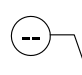

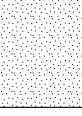

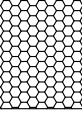

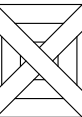


**FLOORCOVERING PLAN LEGEND:**

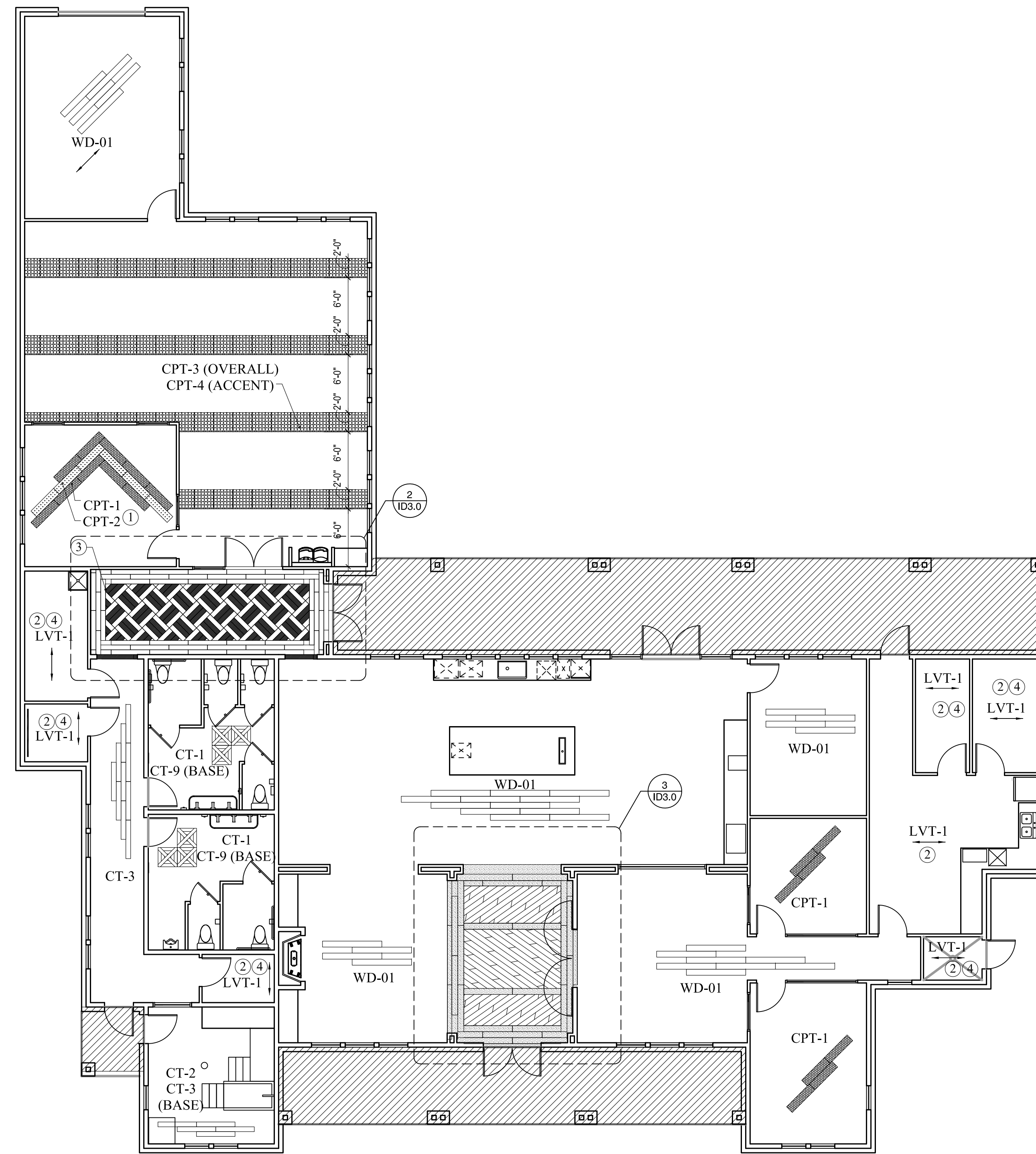
-  FLOORCOVERING PLAN KEY NOTE
-  WD-1 INSTALLED AT A 45 DEGREE ANGLE
-  WD-2
-  CPT-2
-  CPT-1
-  HATCHING FOR NOT IN SCOPE AREAS
-  CT-1

**KEY NOTES:**

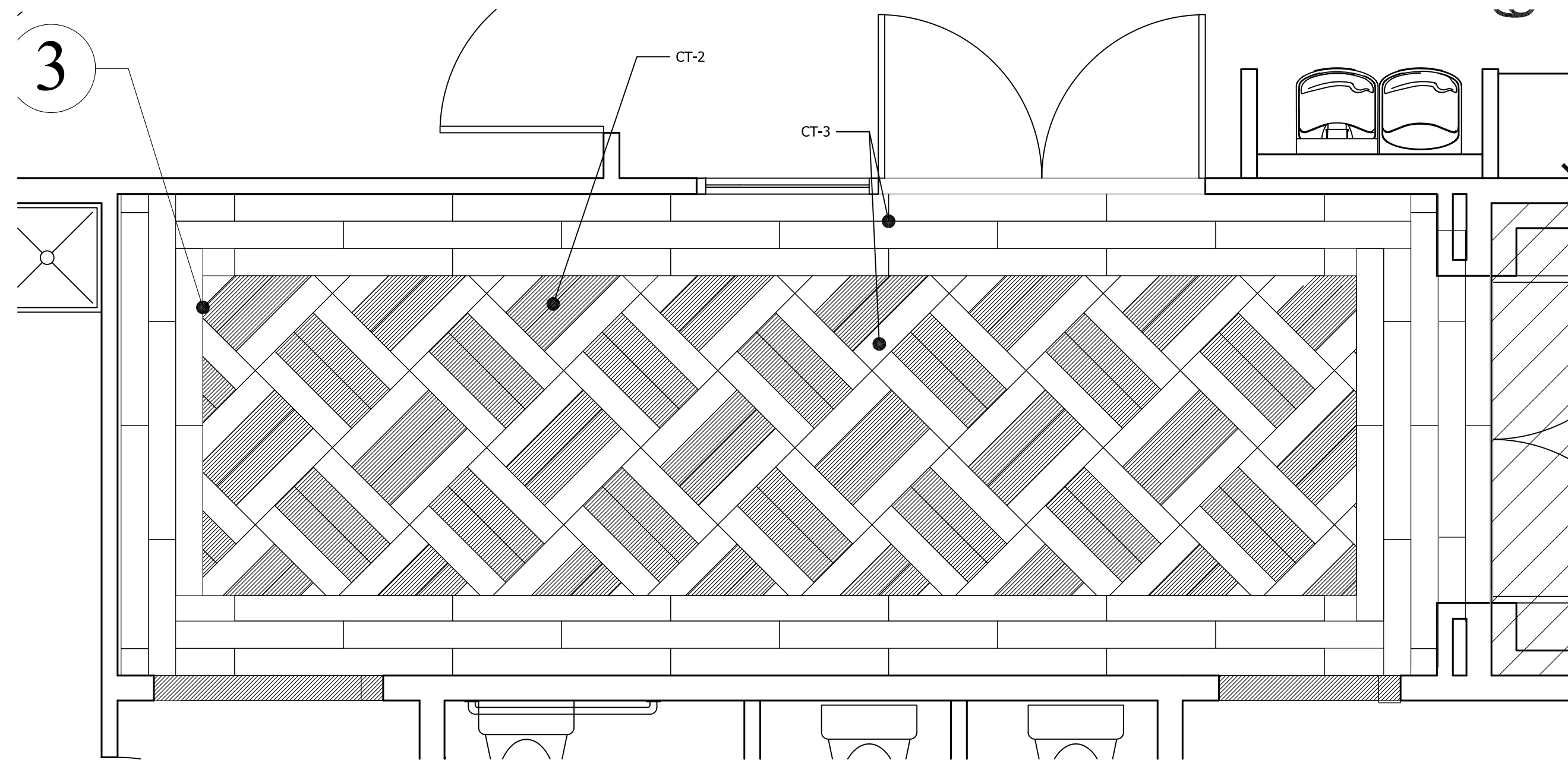
1. INSTALL CARPET IN HERRINGBONE PATTERN TO FILL ENTIRE ROOM WITH FULL SIZE TILES AT 45 DEGREE ANGLES.
2. RUBBER BASE IN THIS ENTIRE ROOM.
3. FLOOR ACCENT TILE TO ALIGN WITH CEILING POP-UP.
4. ALTERNATE FLOORING MATERIAL OF SEALED CONCRETE ACCEPTABLE IN THIS LOCATION.

**SHEET NOTES:**

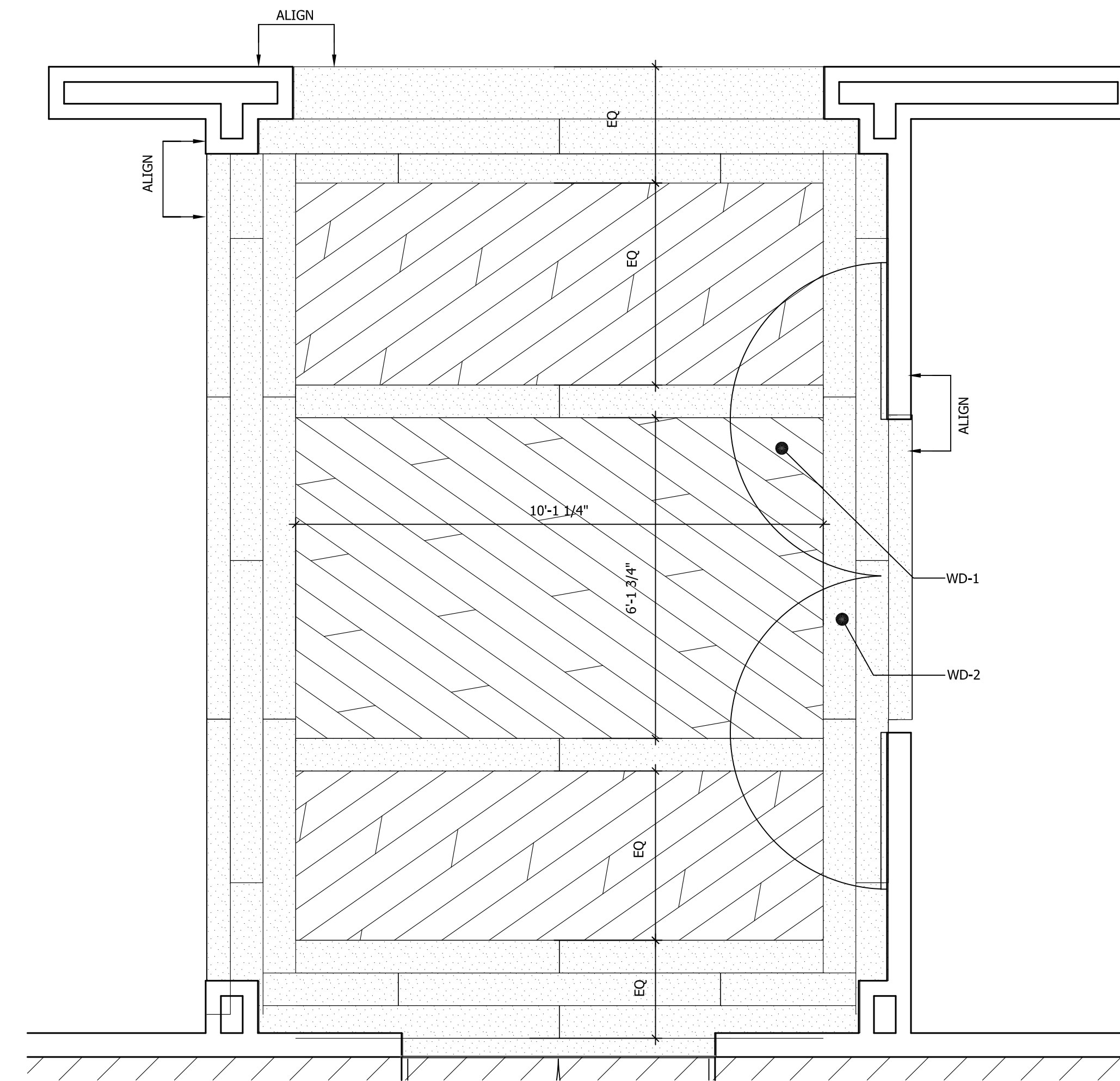
1. ALL FLOORING TRANSITIONS AT DOORWAYS TO OCCUR CENTERED UNDER DOOR; REFER TO ID12.00 FOR TRANSITION DETAILS.
2. ALL BASE MOULDING, DOOR CASINGS, AND DOORS TO BE PAINTED PT2, U.N.O.; SEE DETAILS ON ID0.11 AND ID12.0.
3. ALL BASE MOULDING TO BE 5/ID12.0 U.N.O.
4. REFER TO ID0.10 FOR ABBREVIATIONS AND SCHEDULES.
5. HATCHED WORK NOT IN SCOPE.
6. ALL CARPET ADHESIVES TO BE LOW VOC.



**1 CLUBHOUSE FLOORCOVERING PLAN**  
ID3.0 SCALE: 1/8" = 1'-0"



**2 LOBBY FLOORING DETAIL**  
ID3.0 SCALE: 1/2" = 1'-0"



**3 CLUBHOUSE LOBBY DETAIL**  
ID3.0 SCALE: 1/2" = 1'-0"