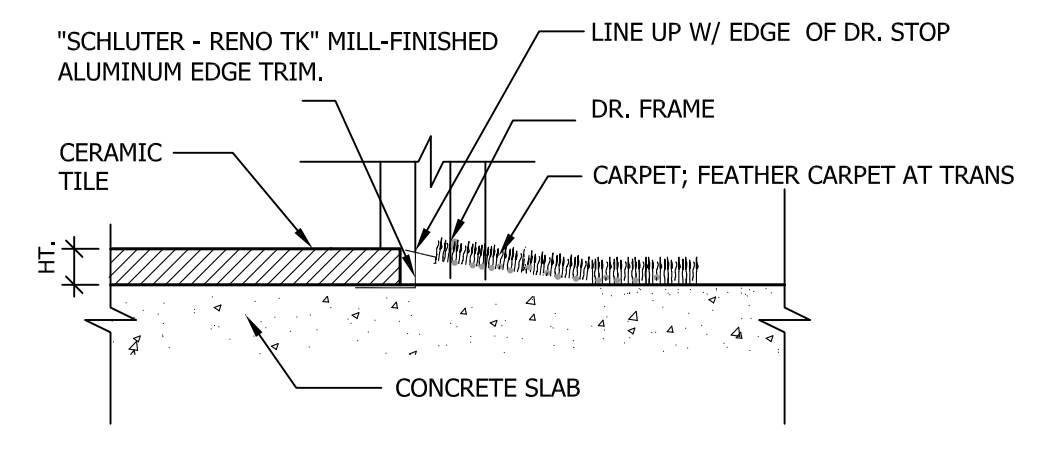
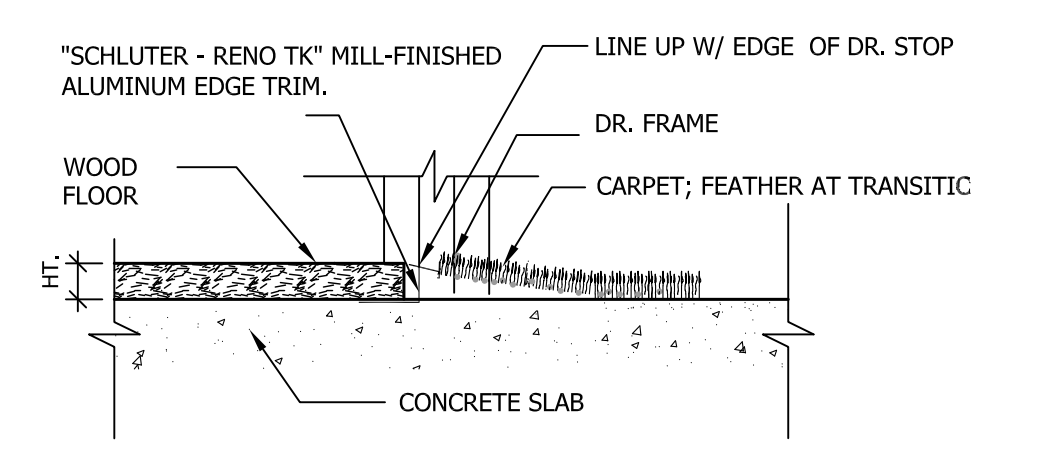


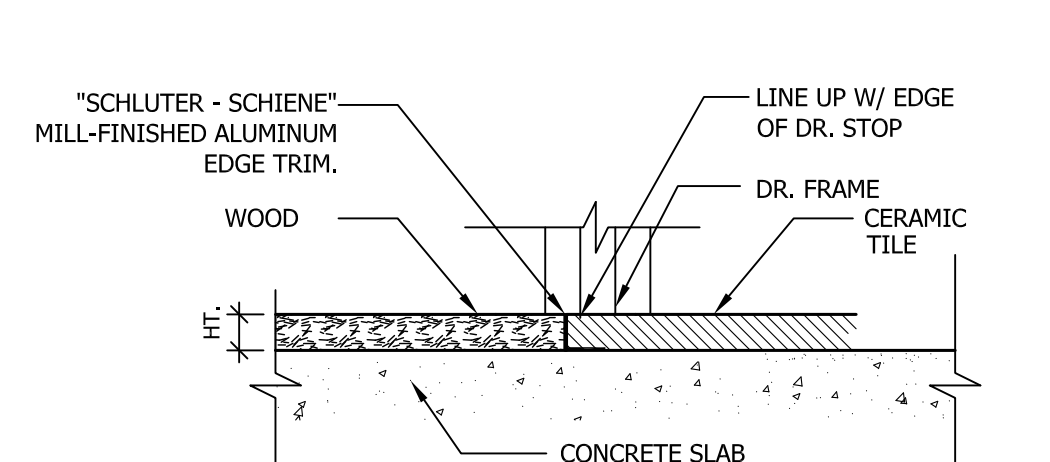
Friday, September 23, 2016 11:49pm I:\G:\Data\109400 Crescent Lockwood\109400 - Crescent Lockwood\109400-12.00 DETAILS.dwg



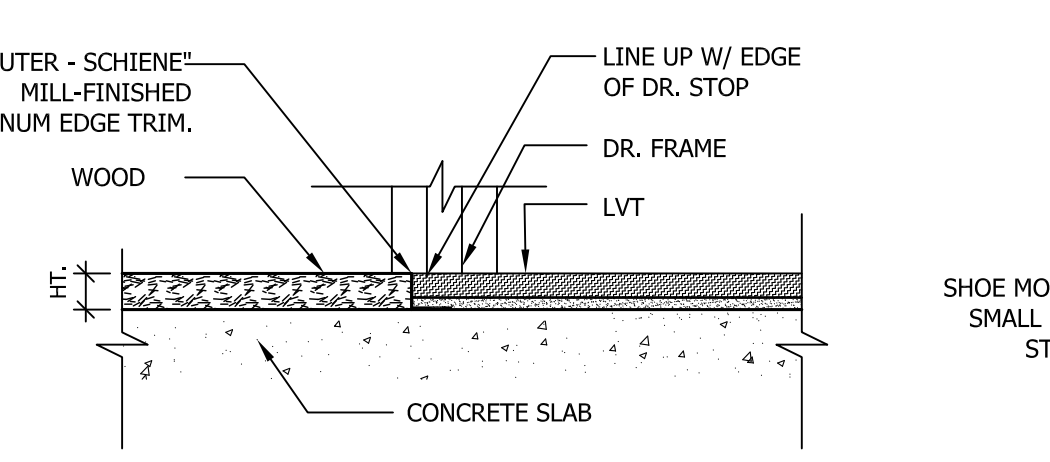
1 TRANSITION - CER. TILE TO CARPET
ID12.0 SCALE: 6" = 1'-0"



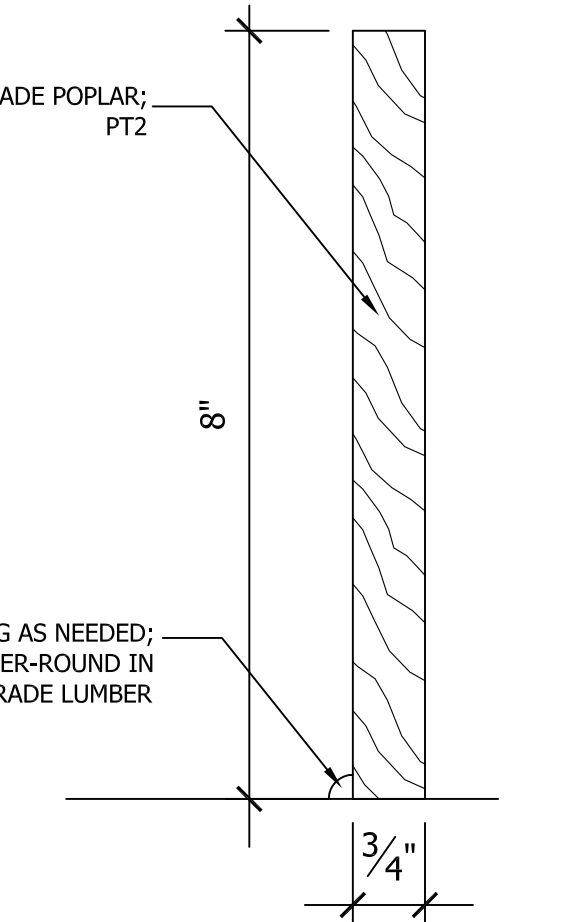
2 TRANSITION - WOOD TO CARPET
ID12.0 SCALE: 6" = 1'-0"



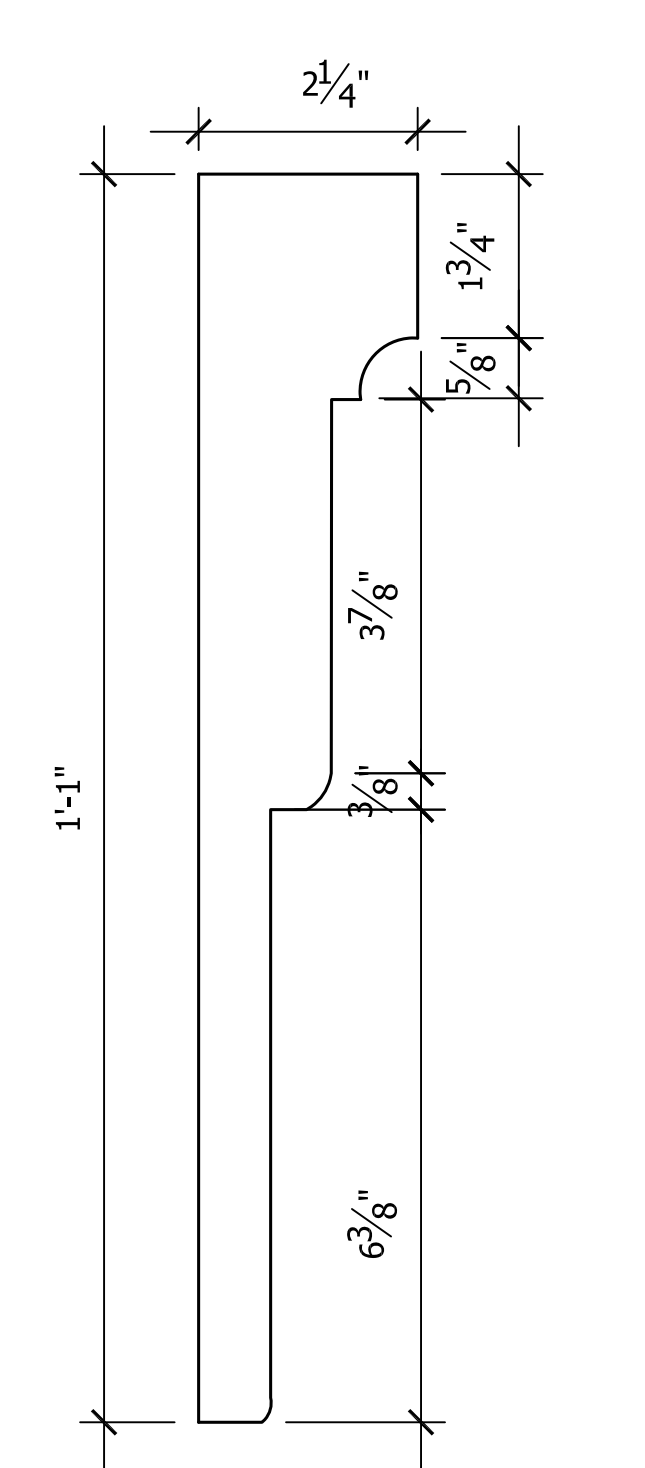
3 TRANSITION - WOOD TO CER. TILE
ID12.0 SCALE: 6" = 1'-0"



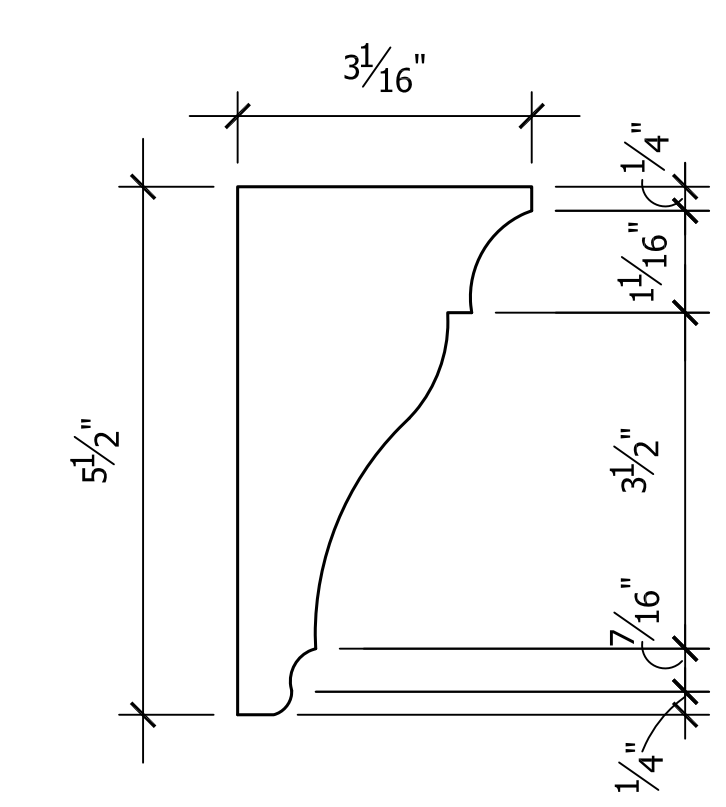
4 TRANSITION - WOOD TO LVT
ID12.0 SCALE: 6" = 1'-0"



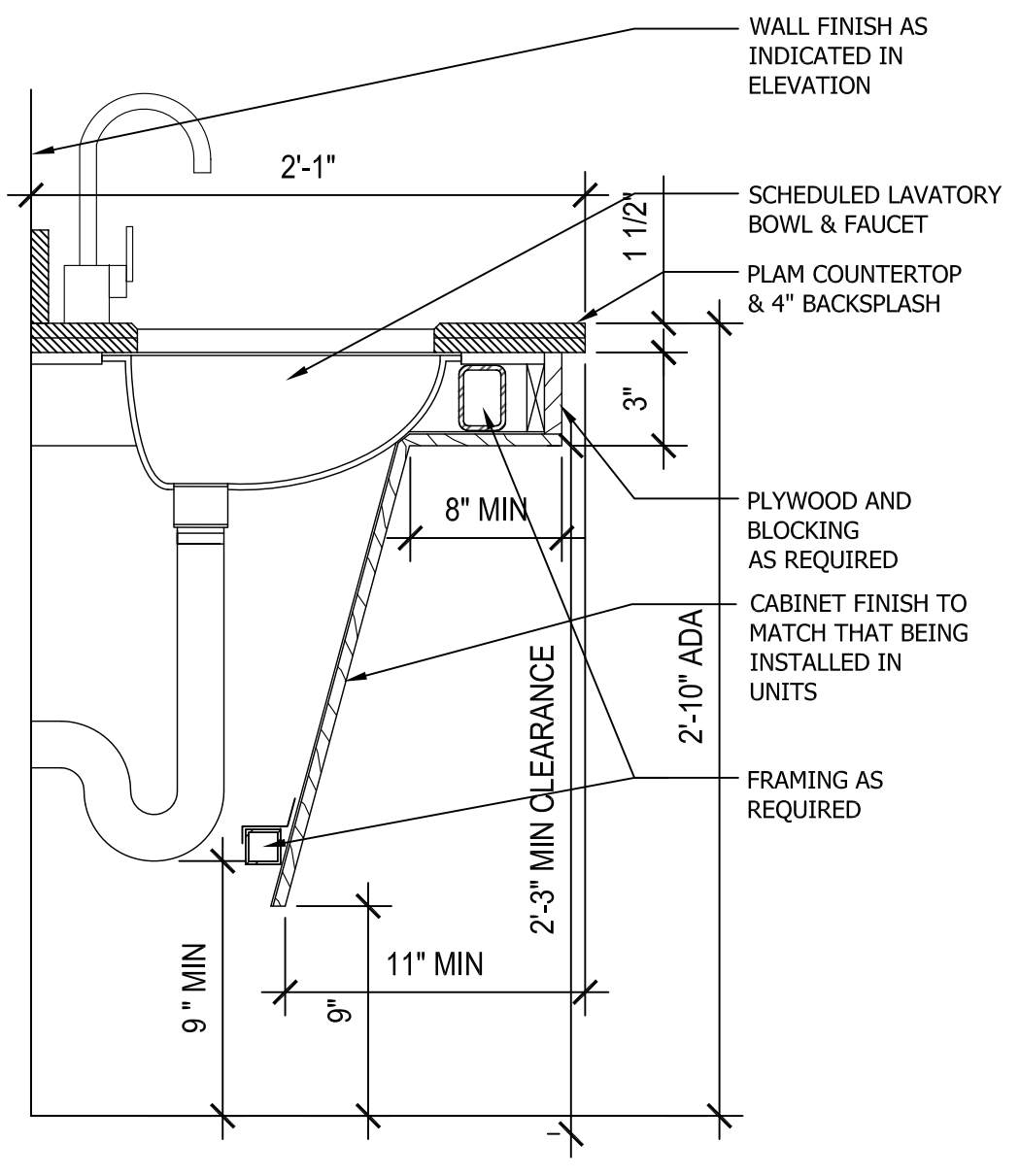
5 TYPICAL WALL BASE
ID12.0 SCALE: 6" = 1'-0"



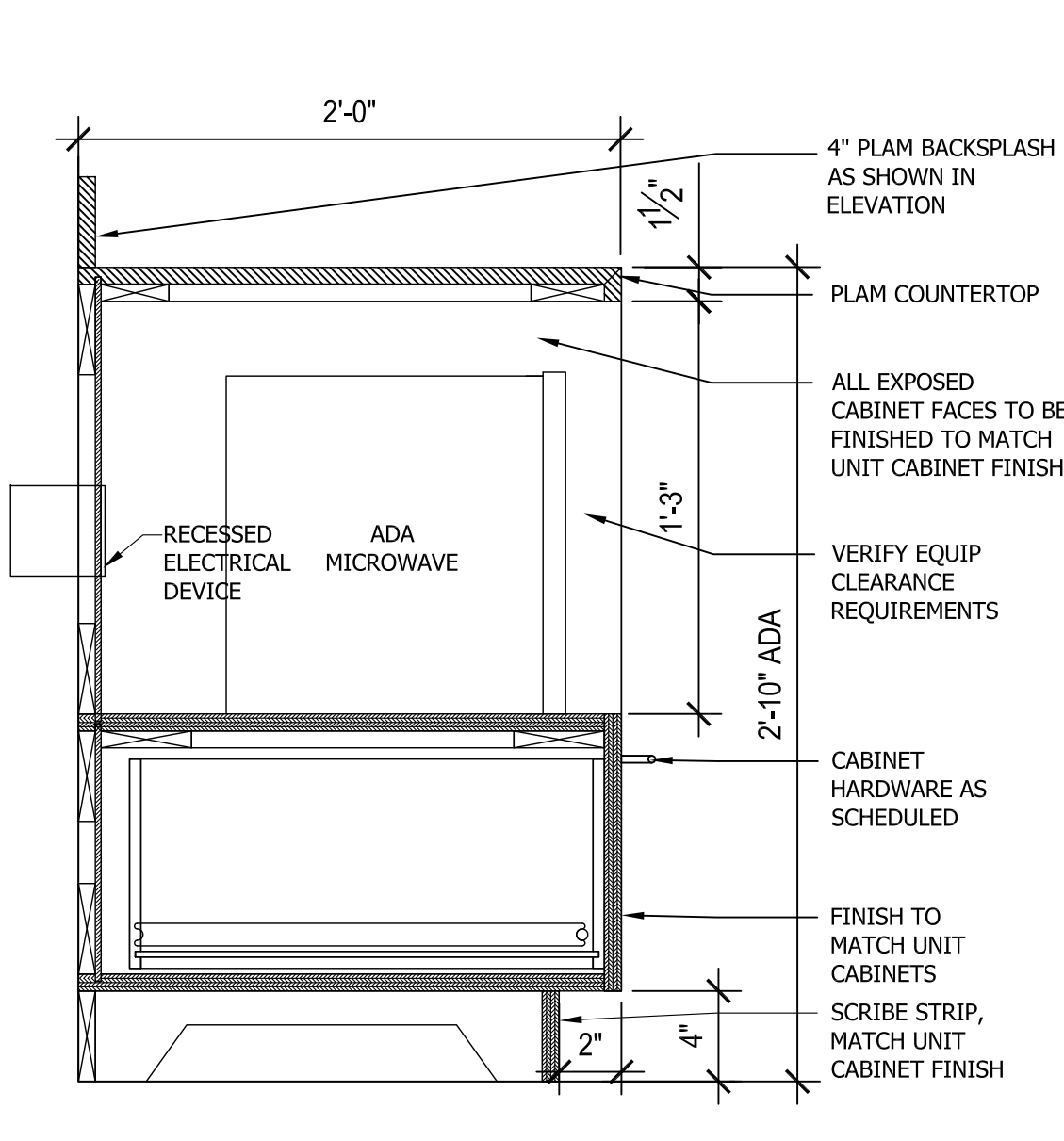
6 CROWN MOULDING- 13"H
ID12.0 SCALE: 6" = 1'-0"



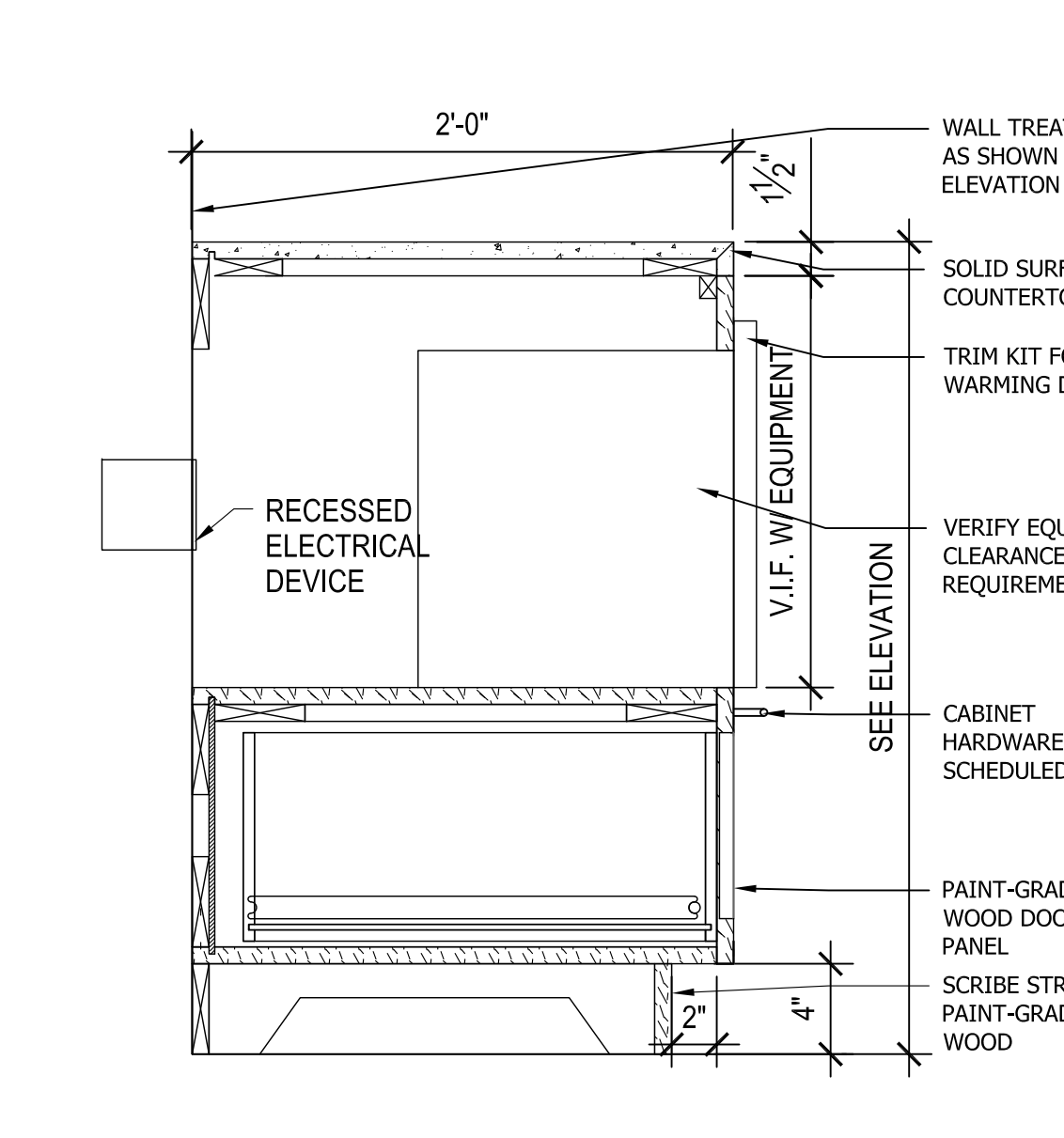
7 CROWN MOULDING- 5-1/2"H
ID12.0 SCALE: 6" = 1'-0"



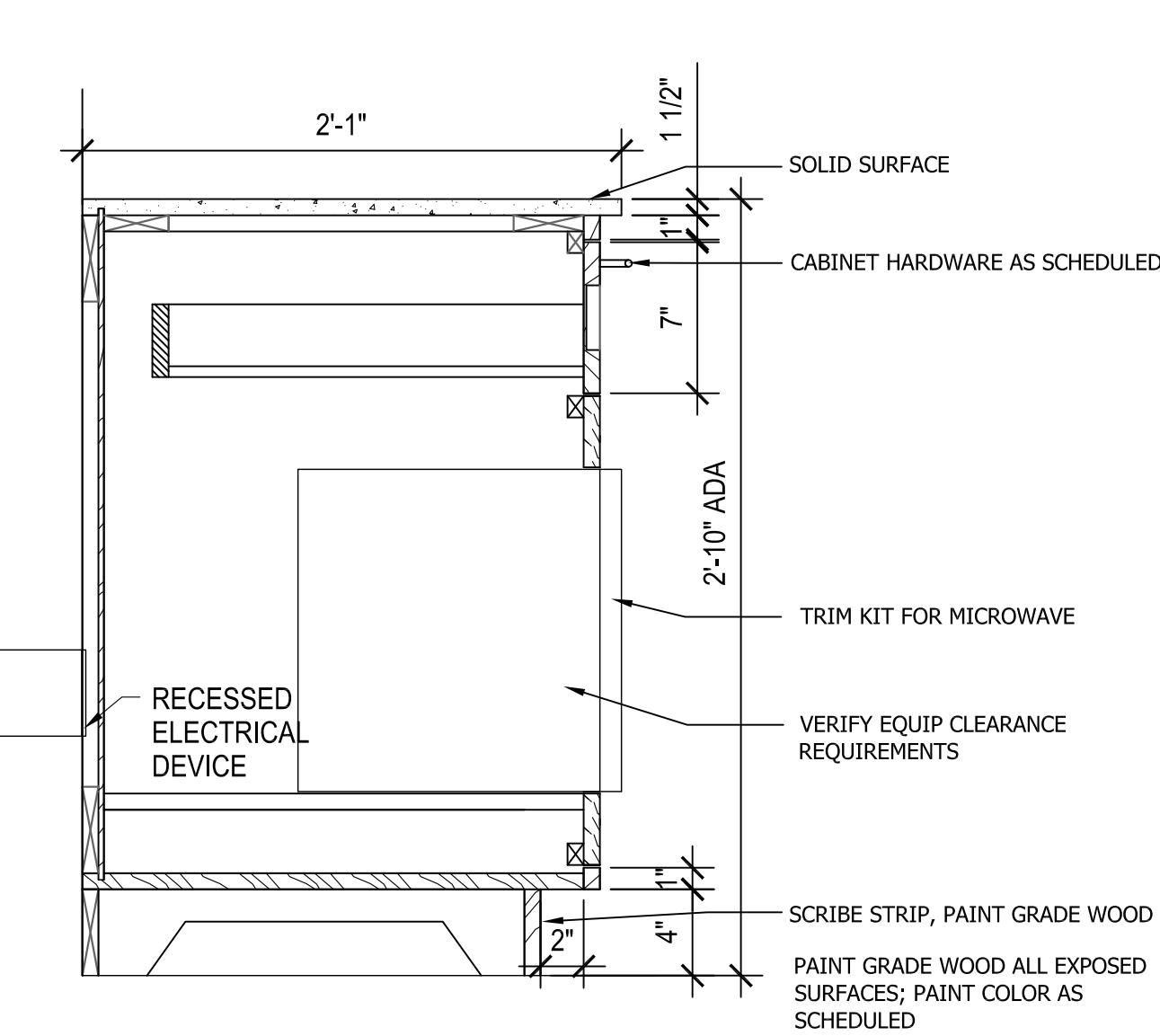
8 WORKROOM SINK
ID12.0 SCALE: 1-1/2" = 1'-0"



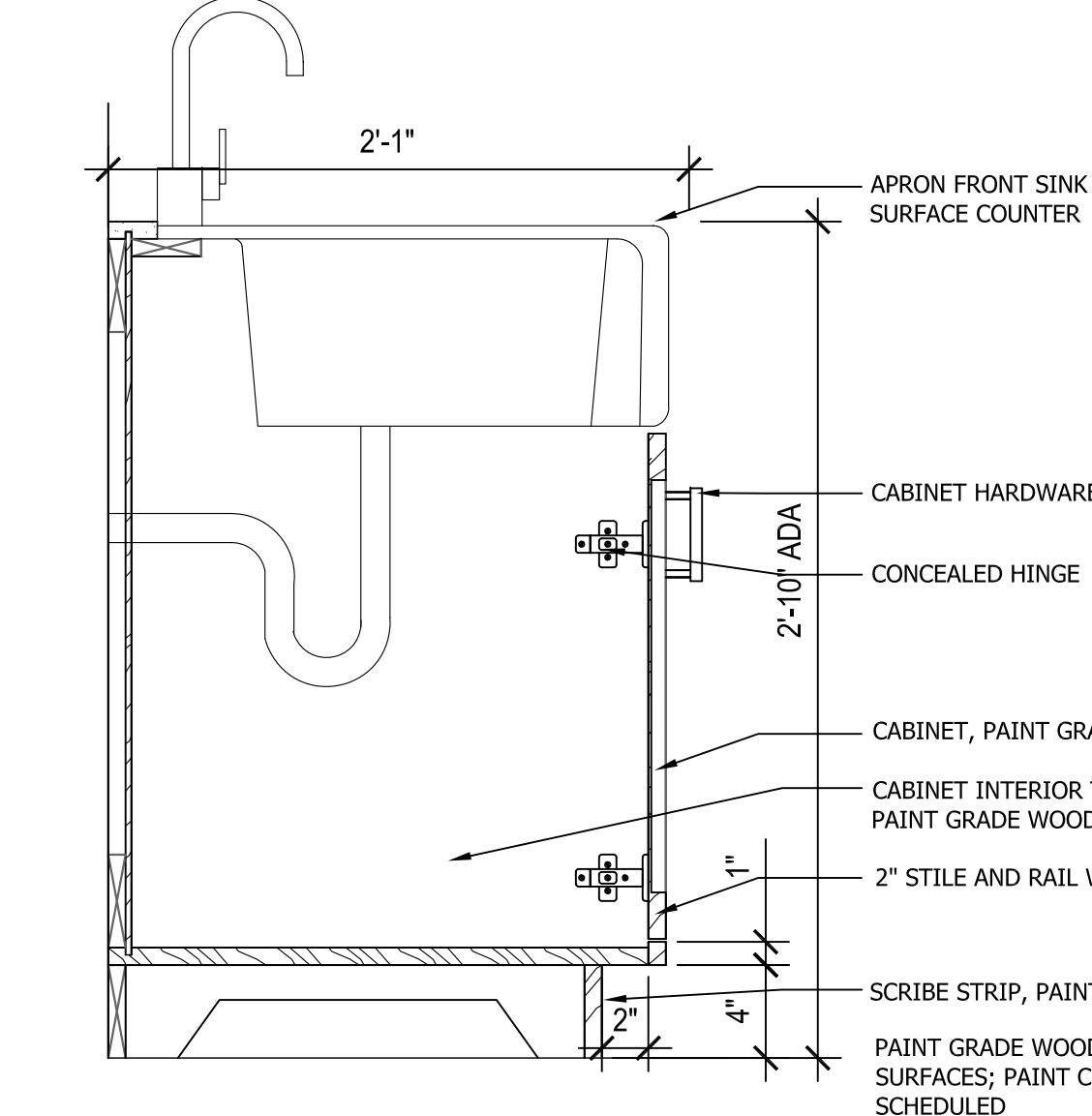
9 WORKROOM MICROWAVE
ID12.0 SCALE: 1-1/2" = 1'-0"



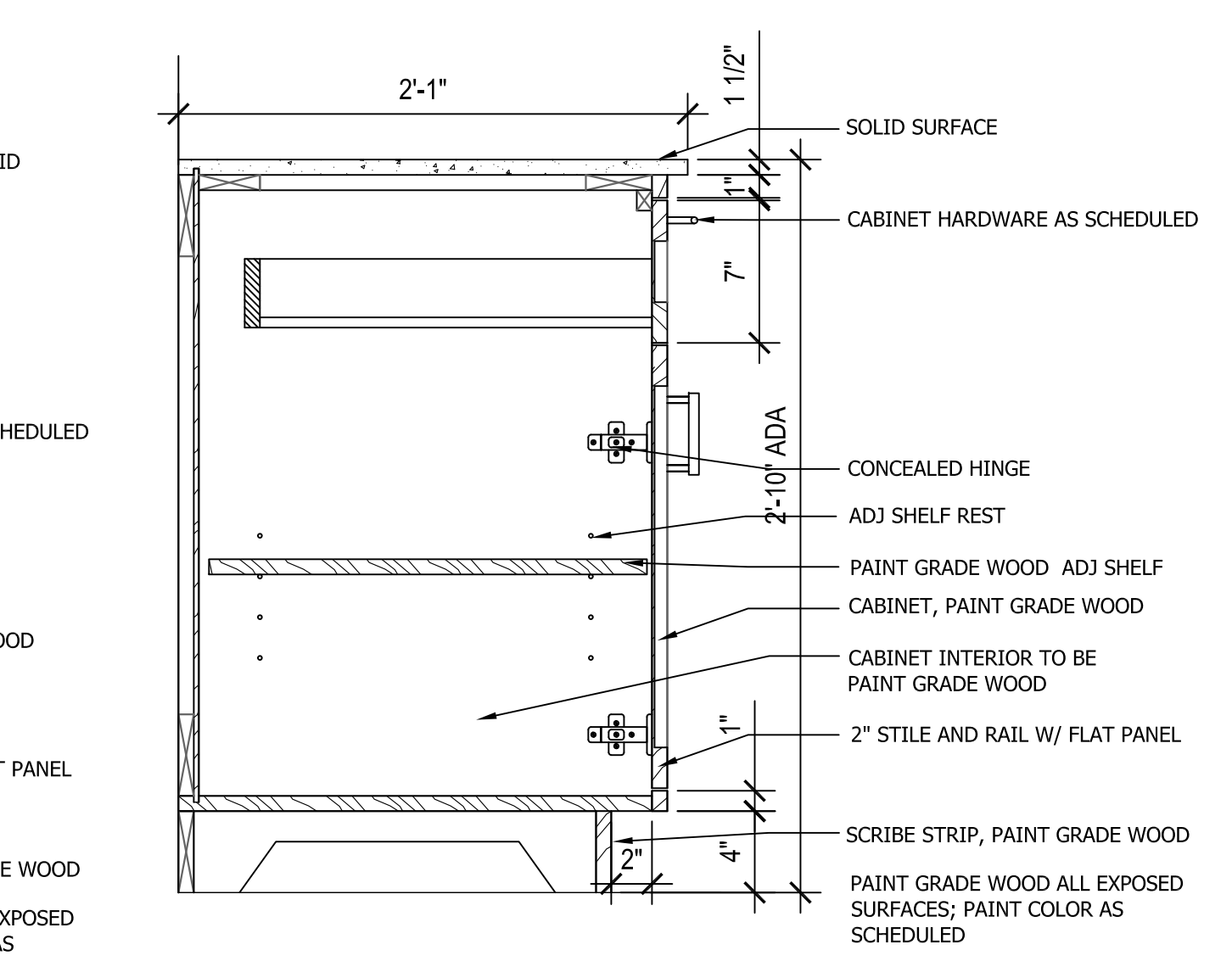
10 CLUB KITCHEN WARMING DRAWER
ID12.0 SCALE: 1-1/2" = 1'-0"



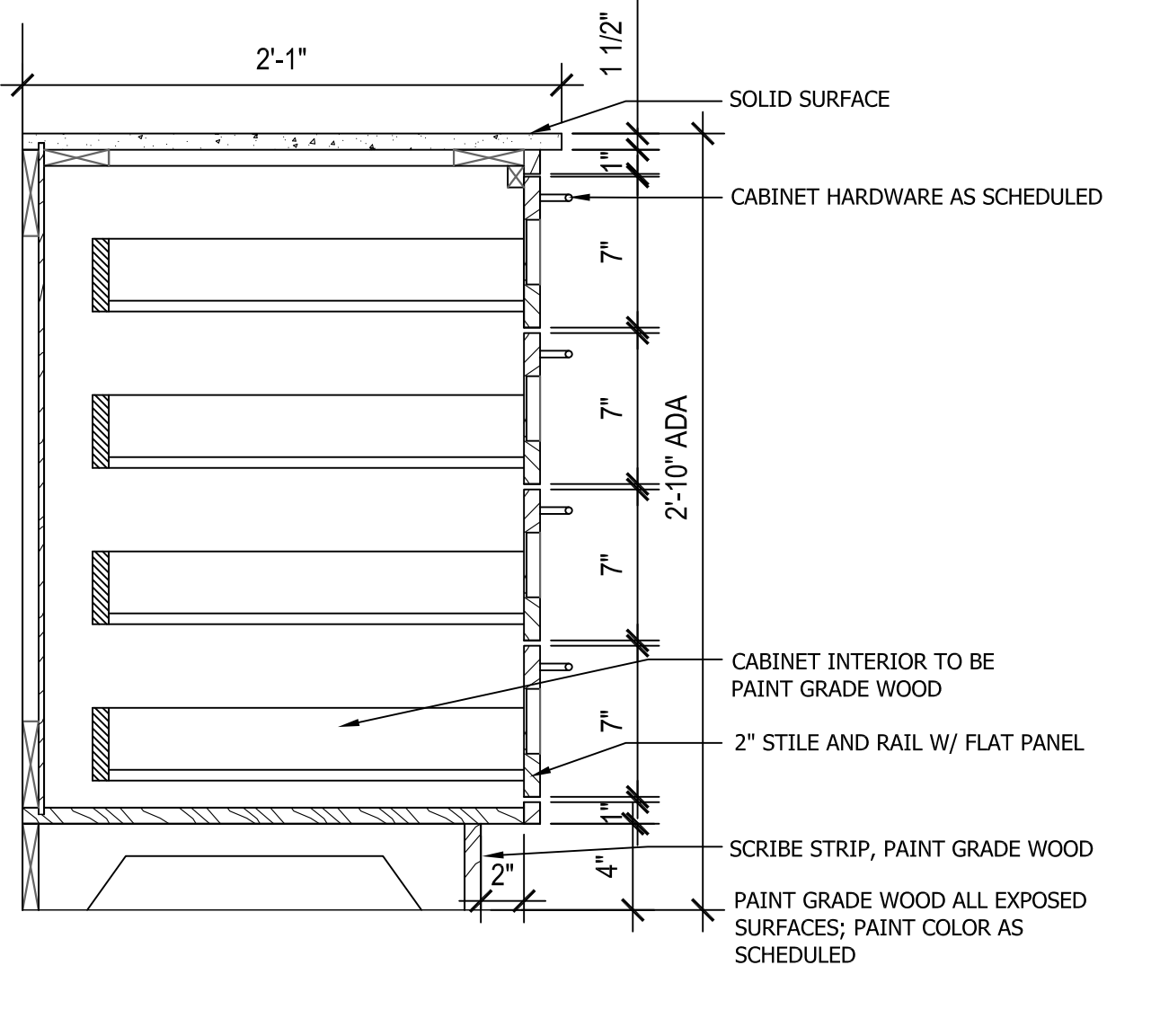
11 CLUB KITCHEN MICROWAVE
ID12.0 SCALE: 1-1/2" = 1'-0"



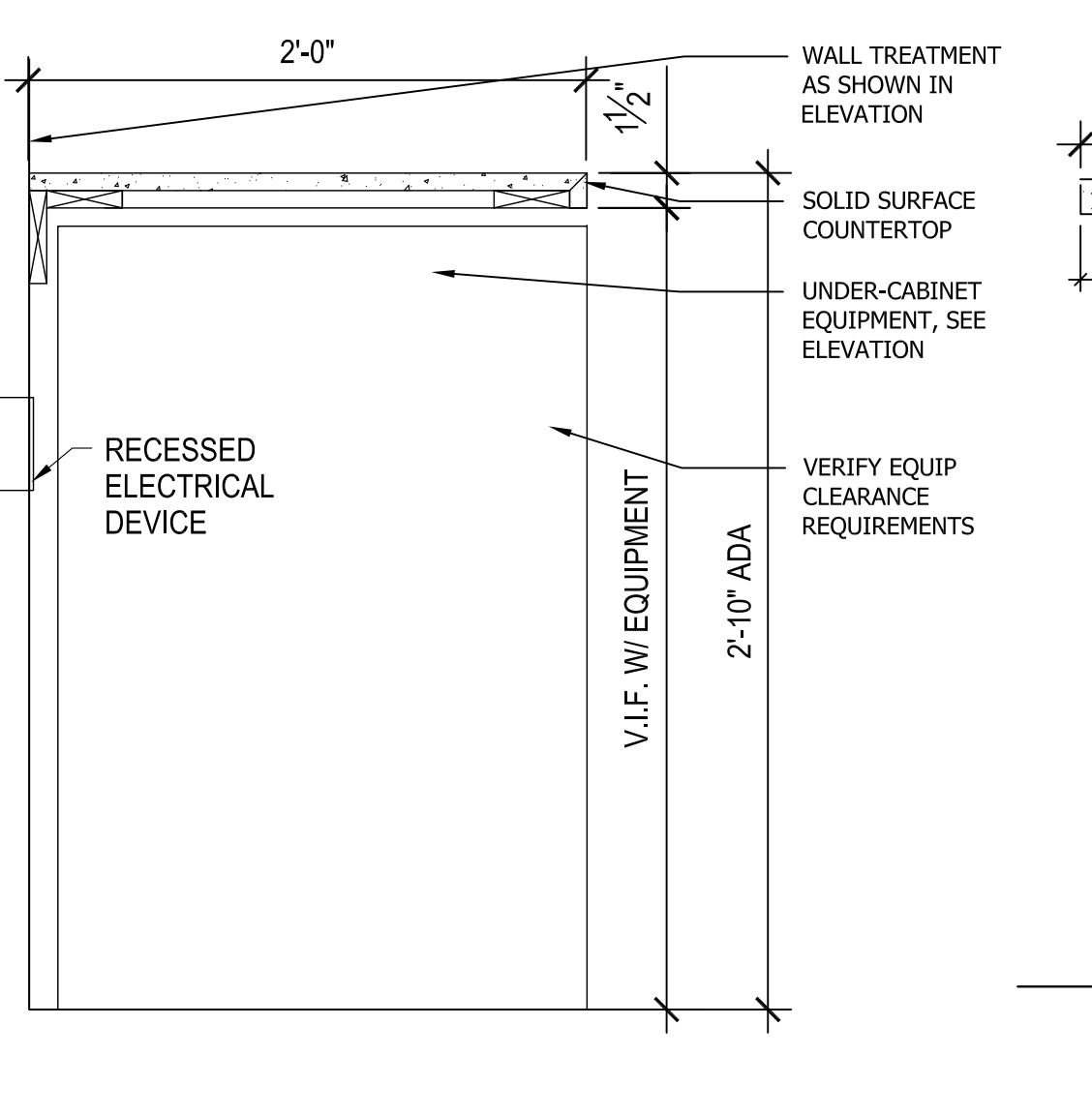
12 CLUB KITCHEN SINK
ID12.0 SCALE: 1-1/2" = 1'-0"



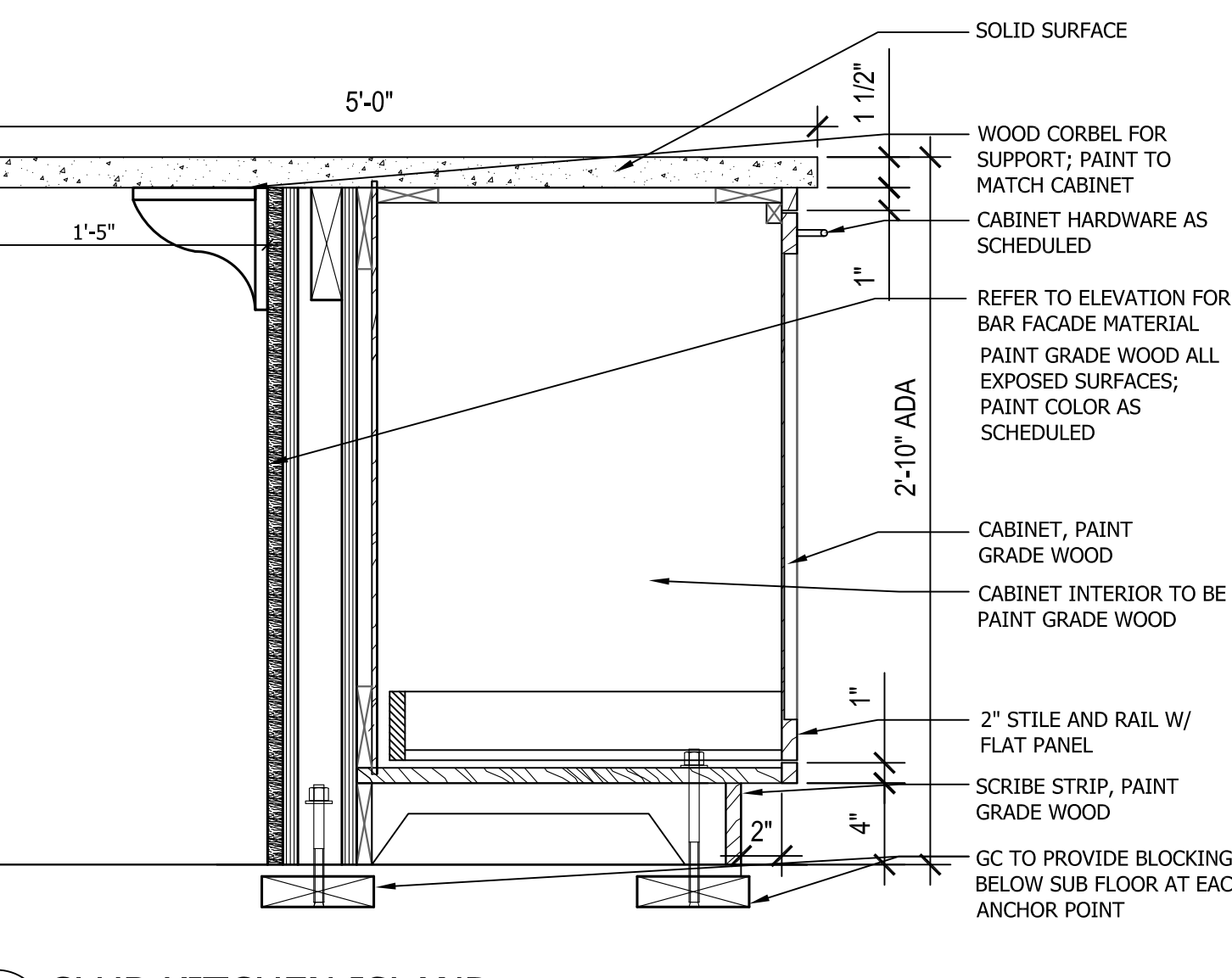
13 CLUBHOUSE TYPICAL LOWER CABINET
ID12.0 SCALE: 1-1/2" = 1'-0"



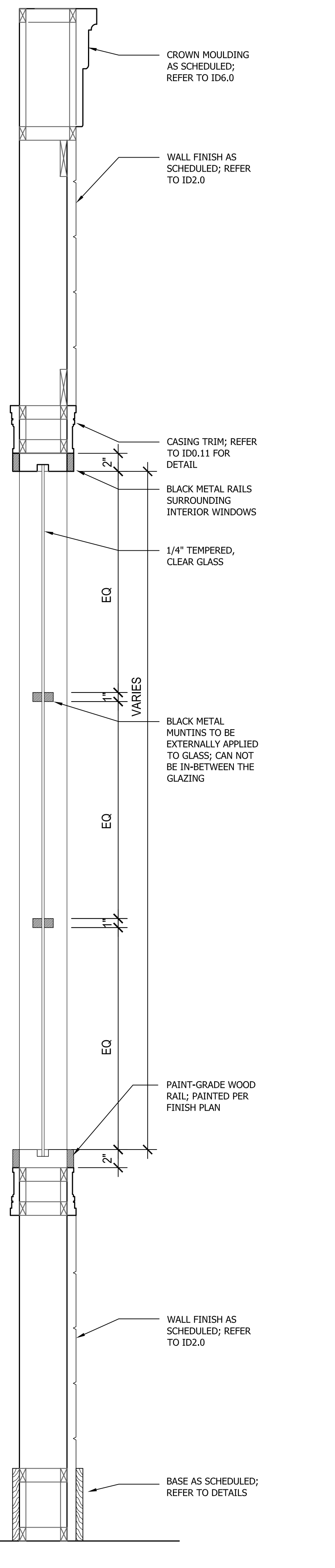
14 CLUB KITCHEN DRAWERS
ID12.0 SCALE: 1-1/2" = 1'-0"



15 CLUB KITCHEN LOWER CABINET WITH EQUIPMENT
ID12.0 SCALE: 1-1/2" = 1'-0"



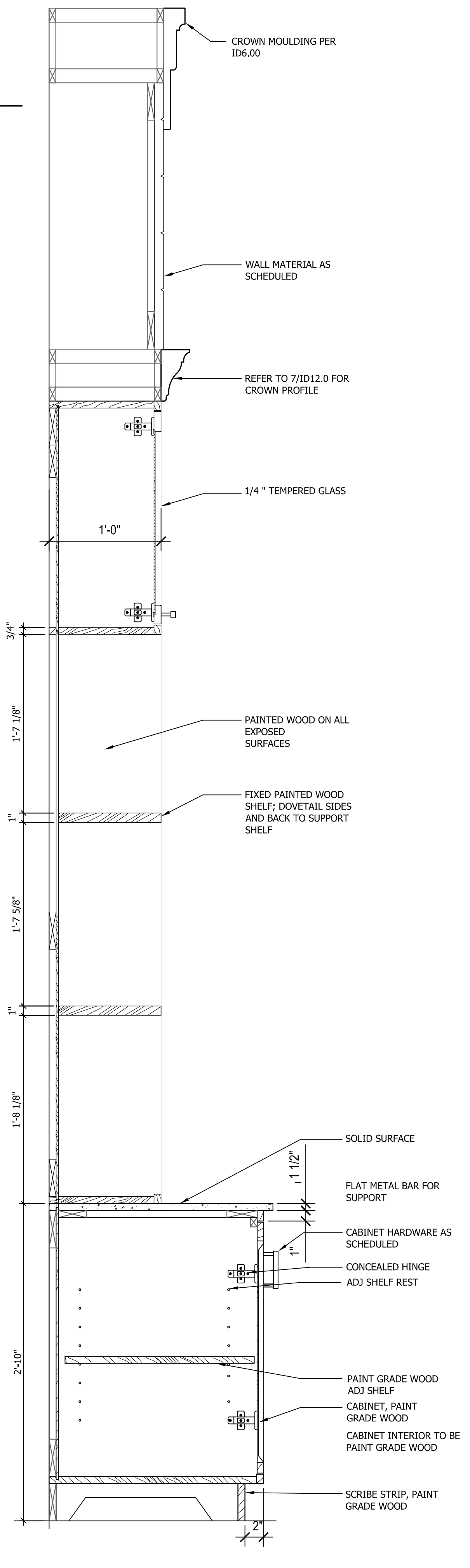
16 CLUB KITCHEN ISLAND
ID12.0 SCALE: 1-1/2" = 1'-0"



17 TYPICAL INTERIOR WINDOW
ID12.0 SCALE: 1-1/2" = 1'-0"



18 NOT USED
ID12.0 SCALE: 1-1/2" = 1'-0"



19 LIVING ROOM MILLWORK
ID12.0 SCALE: 1-1/2" = 1'-0"

INTEC
INTEC Group, Inc.
214 W. TREMONT AVENUE
SUITE 301
CHARLOTTE, NC 28203
P: 704.372.7910
www.intecgroup.net

CRESCENT COMMUNITIES

PROJECT _____

CRESCENT LOCKWOOD
Franklin, TN
INTERIOR DESIGN

STAMP _____

DRAWING LOG
PERMIT SET - FOR CONSTRUCTION
08/17/16

SHEET INFORMATION
DATE OF DRAWING: 08/17/16
DRAWN BY: CPD
JOB NUMBER: 1094.01

INTERIOR DETAILS

ID12.0