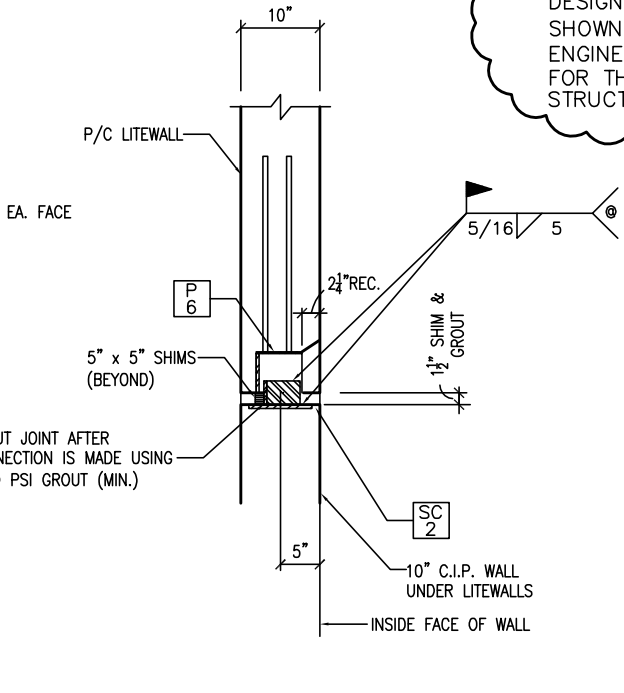
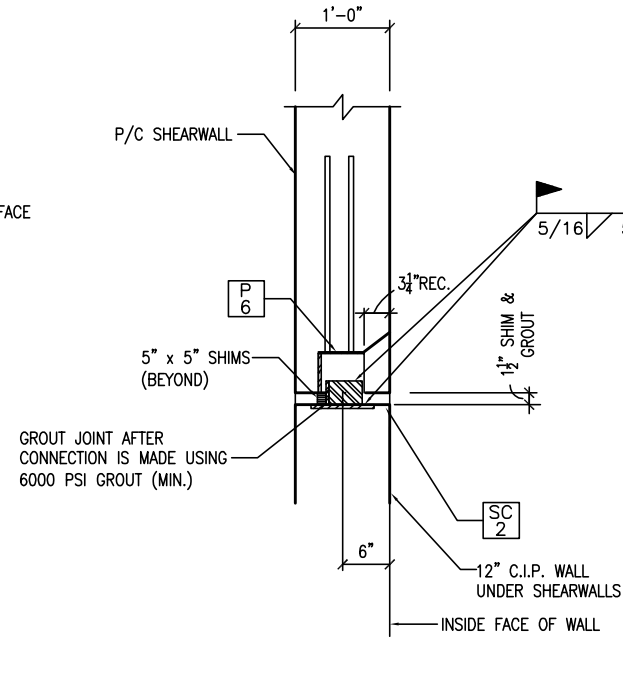
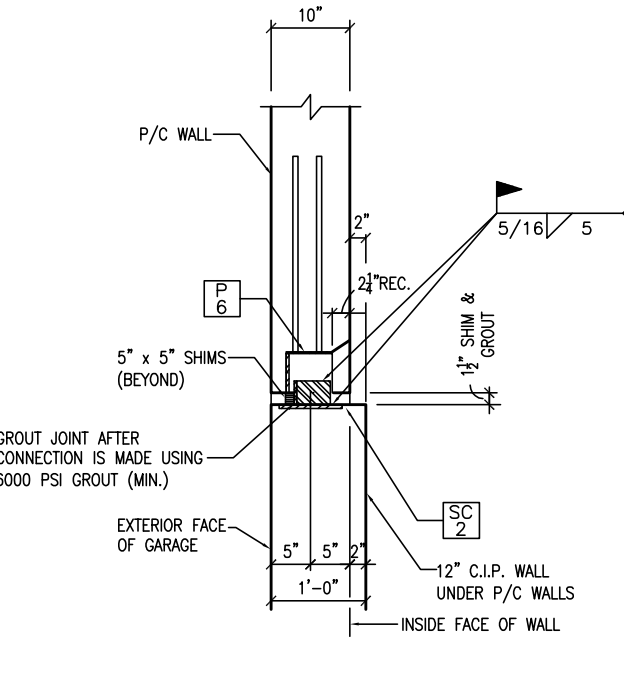
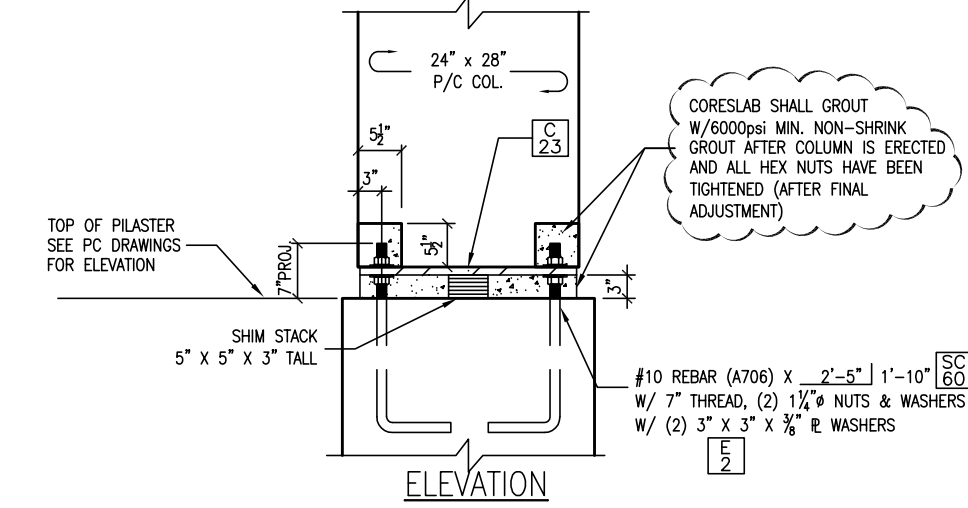
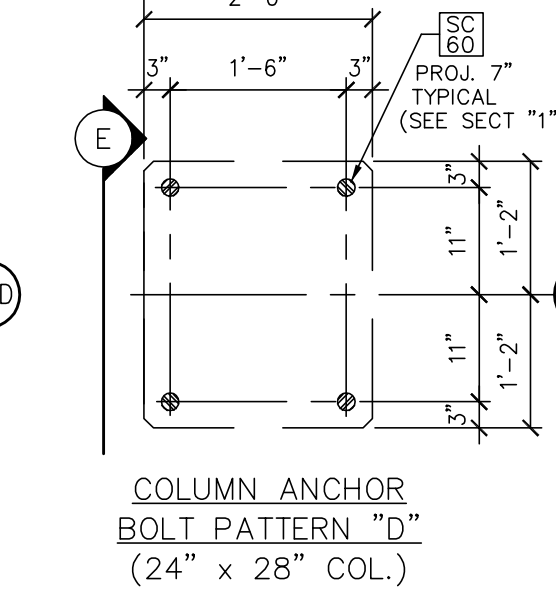
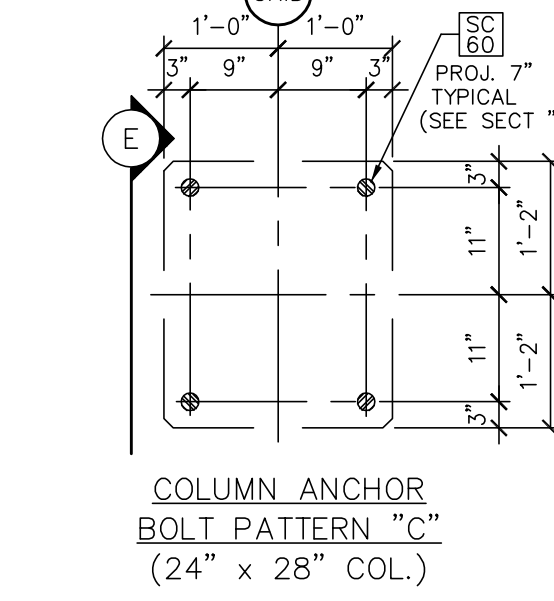
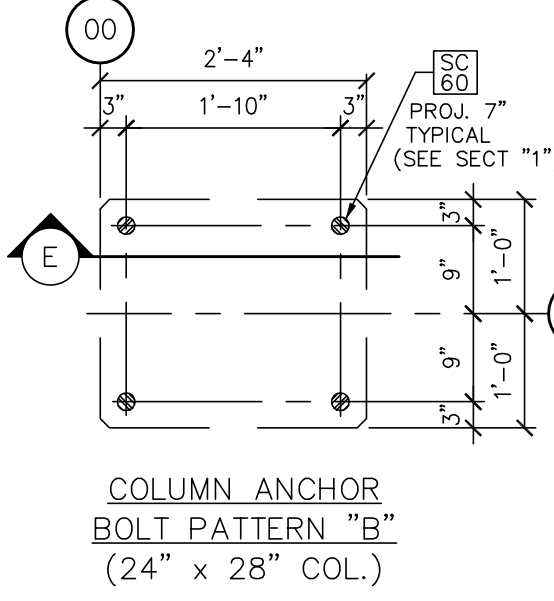
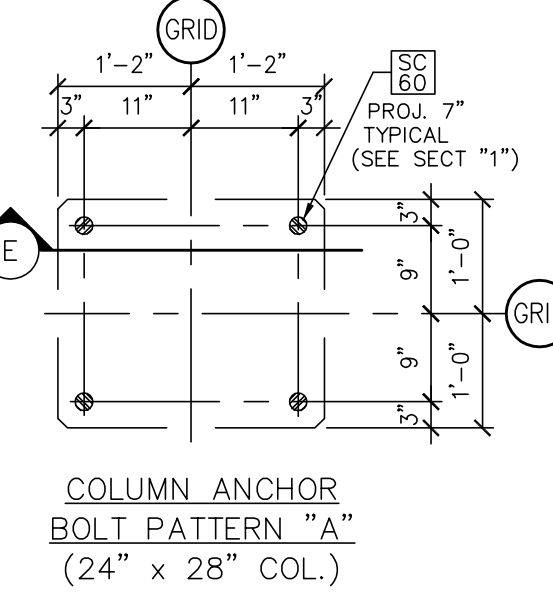
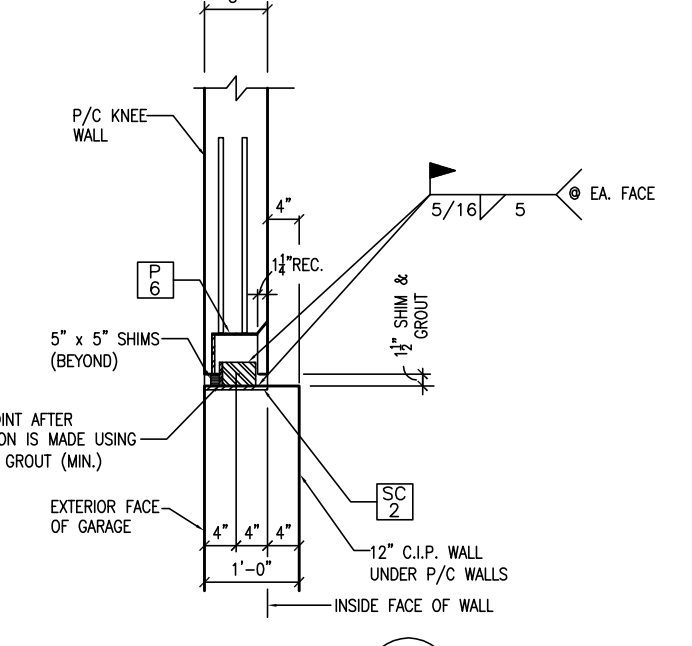
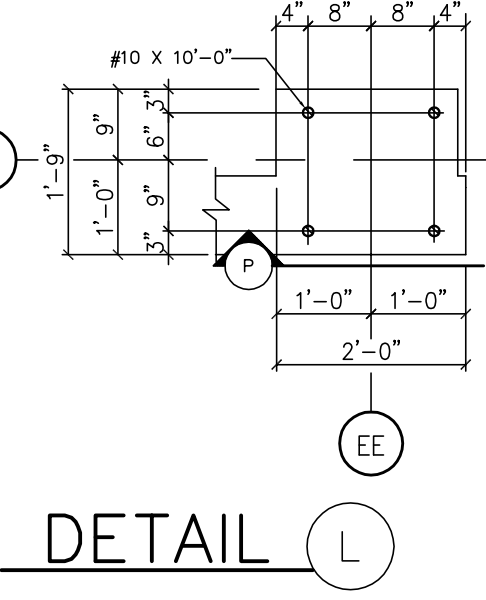
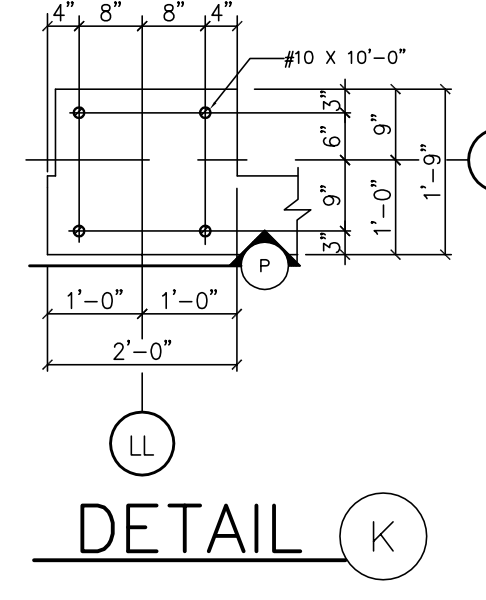
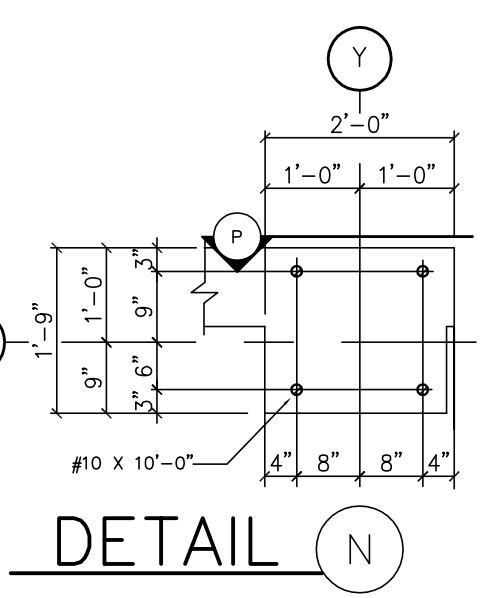
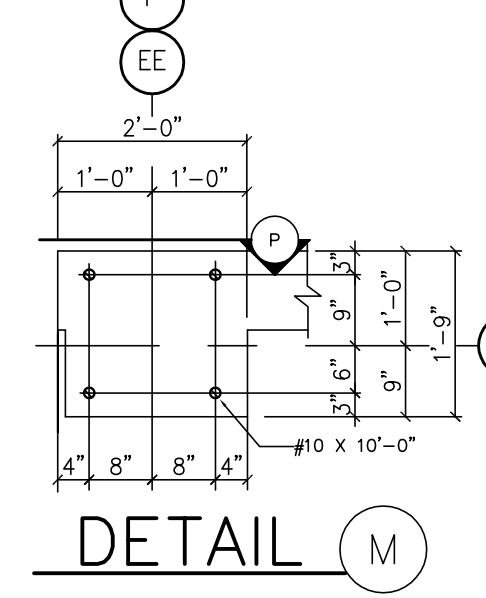
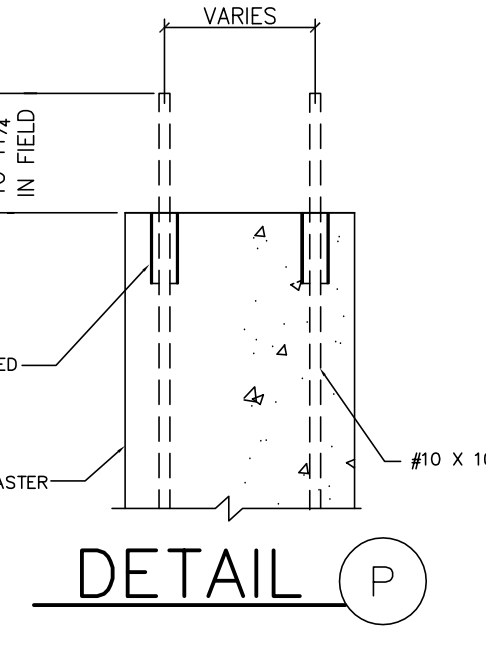
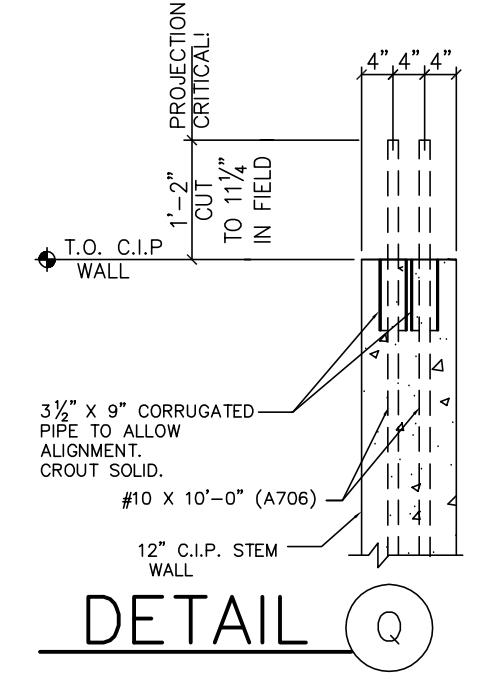


**FOUNDATION PLAN
EMBED LAYOUT**
SCALE: 3/32" = 1'-0"

G.C. NOTES:
1.) ALL CONTRACTOR MATERIAL, SC1, SC2, SC-3, SC-60 AND #11 DOWELS SHALL BE WITHIN 1/8" OF THE CORRECT PLACEMENT. ANCHOR BOLTS & #11 DOWELS SHALL BE PLUMB & TRUE.
2.) THE ANCHOR BOLTS & DOWELS SHALL BE PROTECTED FROM DAMAGE & RUST BY THE G.C. IF NECESSARY TO CLEAN AND RE-THREAD, THE G.C. SHALL HAVE THIS COMPLETED PRIOR TO THE START OF P/C ERECTION.

LEGEND

TOP OF COLUMN	—	TOP OF COLUMN ELEVATION
COL LENGTH	—	COLUMN LENGTH
BOT. OF COLUMN	—	BOTTOM OF COLUMN ELEV.
TOP OF C.I.P.	—	TOP OF C.I.P. CONCRETE
○		COLUMN MARK NUMBER
○		INVENTORY CONTROL NUMBER
○		COLUMN DESIGN



CORES LAB STRUCTURES ENGINEERING IS LIMITED TO THE DESIGN OF THE INDIVIDUAL PIECES AND CONNECTIONS SHOWN HERE BASED ON THE LOADS FURNISHED BY THE ENGINEER OF RECORD. WE DO NOT ACCEPT RESPONSIBILITY FOR THE OVERALL STRUCTURAL ADEQUACY OF THE STRUCTURE.

FOR APPROVAL
September 1, 2015
NOT FOR CONSTRUCTION
CORES LAB STRUCTURES (ARIZ) INC.



5026 South 43rd Avenue
P.O. Box 18150
Phoenix, Arizona 85005
(602) 237-3875

**CORES LAB
STRUCTURES
(ARIZ) INC.**

Architect: TODD & ASSOCIATES
Engineer: CTS
Customer: CHASSE
Project Leader: BILL YOUNG
Checked: A.C.
Date: 9/1/2015

Structure: CRESCENT HIGHLAND PARKING GARAGE
Location: PHOENIX, ARIZONA

Sheet Number
PC-1.01
Job Number
15020