

FOR CONSTRUCTION

**ELIZABETH**  
ON SEVENTH

CRESCENT COMMUNITIES

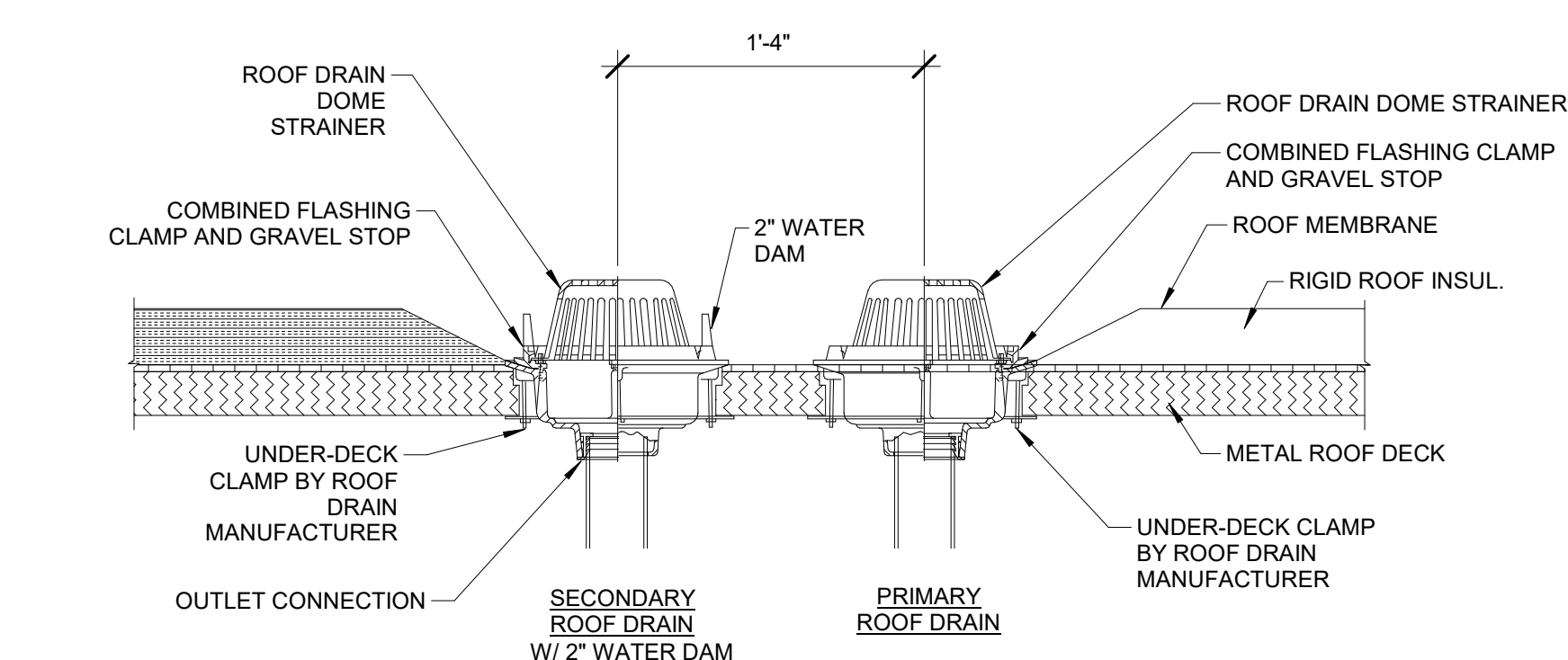
LOCATION / CHARLOTTE, NC  
PROJECT # / 19CRC150  
DATE / 04.22.2020  
DRAWN / DSW

COPYRIGHT 2019 BB+M ARCHITECTURE PLLC.

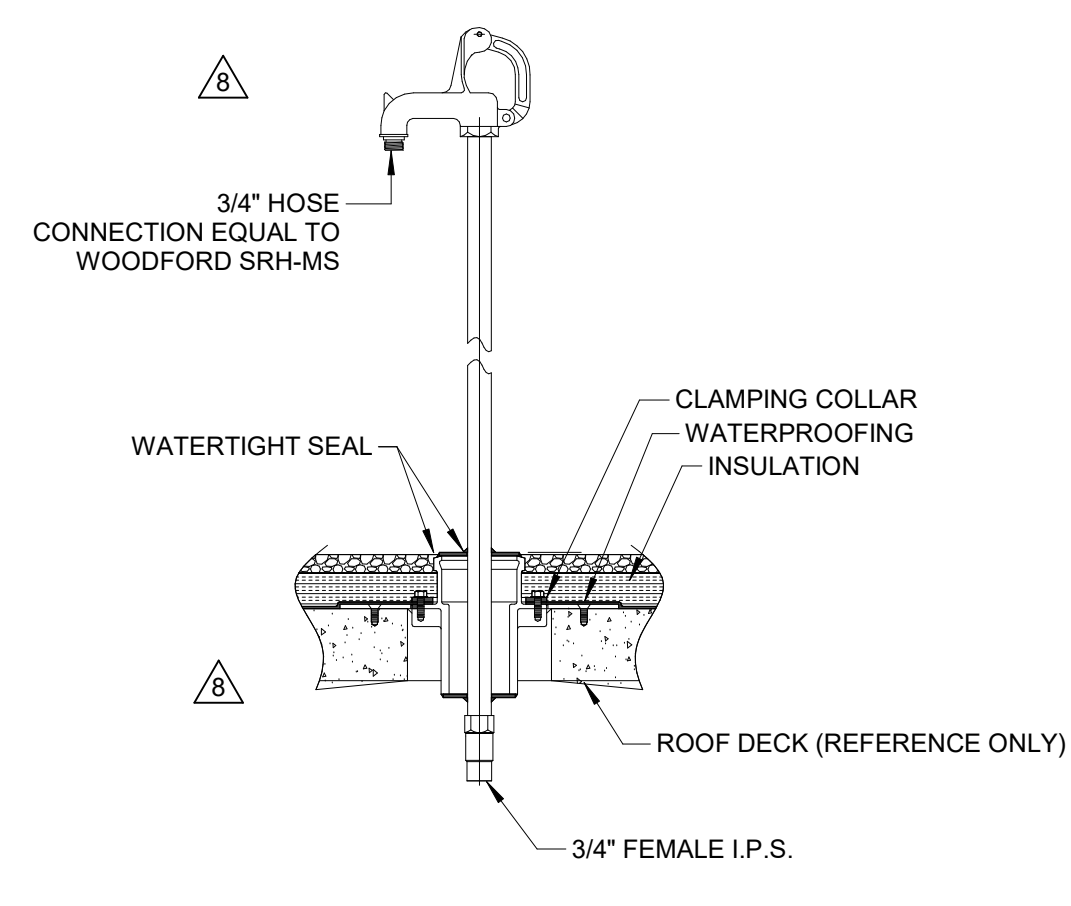
Revisions		
No.	Description	Date
8	FULL BLDG CYCLE 2 - OWNER COMMENTS	05/21/2020
9	FULL BLDG CYCLE 3	06/26/2020

DETAILS - PLUMBING

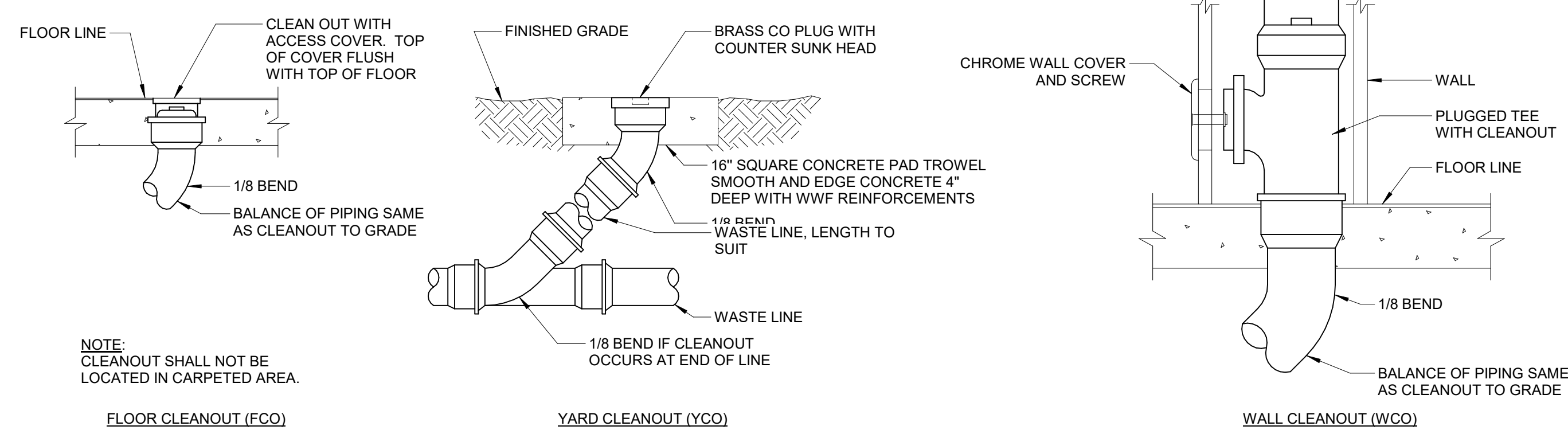
**P0.02**



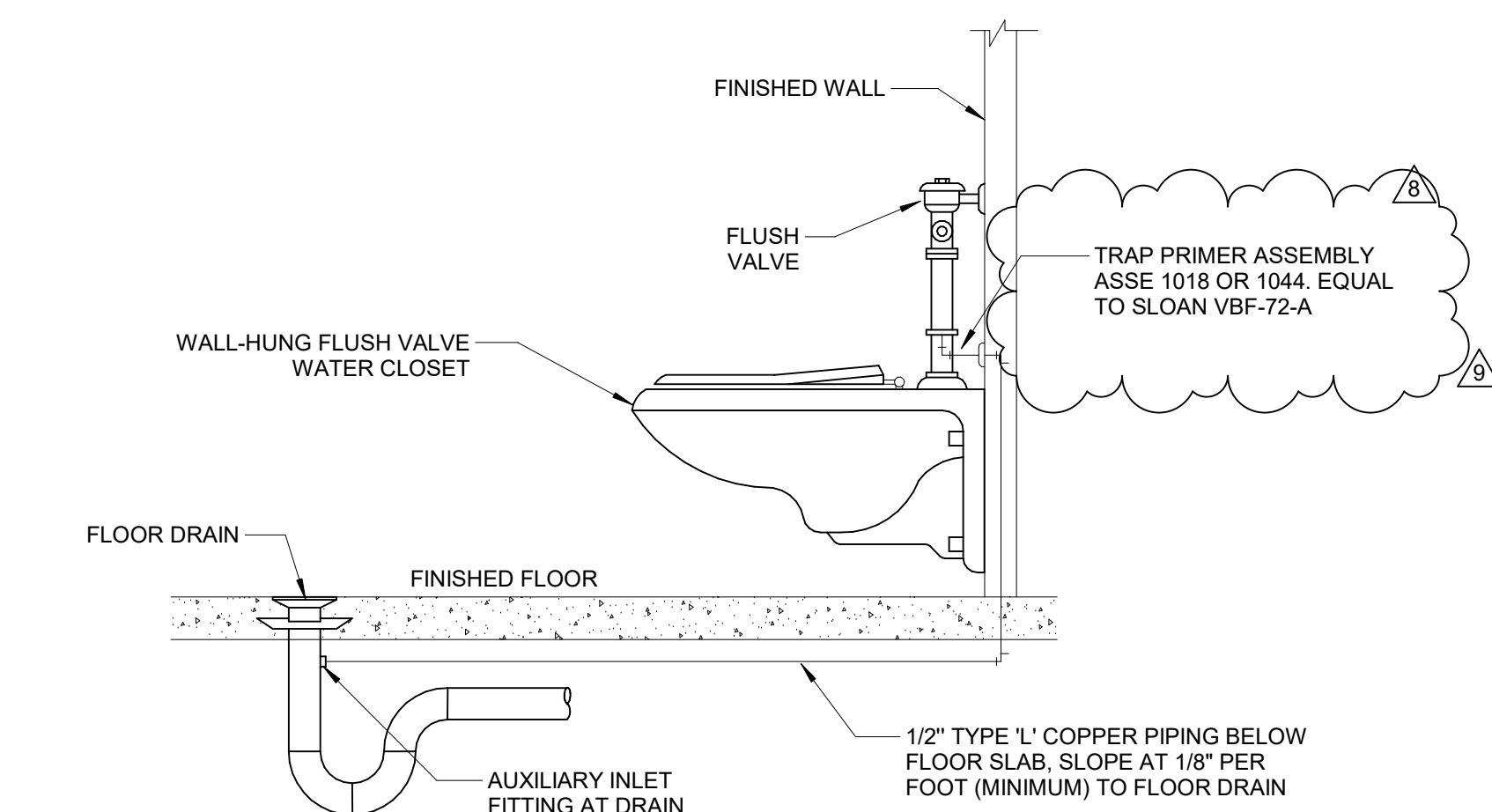
**3 ROOF DRAIN AND OVERFLOW DRAIN DETAIL**  
SCALE: NTS



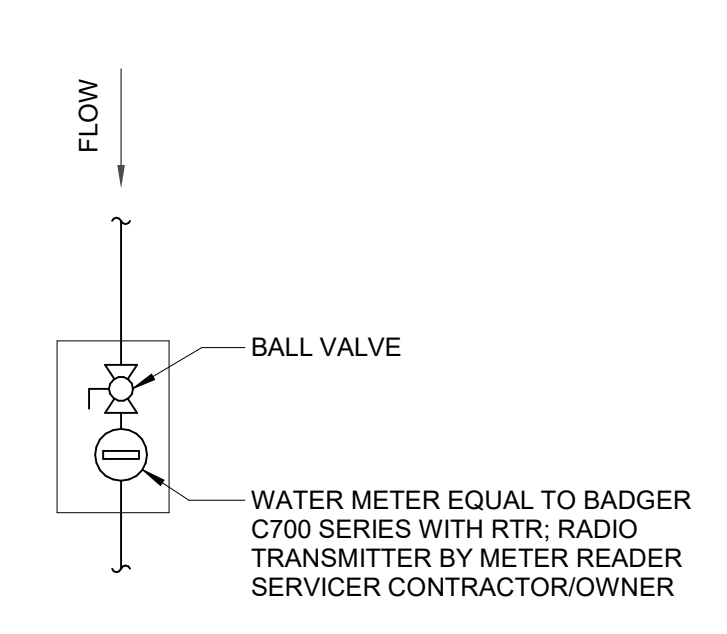
**2 ROOF HOSE BIBB DETAIL**  
SCALE: NTS



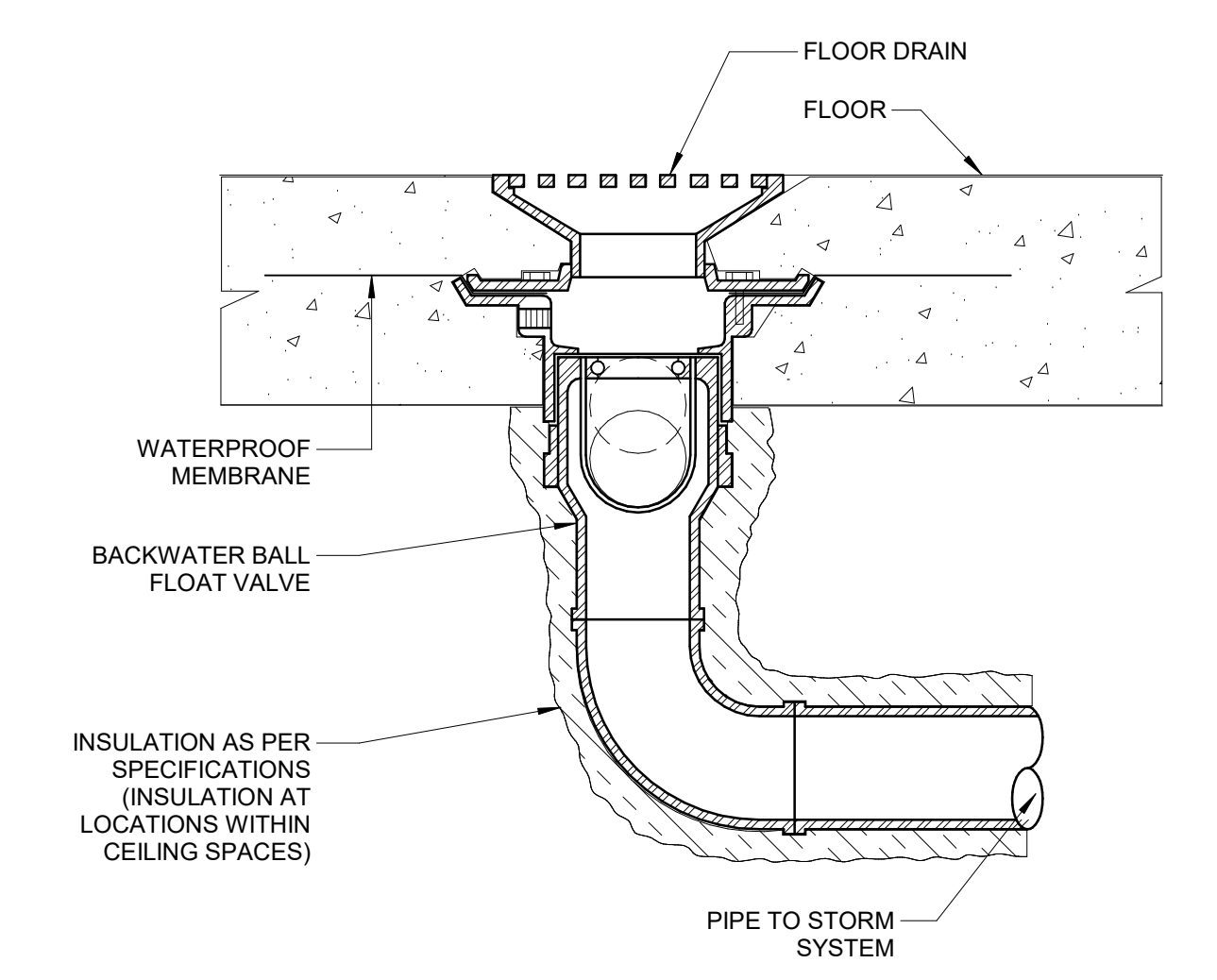
**1 CLEANOUT DETAILS**  
SCALE: NTS



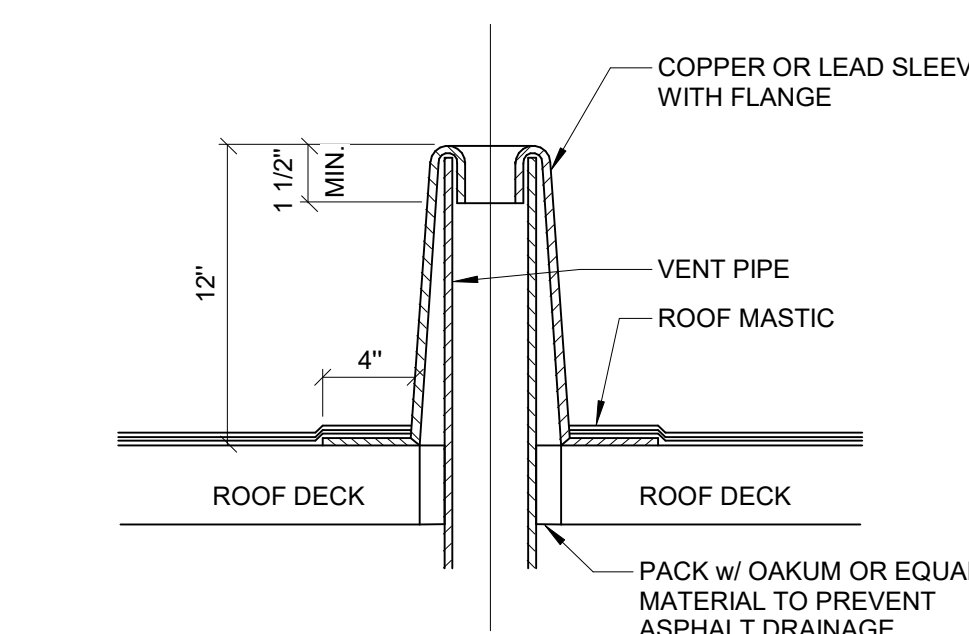
**7 FLOOR DRAIN TRAP PRIMER DETAIL**  
SCALE: NTS



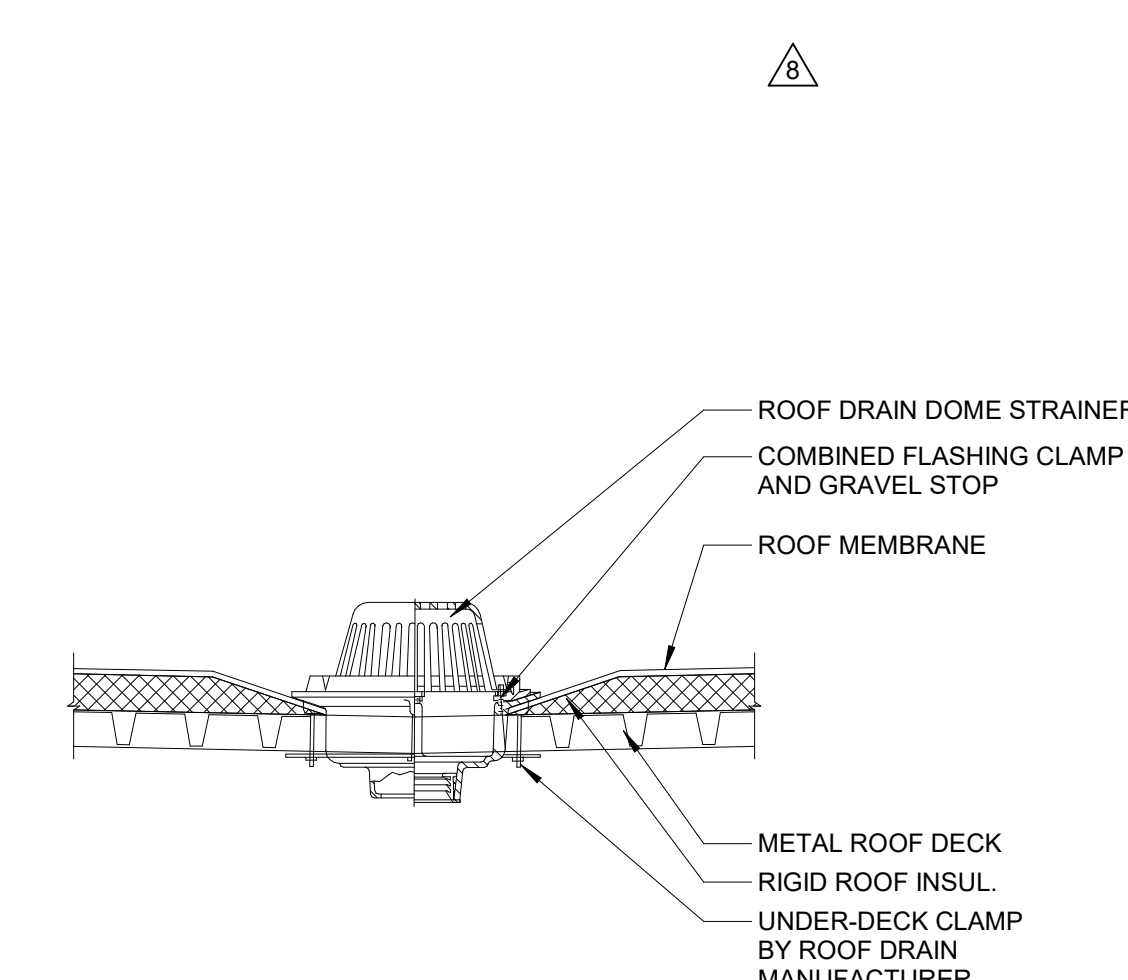
**6 WATER METER ASSEMBLY DETAIL**  
SCALE: NTS



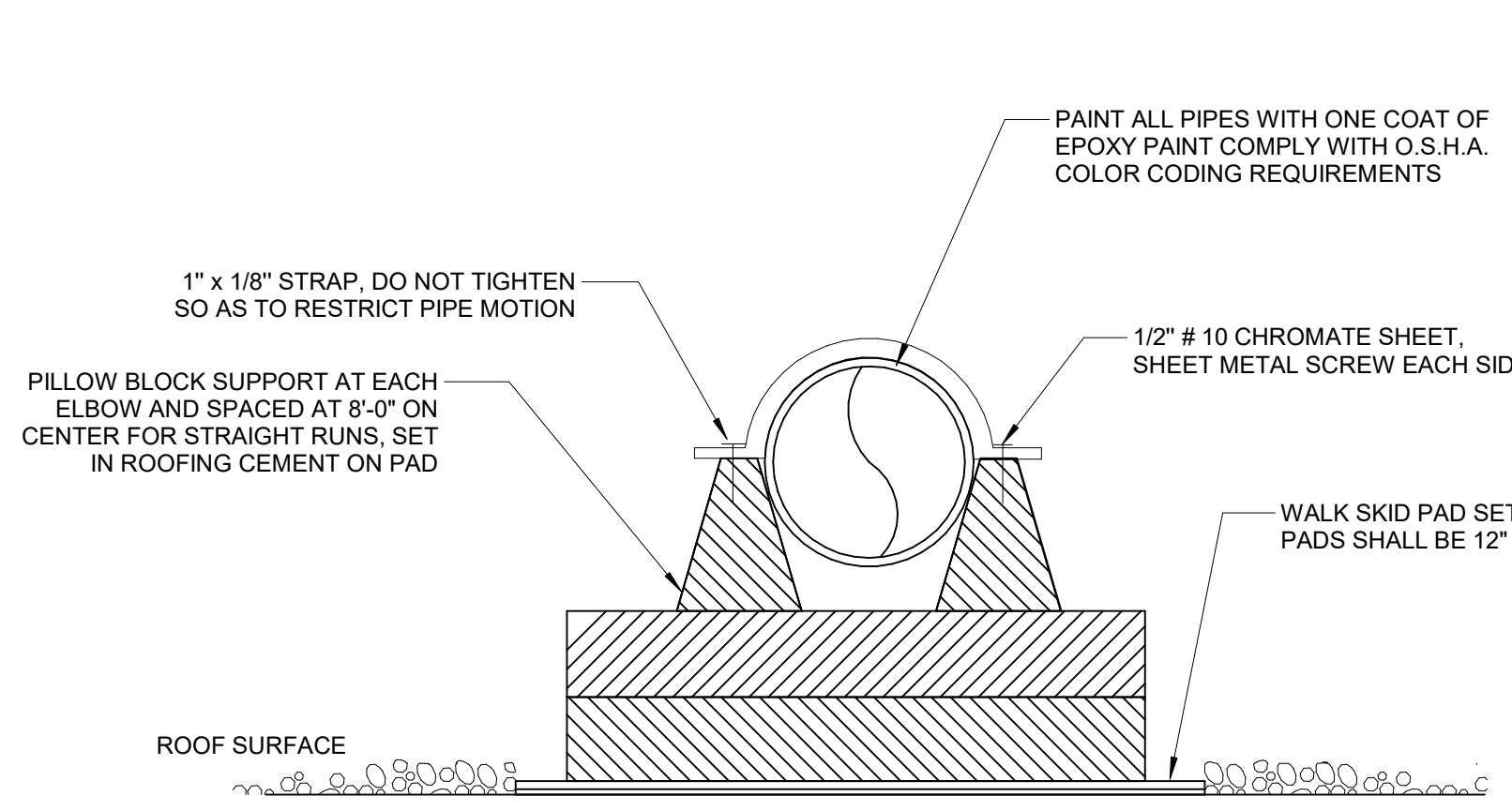
**5 STORM WATER FLOOR DRAIN DETAIL**  
SCALE: NTS



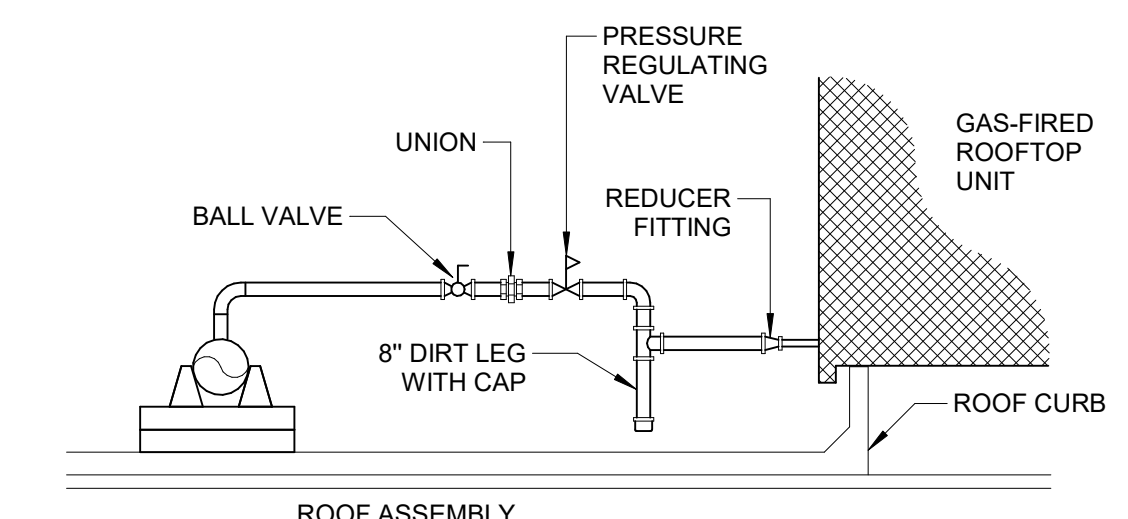
**4 VENT THRU ROOF DETAIL**  
SCALE: NTS



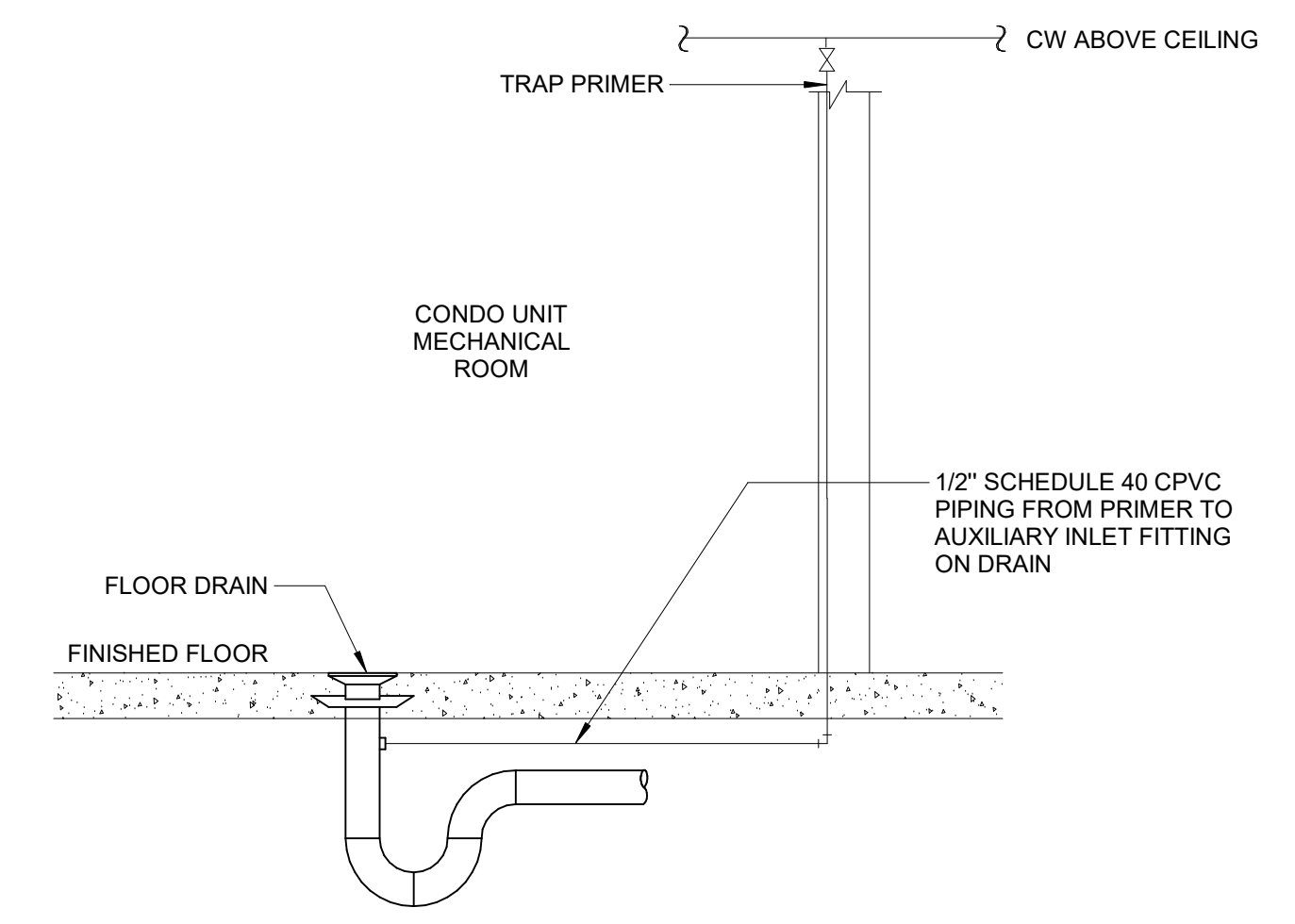
**11 ROOF DRAIN AND OVERFLOW DRAIN DETAIL**  
SCALE: NTS



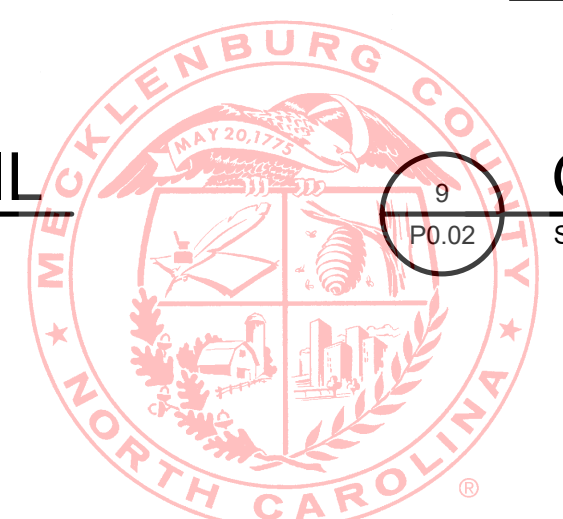
**10 GAS PIPING SUPPORT DETAIL**  
SCALE: NTS



**9 GAS PIPING CONNECTION DETAIL**  
SCALE: NTS



**8 TRAP PRIMER DETAIL**  
SCALE: NTS



MECKLENBURG COUNTY  
CODE ENFORCEMENT  
The Design In These Construction Documents Have Been Reviewed For Compliance With The State Building Code. It Is The Responsibility Of The Contractor To Construct This Project With Good Engineering Practice And In Compliance With The North Carolina State Building Code.