

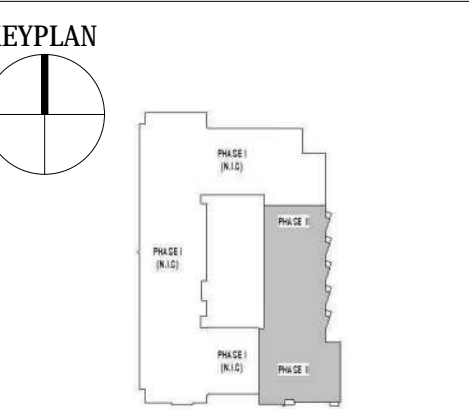
## GMP SET

PROJECT NAME  
**4 EYE STREET, SE  
WASHINGTON, DC**

PROJECT NUMBER RCP09  
OWNER  
CRESCENT-RCP VENTURE I, LLC  
227 West Trade Street, Suite 1000  
Charlotte, NC 28202  
D (202) 465-8455 / M (703) 216-2029  
se@rcpdevelopment.com

ISSUE	MARK	DATE	DESCRIPTION
		10.27.2017	DD SET
		02.02.2018	PERMIT SET
		02.21.2018	GAR
		02.21.2018	PERMIT RESPONSE
		04.27.2018	PERMIT RESPONSE
		05.11.2018	GMP SET

SEAL

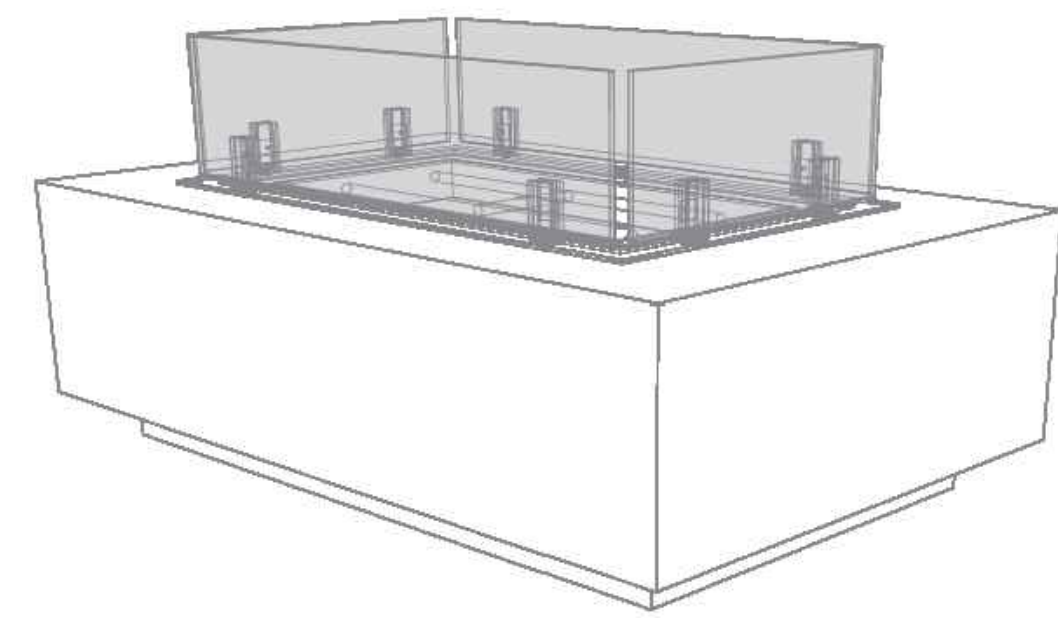


©2018 SK-I Architectural Design Group, LLC  
THIS PROJECT IS PROTECTED BY COPYRIGHT  
LAW AND INTERNATIONAL TREATIES

DRAWING TITLE  
**HARDSCAPE DETAILS**

DATE 5.11.2018  
SCALE AS NOTED

**L008**



### LINEAR FIRE PIT

MODEL: 4020  
LENGTH: 59"  
WIDTH: 22"  
HEIGHT: 16"  
MATERIAL: ALUMINUM  
COLOR: POWDER COAT METALLIC SILVER  
OPTIONS: NATURAL GAS KIT  
3/4" THICK TEMPERED GLASS SURROUND  
GLASS ROCK

MANUFACTURER:  
ORE  
130 SOUTH REDWOOD RD  
SUITE G  
NORTH SALT LAKE, UT 84054  
801.936.0499

- NOTES:
- OR APPROVED EQUAL.
  - MEP TO CONNECT FIRE PIT TO NATURAL GAS SOURCE.
  - MEP TO CONNECT TO ELECTRICITY FOR IGNITION.
  - CONTRACTOR TO PROVIDE OPTIONS LISTED ABOVE.
  - SEE STRUCTURAL DRAWINGS FOR TIE-DOWN DETAILS.
  - PROVIDE AUTOMATIC SHUT-OFF.
  - BALL VALVE TO BE SET UPON INSTALLATION TO CONTROL FLAME HEIGHT IN COMPLIANCE WITH IFC 308.3.1
  - OPERABLE PARTS SHALL COMPLY WITH ANSI 2003/2009 SECTION 308 AND 309.

**1**  
**L008** PICTORIAL

NTS



LYNX SEDONA ADA COMPLIANT  
30" WIDTH GRILL  
MODEL: L500ADA  
FUEL TYPE: NATURAL GAS

7300 FLORES STREET  
DOWNEY, CA 90242  
PH: 888-289-5969

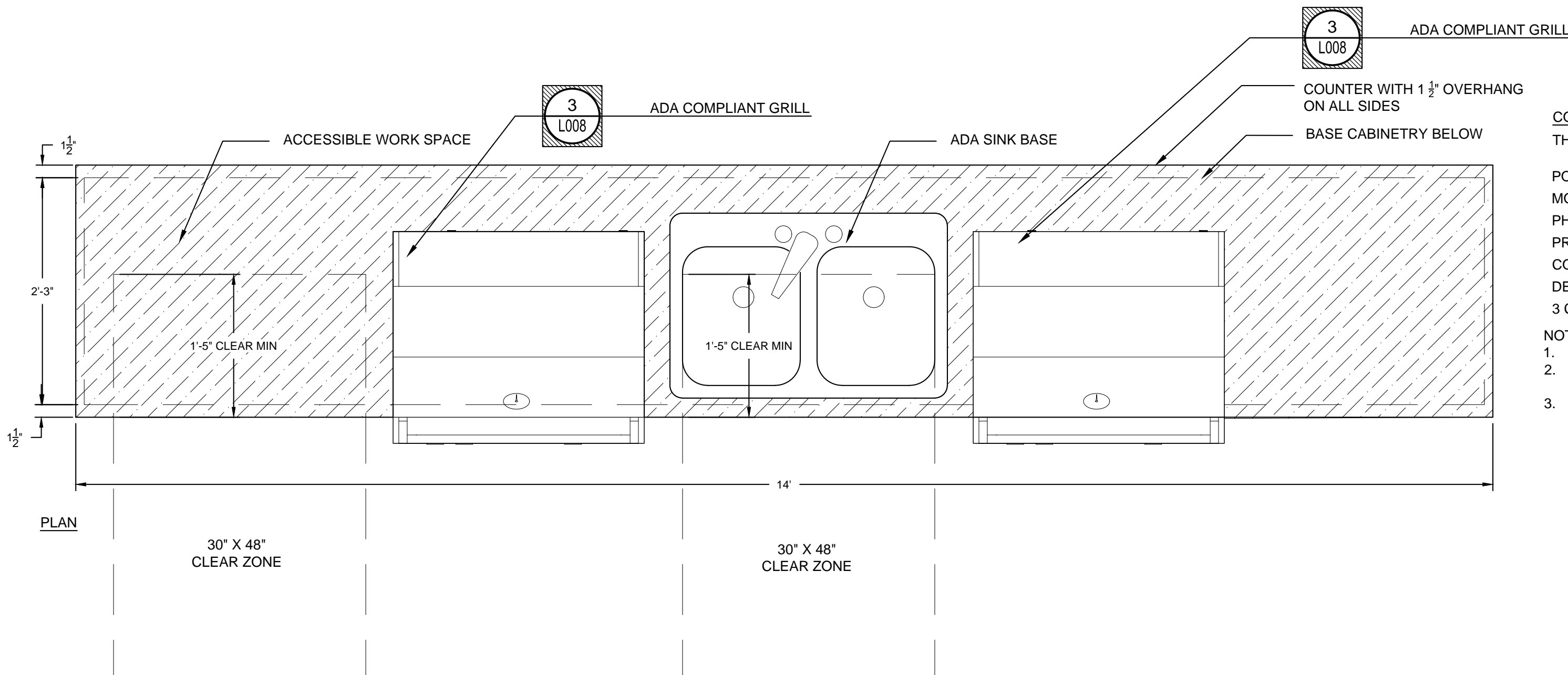
STANDARD FEATURES:  
32" HIGH COOKING SURFACE  
ADJUSTABLE SIDE ANGLE FOR LESS THAN A 42" REACH

COLOR: STAINLESS STEEL

- NOTES:
- OR APPROVED EQUAL.
  - CONTRACTOR TO CONFIRM ADA COMPLIANCE ON DROP-IN EQUIVALENT
  - MEP TO CONNECT TO GAS LINE.
  - SEE MANUFACTURER INSTRUCTIONS FOR INSTALLATION.
  - SEE MATERIALS PLAN FOR LOCATION.
  - SEE STRUCTURAL DRAWINGS FOR TIE-DOWN DETAILS.

**3**  
**L008** PICTORIAL

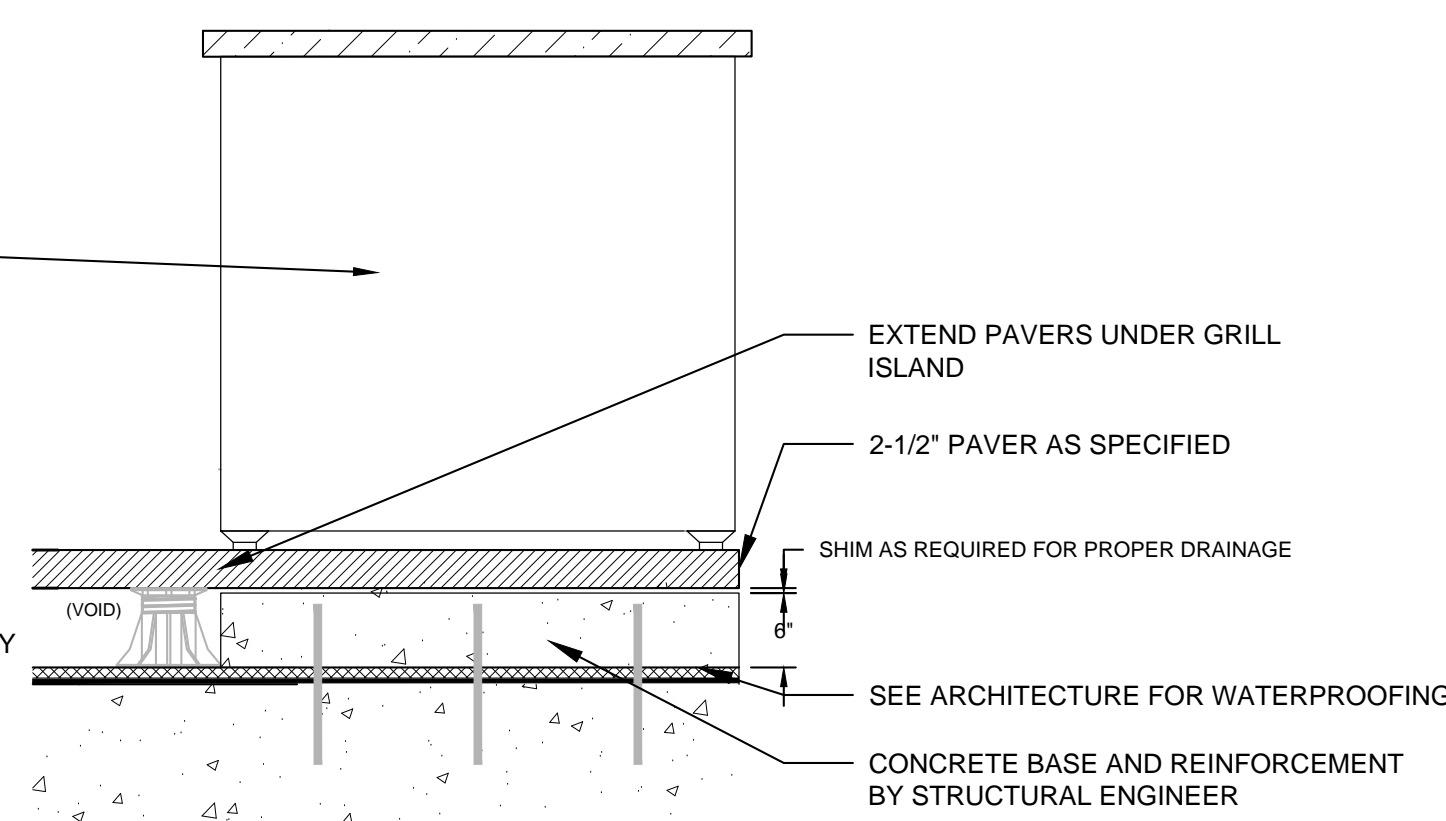
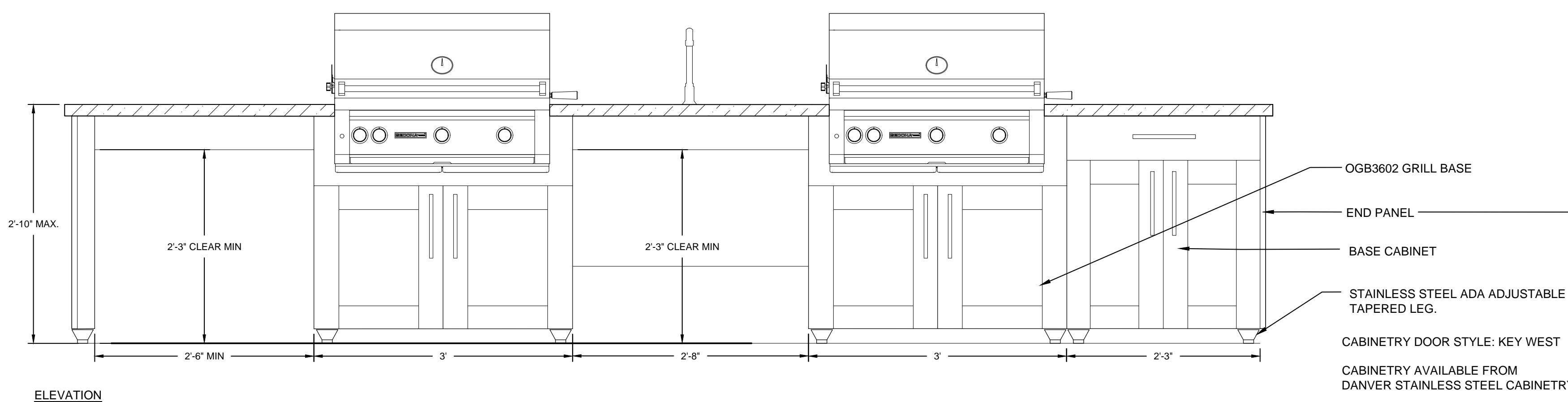
NTS



COUNTER TOP  
THE NORTH CAROLINA GRANITE CORPORATION

PO BOX 151  
MOUNT AIRY, NC 27030  
PH: 1-800-227-6242  
PRODUCT NAME: SILVER CLOUD  
COLOR RANGE: LIGHT GREY  
DESCRIPTION: MEDIUM TO FINE GRAIN  
3 CM THICKNESS

- NOTES:
- OR APPROVED EQUAL.
  - CAULK TO MATCH GRANITE COLOR, TO BE APPROVED BY LANDSCAPE ARCHITECT IN WRITTEN FORM
  - SEE MATERIALS AND LAYOUT PLANS FOR DIMENSIONS



- NOTES:
- OR APPROVED EQUAL
  - INSTALL PER MANUFACTURERS INSTRUCTIONS
  - SEE STRUCTURAL DRAWINGS FOR TIE-DOWN DETAILS

**2**  
**L008** PLAN/ELEVATION

1"=1'-0"