

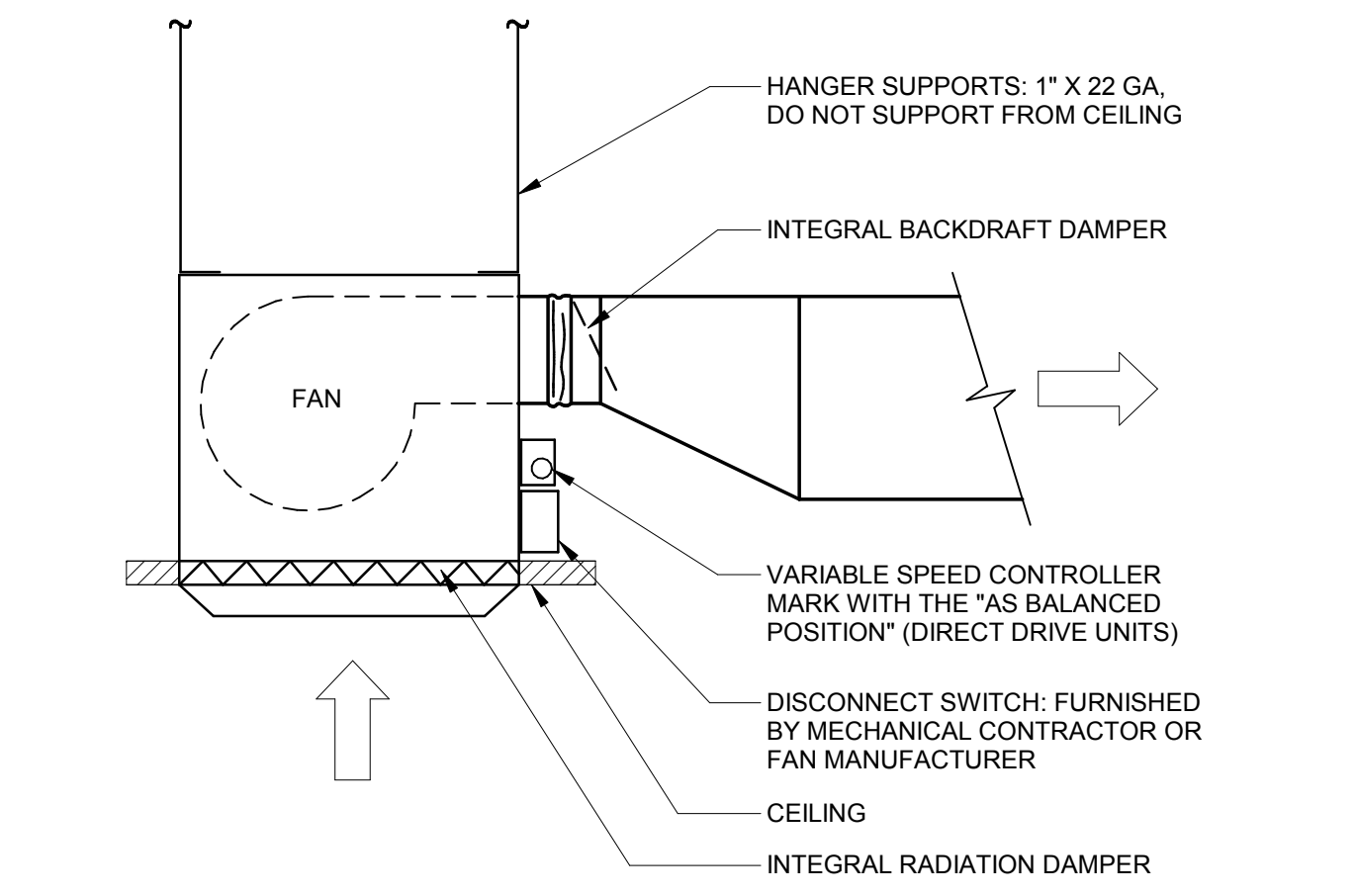
NOT FOR
CONSTRUCTION

Design
Development

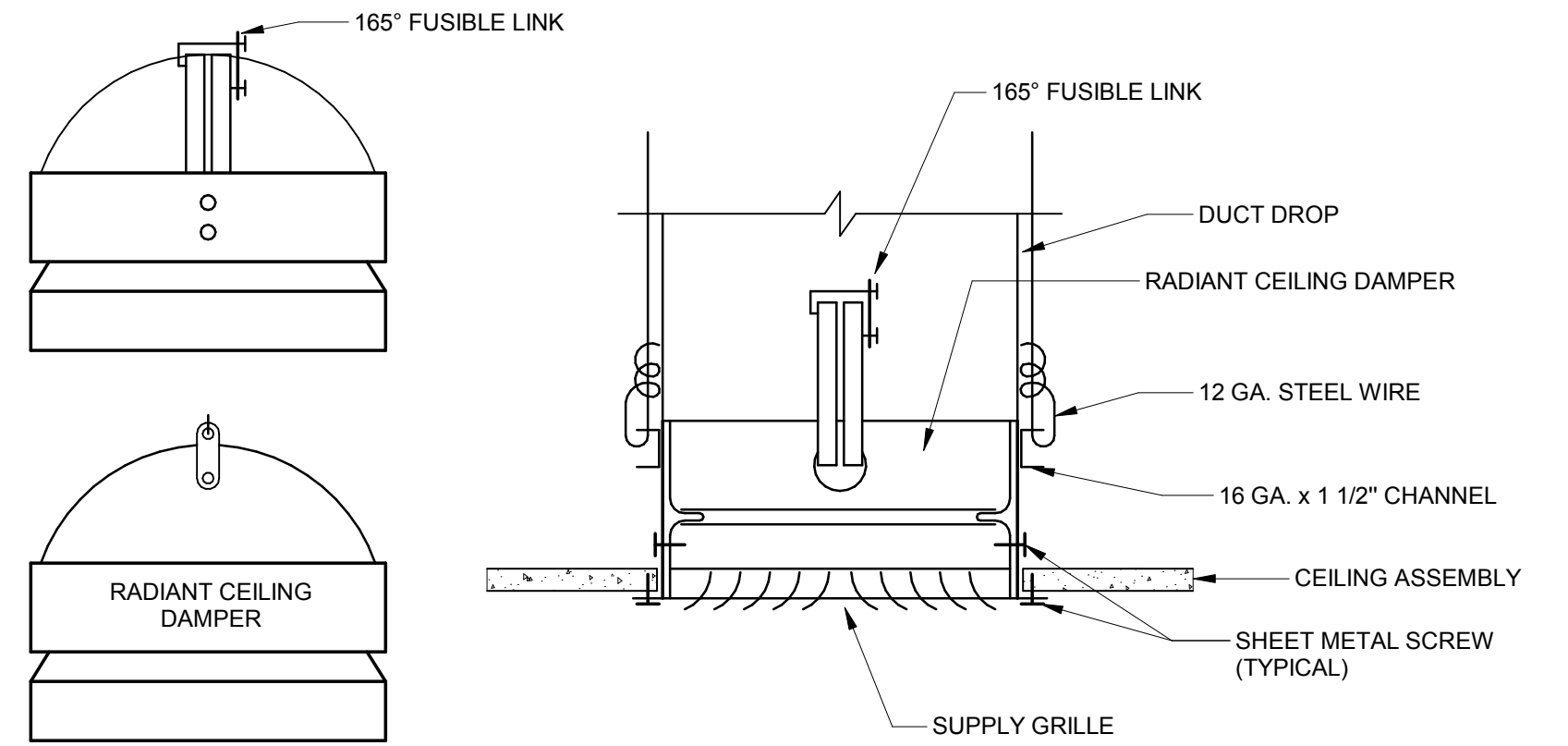
PROJECT:	217035
DATE:	6-28-2017
REVISIONS:	DATE

DRAWN BY: Author
CHECKED BY: Checker

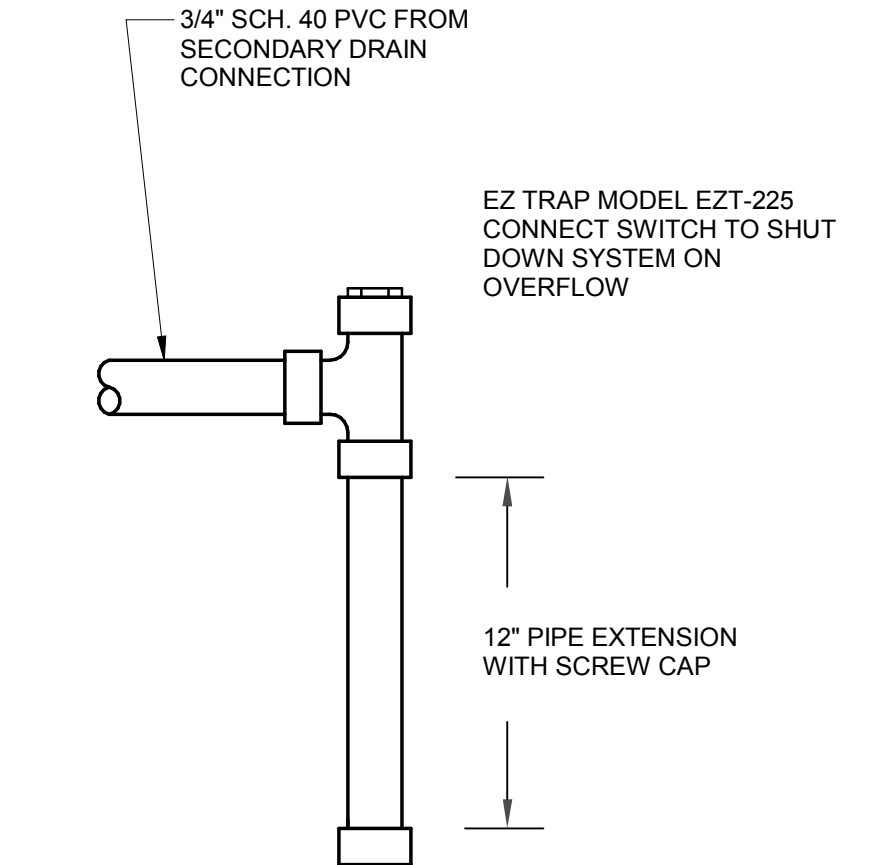
DETAILS



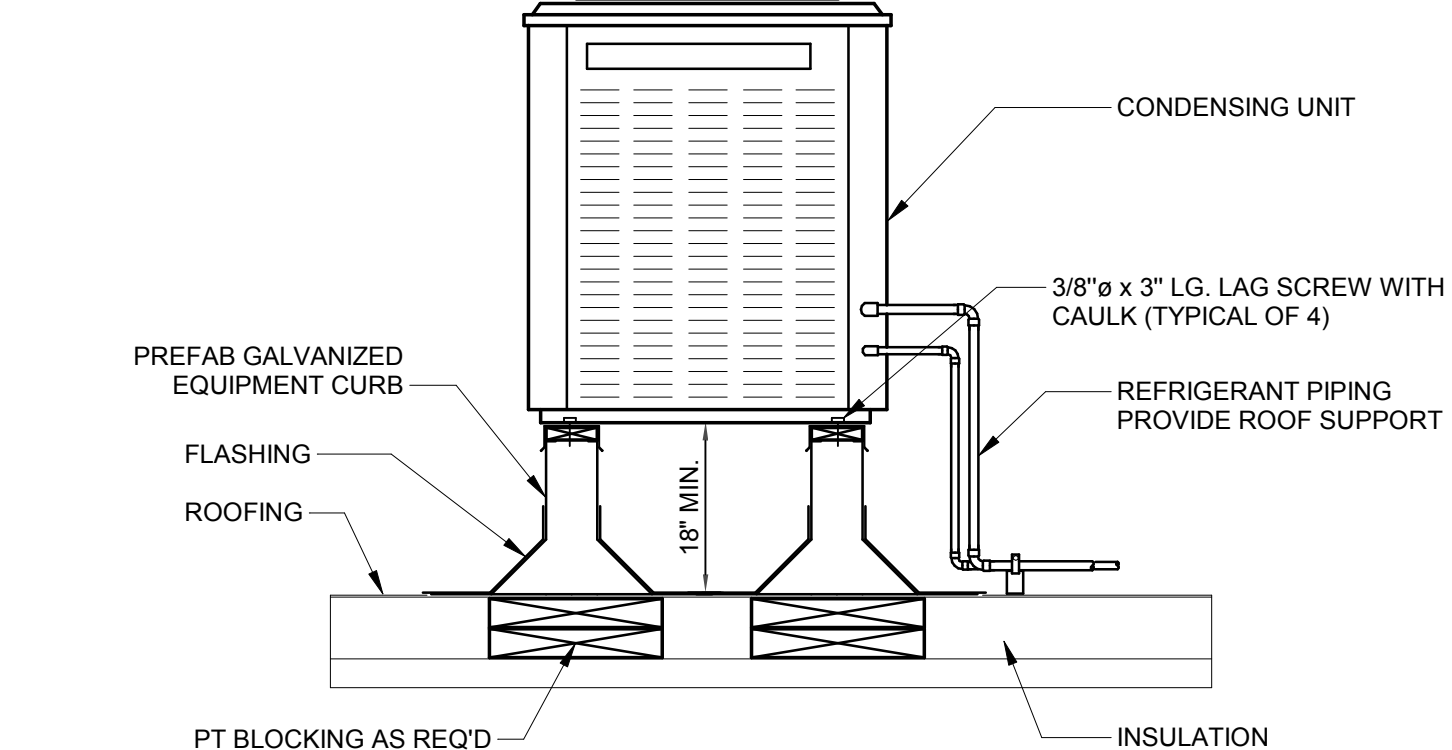
1 CEILING MOUNTED EXHAUST FAN
SCALE: 1/4" = 1'-0"



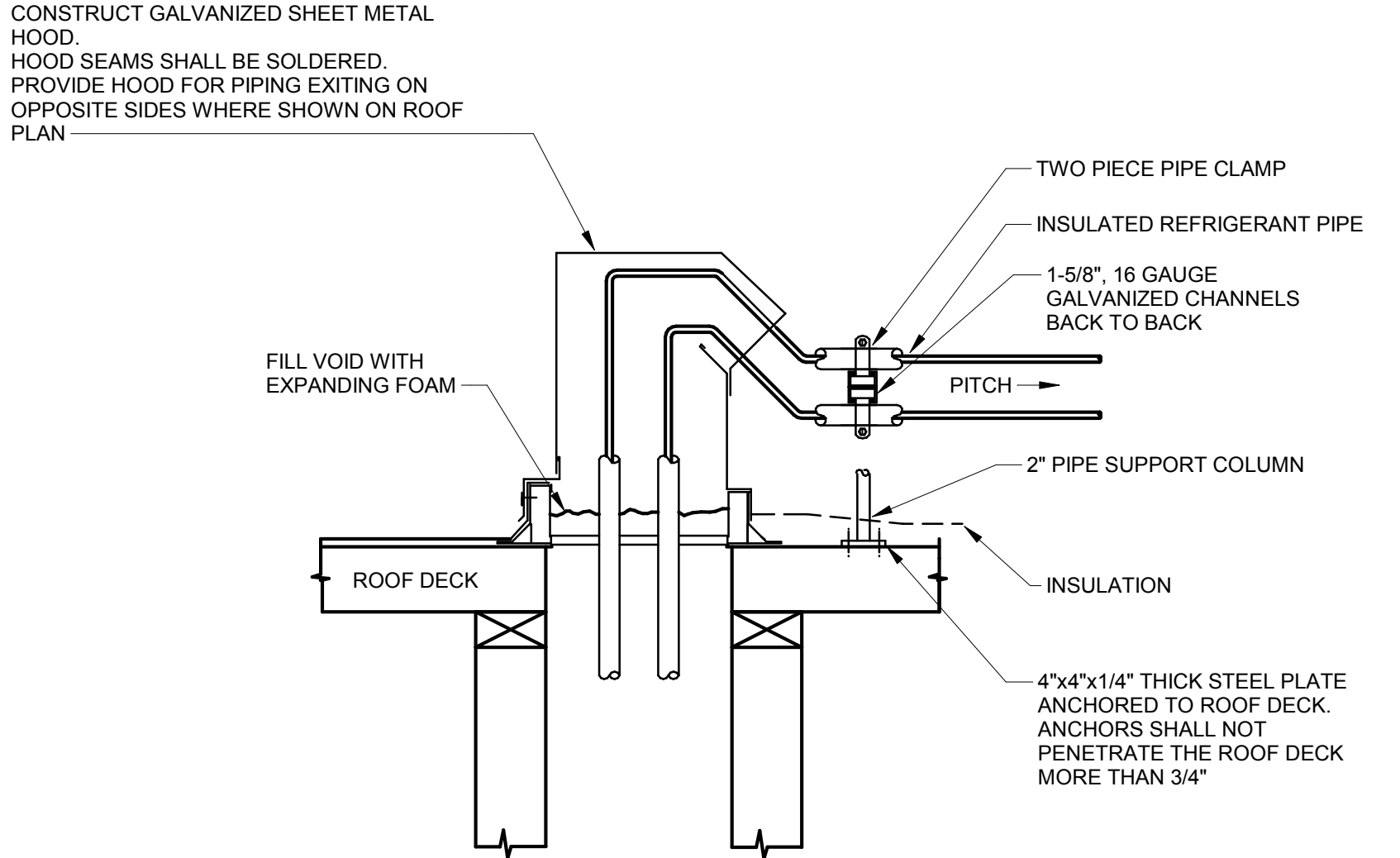
2 CEILING RADIANT DAMPER DETAIL
SCALE: NTS



3 SECONDARY CONDENSATE DRAIN SWITCH DETAIL
SCALE: NTS



4 CONDENSING UNIT DETAIL
SCALE: NTS



NOTES:
1. FLASH AROUND PIPING SUPPORT COLUMN.
2. PIPING SHALL BE SLOPED TOWARD THE CONDENSING UNITS.
3. PIPING INSULATION SHALL BE FINISHED WITH TWO COATS OF UV RESISTANT COATING.

5 M-PIPE-REFRIGERANT PIPING ROOF CURB
SCALE: 1/4" = 1'-0"