

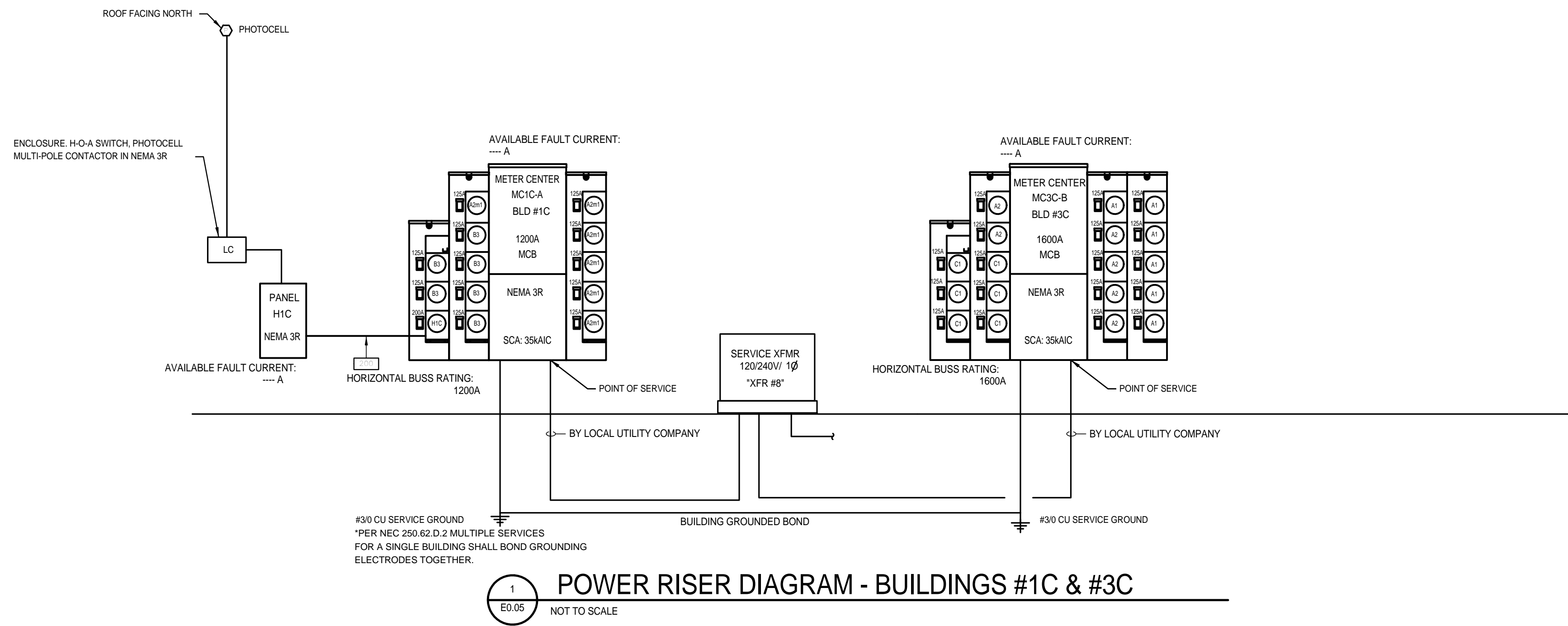
| FEEDER SCHEDULE | | |
|-----------------|---------------------------|------------|
| WIRE SIZES | CONDUIT | |
| 60 | 3#6, #10 GND | 1" |
| 80 | 3#3, #8 GND | 1 1/4" |
| 100 | 3#2, #8 GND | 1 1/4" |
| 125 | 3#1, #8 GND | 1 1/2" |
| 150 | 3#1/0, #6 GND | 1 1/2" |
| 150S | 3#1/0 | 1 1/2" |
| 175 | 3#2/0, #6 GND | 2" |
| 200 | 3#3/0, #6 GND | 2" |
| 225 | 3#4/0, #4 GND | 2 1/2" |
| 250 | 3-250MCM, #4 GND | 3" |
| 300 | 3-350MCM, #4 GND | 3" |
| 300S | 3-350MCM | 3" |
| 350 | 2 SETS 3#2/0, #3 GND | (2) 2" |
| 400 | 2 SETS 3#3/0, #3 GND | (2) 2" |
| 400S | 2 SETS 3#3/0 | (2) 2" |
| 450 | 2 SETS 3#4/0, #2 GND | (2) 2 1/2" |
| 500 | 2 SETS 3-250MCM, #2 GND | (2) 2 1/2" |
| 500S | 2 SETS 3-250MCM | (2) 2 1/2" |
| 600 | 2 SETS 3-350MCM, #1 GND | (2) 3" |
| 800 | 2 SETS 3-500MCM, #1/0 GND | (2) 3 1/2" |
| 800S | 2 SETS 3-500MCM | (2) 3 1/2" |
| 1000 | 3 SETS 3-400MCM, #2/0 GND | (3) 3" |
| 1000S | 3 SETS 3-400MCM | (3) 3" |
| 1200 | 4 SETS 3-350MCM, #3/0 GND | (4) 3" |
| 1200S | 4 SETS 3-350MCM | (4) 3" |
| 1600 | 5 SETS 3-400MCM, #4/0 GND | (5) 3 1/2" |
| 1600S | 5 SETS 3-400MCM | (5) 3 1/2" |
| 2000 | 6 SETS 3-400MCM, #4/0 GND | (6) 3 1/2" |
| 2000S | 6 SETS 3-400MCM | (6) 3 1/2" |

NEUTRAL WIRES NOT REQ'D FOR TRANSFORMER PRIMARIES.
SEE RISER DIAGRAM FOR SERVICE GROUNDING ELECTRODE CONDUCTOR SIZING IN LIEU OF GROUND INDICATED.

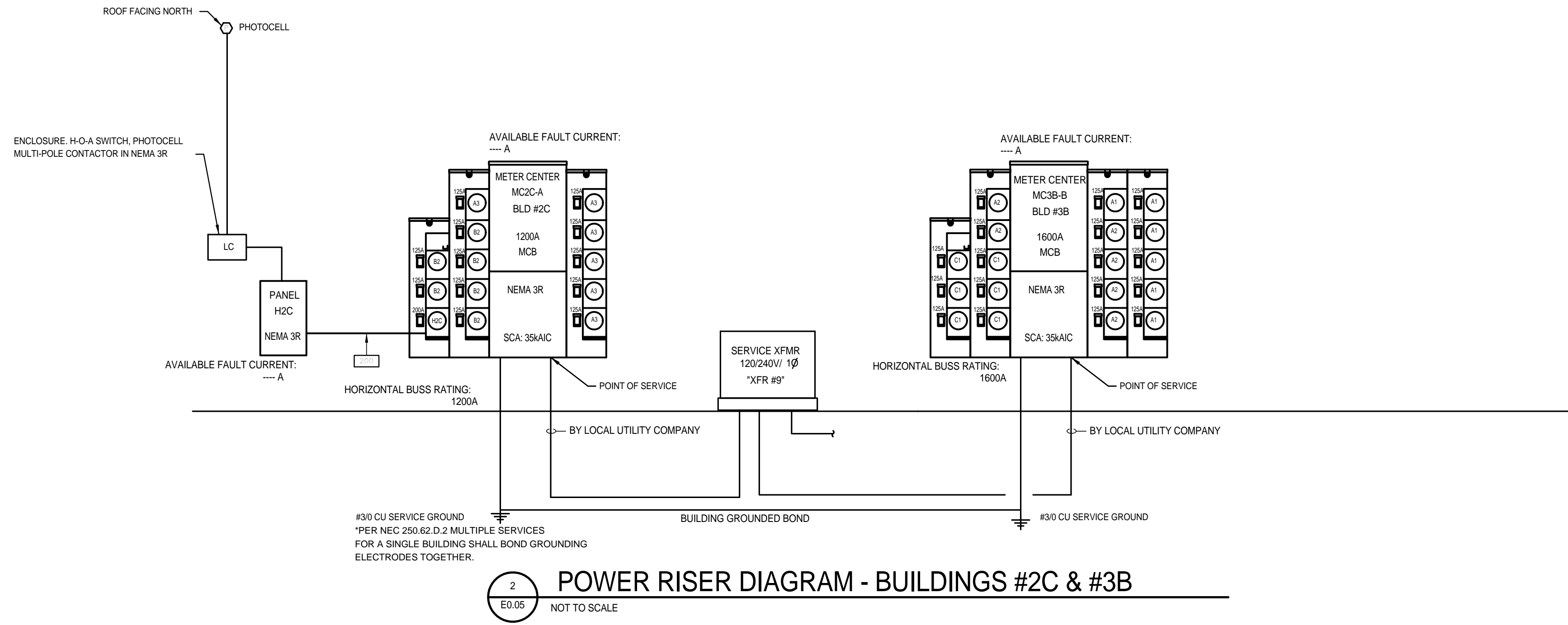
| DERIVED SYSTEM GROUNDING ELECTRODE SIZING | |
|---|----------|
| 30 KVA (OR LESS), 480-120/208V XFMR | #8 AWG |
| 45 KVA, 480-120/208V XFMR | #6 AWG |
| 75 KVA, 480-120/208V XFMR | #2 AWG |
| 112.5 KVA, 480-120/208V XFMR | #1/0 AWG |
| 150 KVA, 480-120/208V XFMR | #2/0 AWG |
| 225 KVA, 480-120/208V XFMR | #2/0 AWG |
| 300 KVA (OR MORE), 480-120/208V XFMR | #3/0 AWG |

| APARTMENT UNIT SERVICE FEEDERS | | | | |
|--------------------------------|-------------------------------------|----------------|-------------------|---------------------|
| APARTMENT LOAD CENTER RATING | METER CENTER CIRCUIT BREAKER RATING | CIRCUIT LENGTH | COPPER CONDUCTORS | ALUMINUM CONDUCTORS |
| 125A | 125A | UP TO 100' | 3#1 + 1#6GND | 3#20 + 1#4GND |
| | | 100' TO 150' | 3#1/0 + 1#6GND | 3#30 + 1#4GND |
| | | OVER 150' | 3#2/0 + 1#4GND | 3#40 + 1#2GND |
| 150A | 150A | UP TO 100' | 3#1/0 + 1#6GND | 3#30 + 1#4GND |
| | | 100' TO 150' | 3#2/0 + 1#4GND | 3#40 + 1#2GND |
| | | OVER 150' | 3#3/0 + 1#4GND | 3#250 + 1#2GND |
| 200A | 200A | UP TO 100' | 3#3/0 + 1#6GND | 3#250 + 1#2GND |
| | | 100' TO 150' | 3#4/0 + 1#2GND | 3#300 + 1#1/0GND |
| | | OVER 150' | 3#250 + 1#2GND | 3#350 + 1#1/0GND |

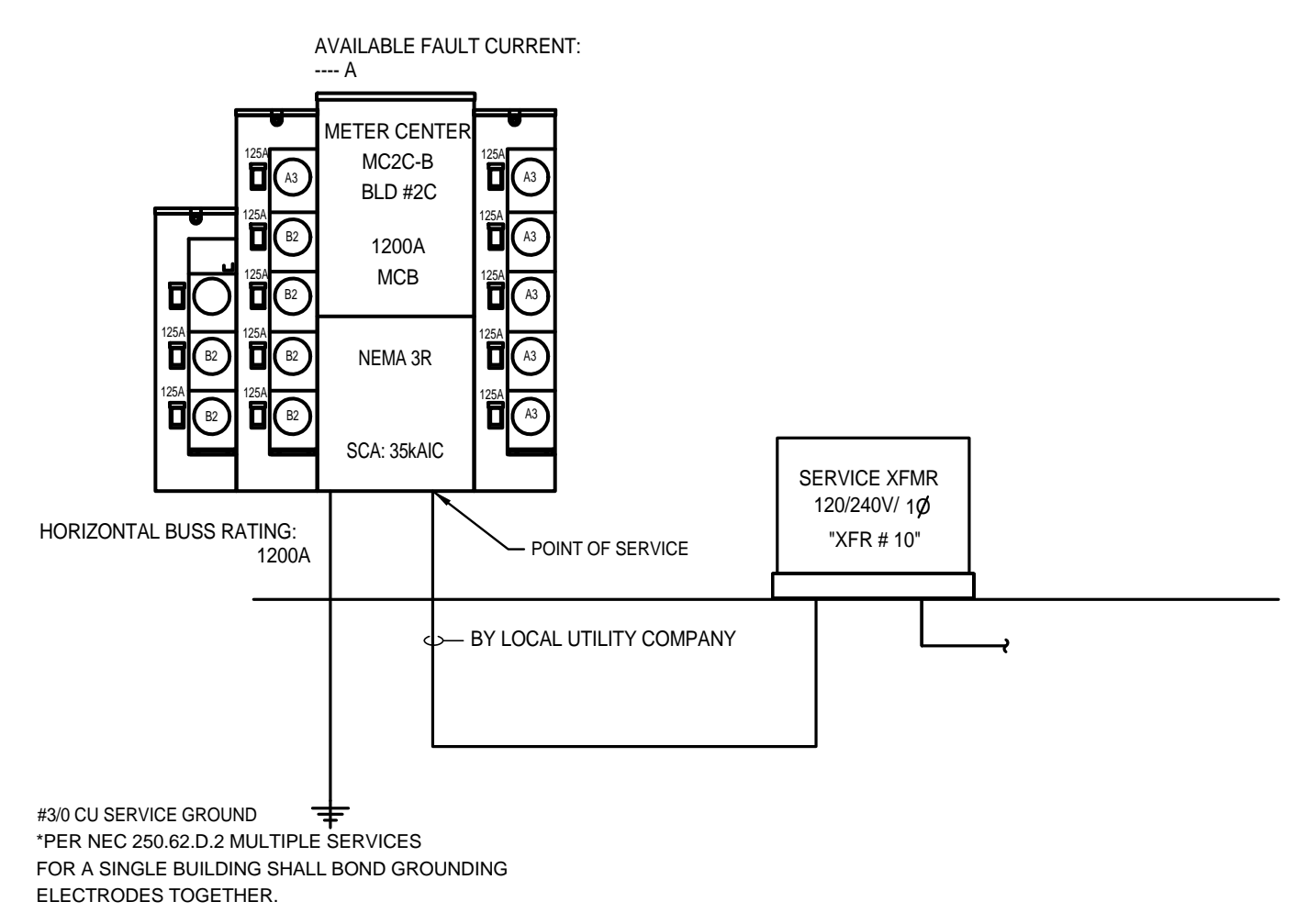
- GENERAL NOTE:**
- CONTRACTOR TO VERIFY WITH UTILITY COMPANY ALL REQUIREMENT AND ASPECT OF INCOMING SERVICE, PRIOR TO CONSTRUCTION
 - AVAILABLE FAULT CURRENT IS BASED ON XXXX KVA UTILITY TRANSFORMER. ELECTRICAL CONTRACTOR SHALL VERIFY WITH UTILITY VALUE PRIOR TO PERFORMING WORK.
 - ALL UNIT PANELS RATED AT 10 KA AIC. FAULT CURRENT AT ALL UNIT PANELS SHALL BE LOWER THAN 10 KA AIC.



1 POWER RISER DIAGRAM - BUILDINGS #1C & #3C
E0.05 NOT TO SCALE



2 POWER RISER DIAGRAM - BUILDINGS #2C & #3B
E0.05 NOT TO SCALE



3 POWER RISER DIAGRAM - BUILDING #2C
E0.05 NOT TO SCALE

© 2017 CLINE DESIGN ASSOCIATE, IN EXPRESSLY RESERVE THE DOMINANT COPYRIGHT AND OTHER PROPERTY RIGHTS IN THESE PLANS. THESE PLANS ARE NOT TO BE REPRODUCED, CHANGED OR COPIED IN ANY FORM OR MANNER WITHOUT THE WRITTEN PERMISSION AND CONSENT OF CLINE DESIGN ASSOCIATE, INC.

NOT FOR CONSTRUCTION
Design Development

| | |
|------------|-----------|
| PROJECT: | 217035 |
| DATE: | 6-28-2017 |
| REVISIONS: | DATE |

DRAWN BY: Author
CHECKED BY: Checker

RISER DIAGRAMS