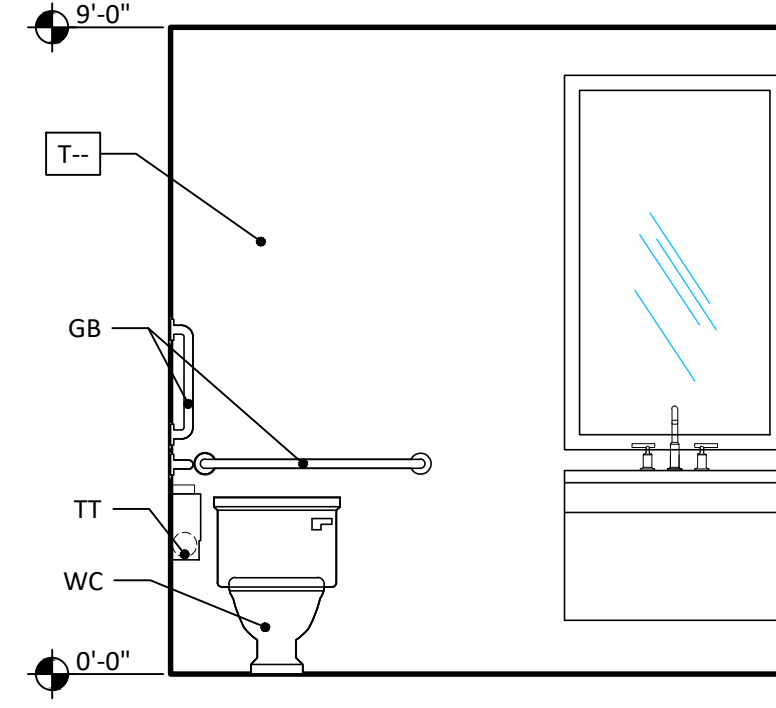
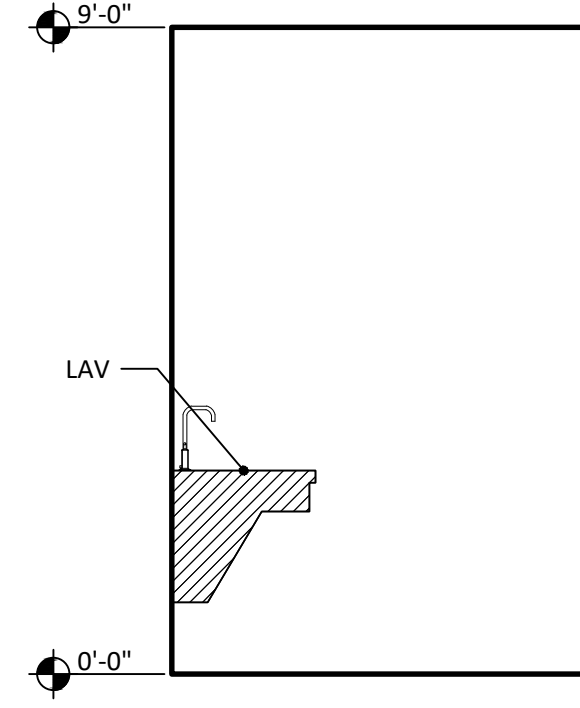


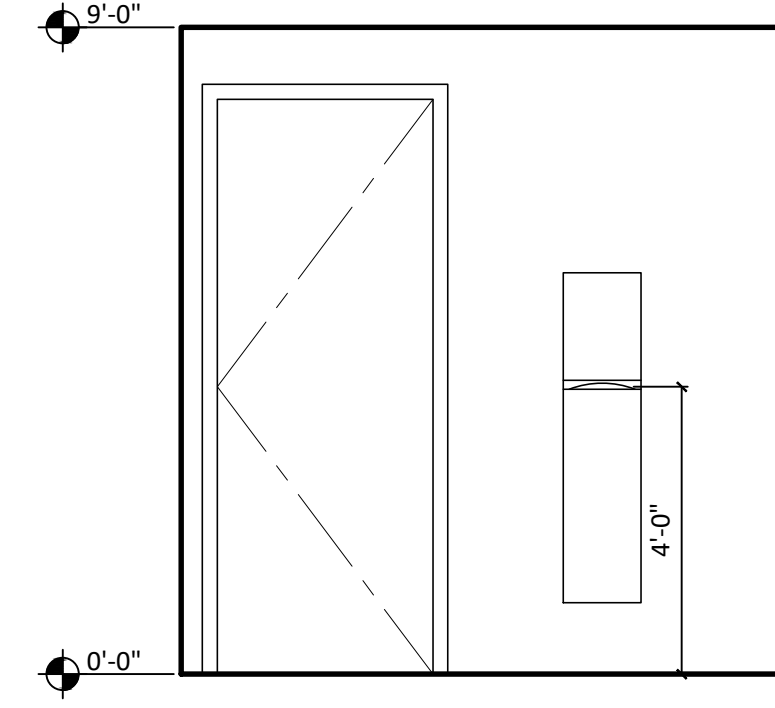
Ⓐ ENLARGED PLAN
SCALE: 3/8" = 1'-0"



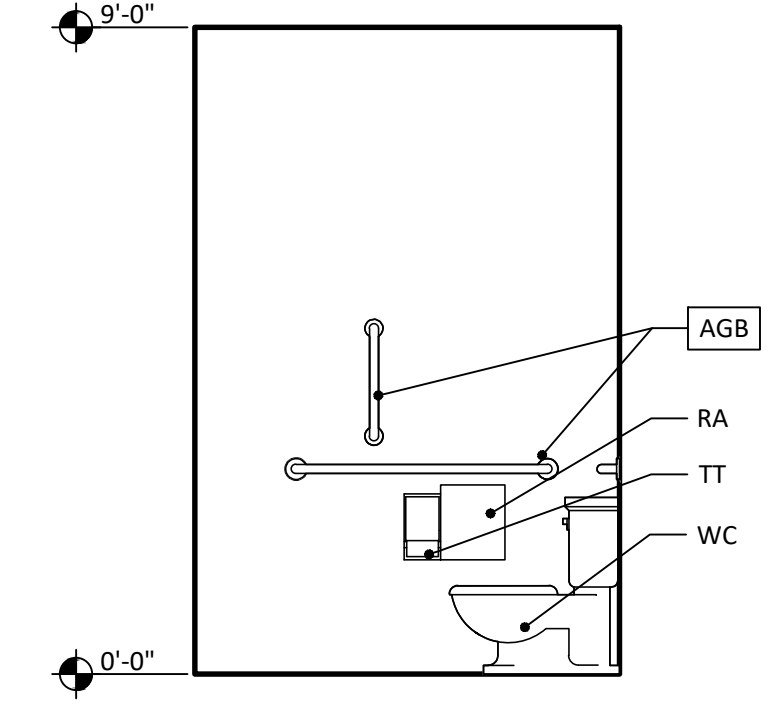
25 ELEVATION -
SCALE: 3/8" = 1'-0"



26 ELEVATION -
SCALE: 3/8" = 1'-0"

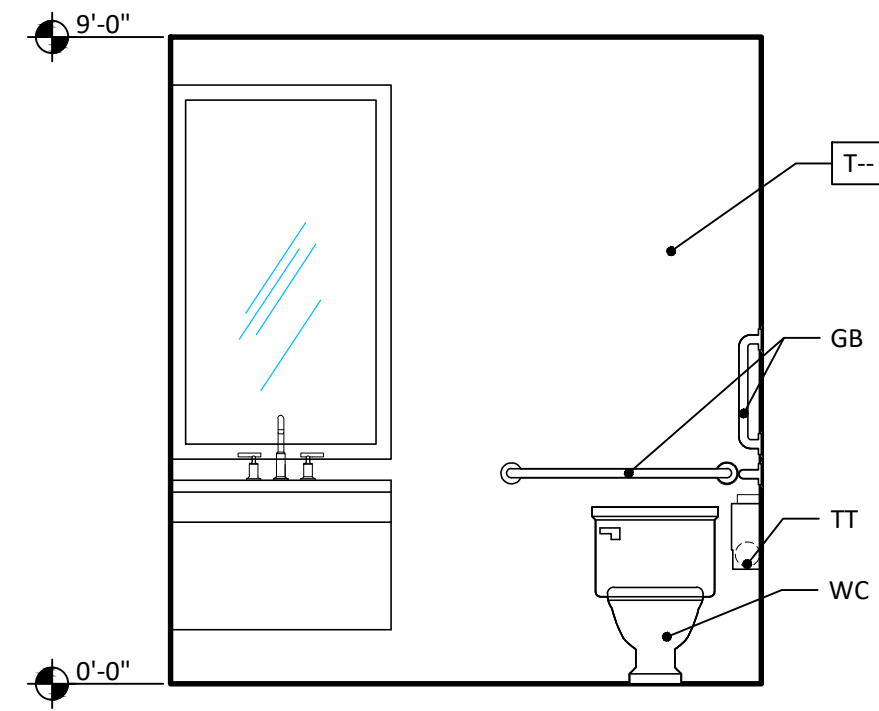


27 ELEVATION -
SCALE: 3/8" = 1'-0"

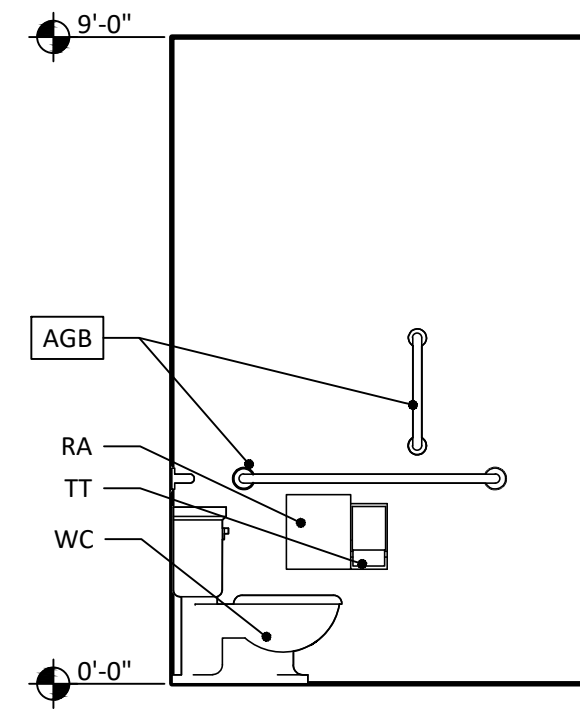


28 ELEVATION -
SCALE: 3/8" = 1'-0"

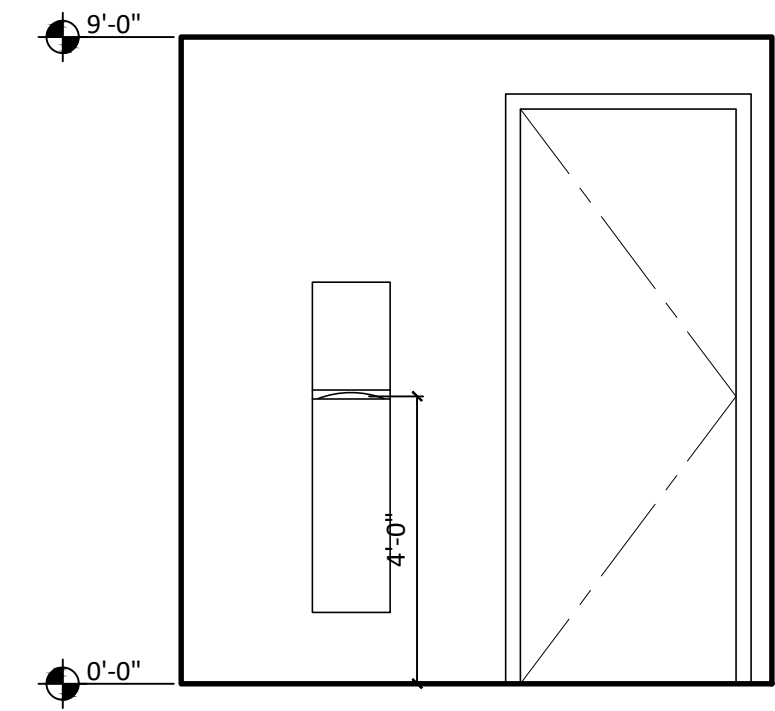
NOTES:
ALL FIXTURES AND ACCESSORIES TO BE LOCATED PER CURRENT LOCAL ACCESSIBLE REQUIREMENTS REFER TO ARCHITECTURAL DRAWINGS FOR MORE INFORMATION.
FIXTURES DRAWN ARE SYMBOLS AND MAY NOT REPRESENT THE ACTUAL SIZE, SEE SPECIFICATIONS FOR EXACT ITEM & INFORMATION.
NOTE: SEE SPECS FOR ALL REST ROOM ACCESSORIES AND PLUMBING FIXTURE SPECIFICATIONS.
RESTROOM ACCESSORIES ABBREVIATIONS:
BC BABY CHANGING STATION
GB GRAB BAR
HD HAND DRYER
MR MIRROR
ND NAPKIN DISPOSAL
PT-1 PAPER TOWEL DISPENSER & TRASH
SP SOAP DISPENSER
TP TOILET PARTITION
TT TOILET TISSUE DISPENSER
WB WASTE BASKET
MIR MIRROR



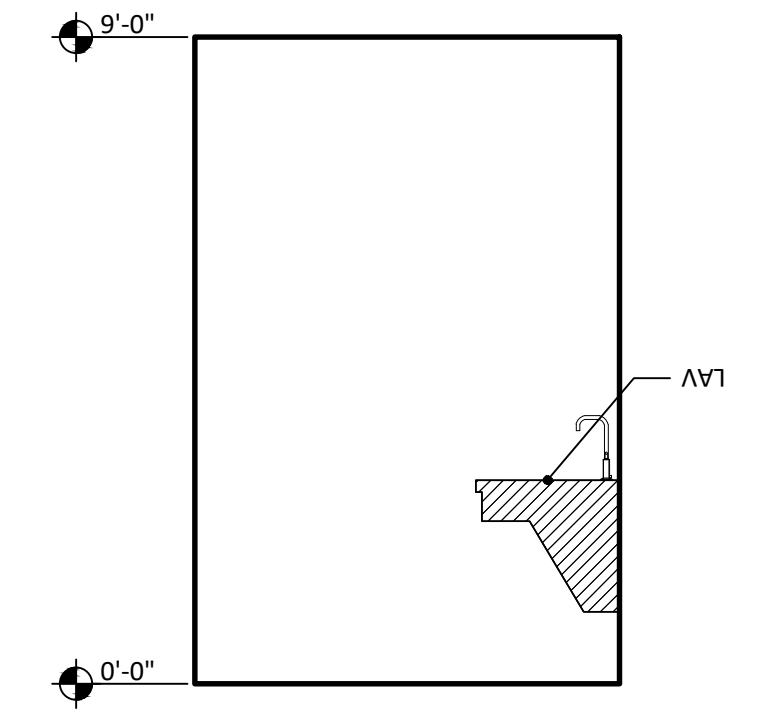
29 ELEVATION -
SCALE: 3/8" = 1'-0"



30 ELEVATION -
SCALE: 3/8" = 1'-0"



31 ELEVATION -
SCALE: 3/8" = 1'-0"



32 ELEVATION -
SCALE: 3/8" = 1'-0"

DATE:
07-25-2019

PHASE:
schematic design

this document is not an architectural or engineering study, drawing, specification, or design and is not to be used for structures, any load-bearing columns, load-bearing framing or walls of structures.

NASHVILLE GULCH
CRESCENT COMMUNITIES

STREET ADDRESS NASHVILLE, TN. ZIP

rev: date: description

ENLARGED
TOILET ROOMS

sheet no:

ID8-3

CID DESIGN GROUP

9115 GALLERIA COURT, NAPLES, FLORIDA 34109
P: 239.495.380 • F: 239.495.1076
WWW.CID-DESIGNGROUP.COM