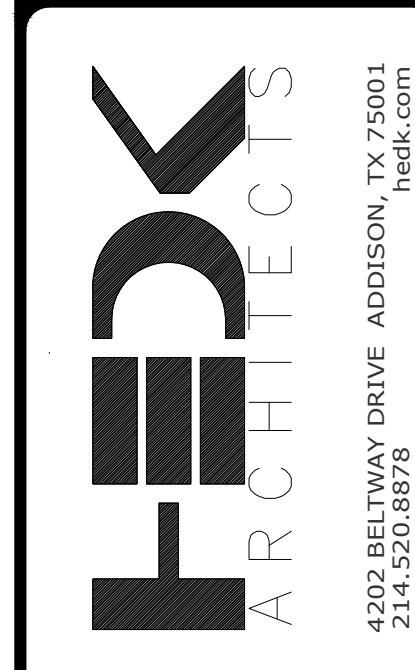




NO.	REVISIONS

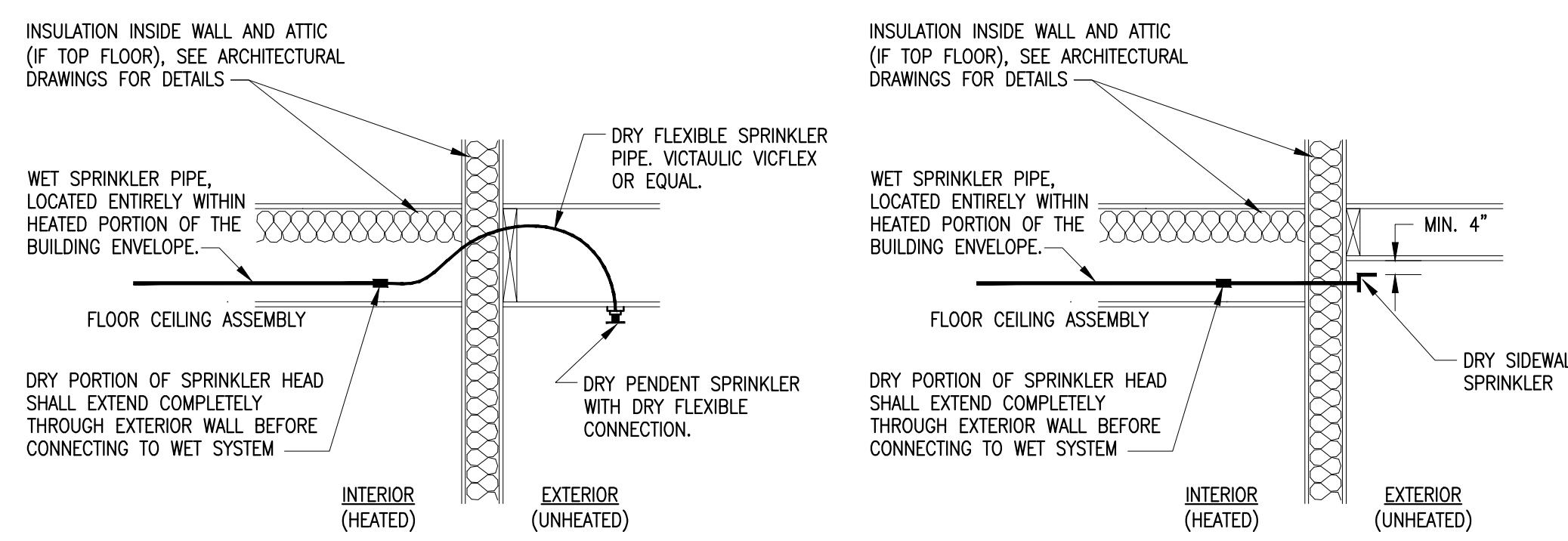
HARPETH HEIGHTS
 NASHVILLE, TENNESSEE
CRESCENT COMMUNITIES, LLC

ISSUED FOR CONSTRUCTION
 05-25-2021



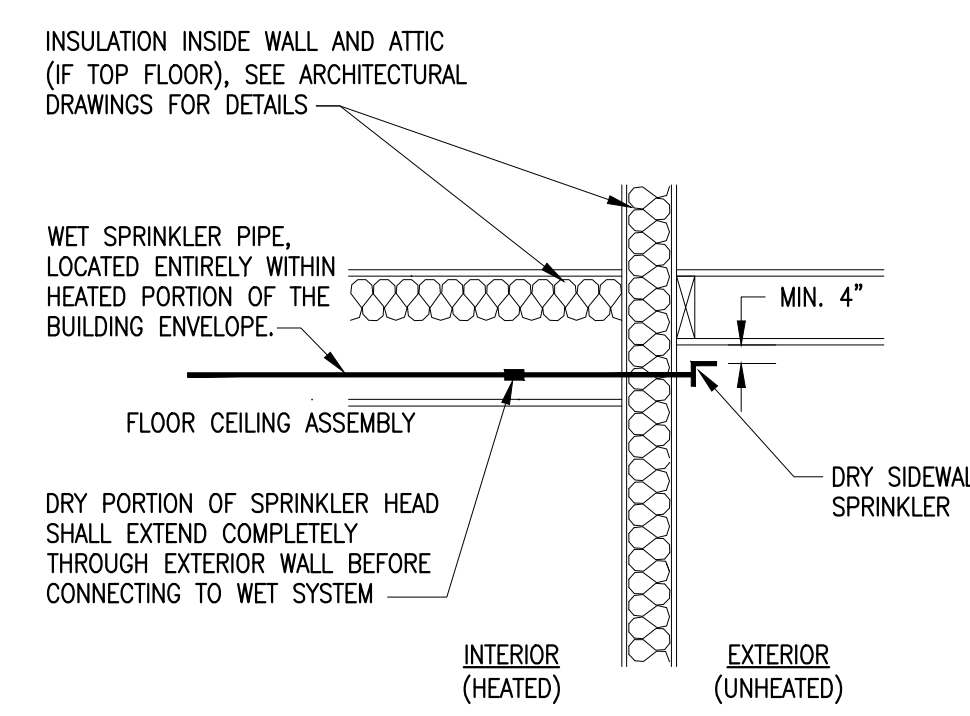
DATE 07-01-20
 PROJECT 19133
 SHEET NUMBER FP0-02
 FIRE PROTECTION DETAILS

COPYRIGHT © HEDK Architects ALL RIGHTS RESERVED



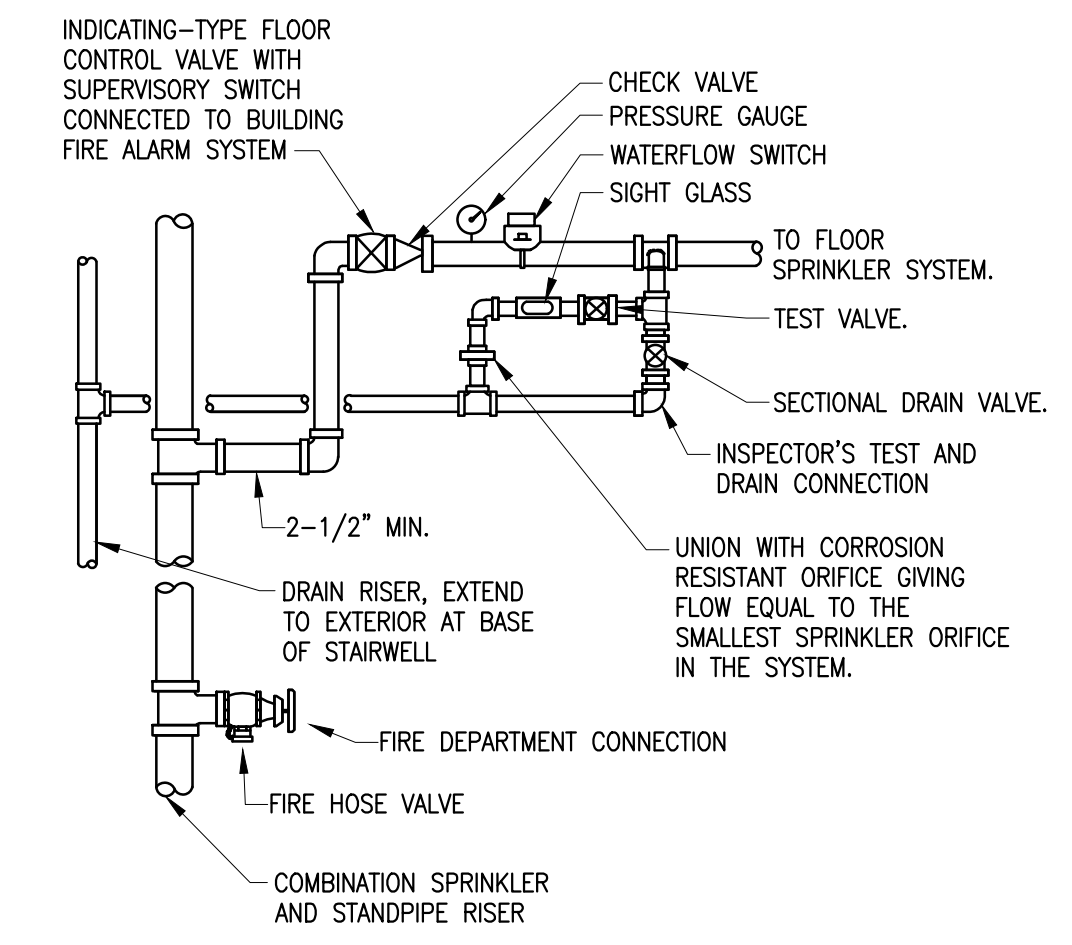
NOTES:
 1. FOLLOW ALL MANUFACTURER'S INSTRUCTIONS REGARDING INSTALLATION AND INSULATION OF DRY SPRINKLER HEAD AND ASSOCIATED PIPING.
 2. INSULATION ABOVE WET SPRINKLER PIPE IS NOT REQUIRED WHERE A HEATED BUILDING AREA IS LOCATED ON THE FLOOR ABOVE.

1 EXTERIOR OVERHANG SPRINKLER DETAIL
 NO SCALE



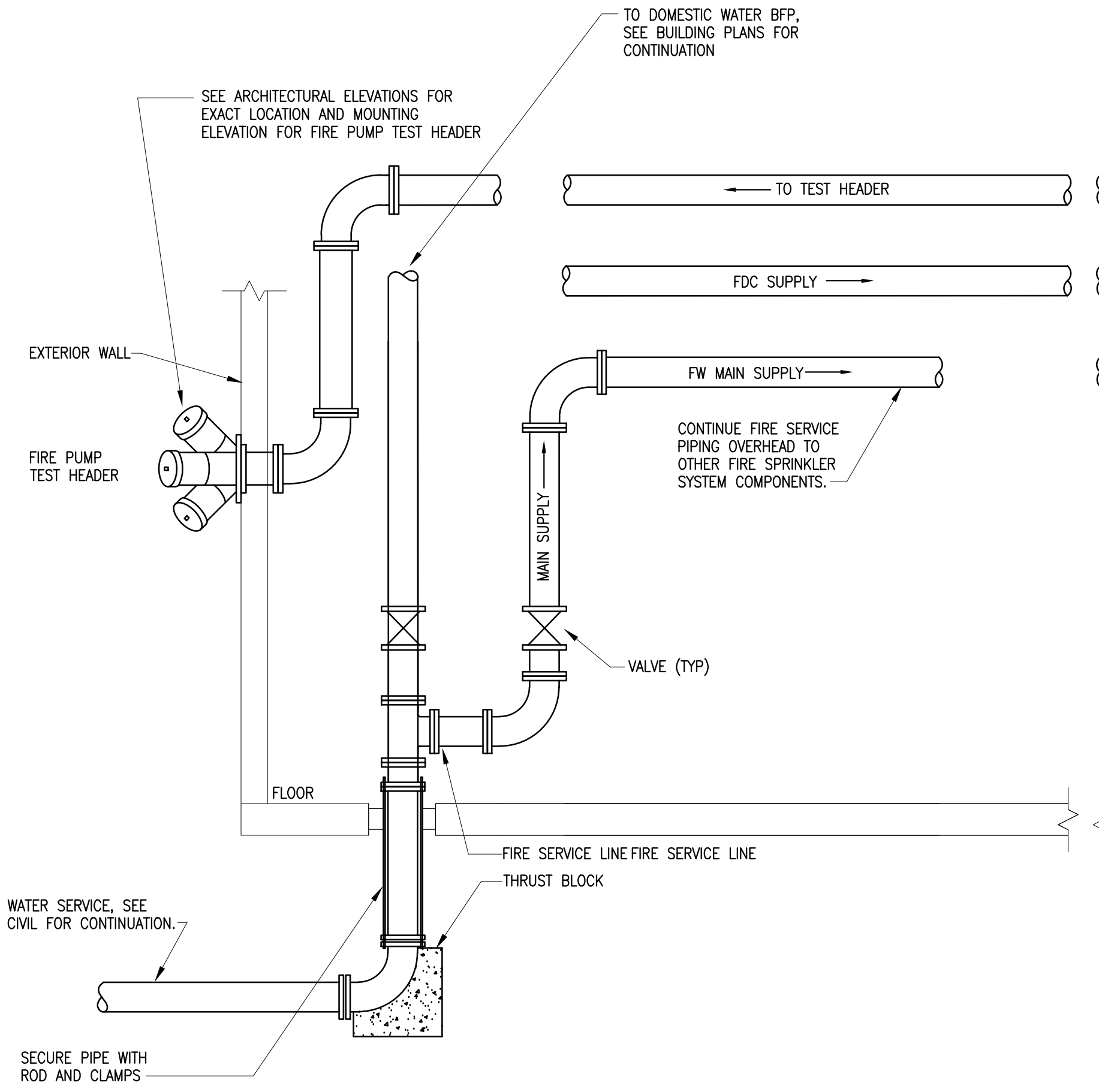
NOTES:
 1. FOLLOW ALL MANUFACTURER'S INSTRUCTIONS REGARDING INSTALLATION AND INSULATION OF DRY SPRINKLER HEAD AND ASSOCIATED PIPING.
 2. INSULATION ABOVE WET SPRINKLER PIPE IS NOT REQUIRED WHERE A HEATED BUILDING AREA IS LOCATED ON THE FLOOR ABOVE.

2 EXTERIOR OVERHANG SPRINKLER DETAIL
 NO SCALE

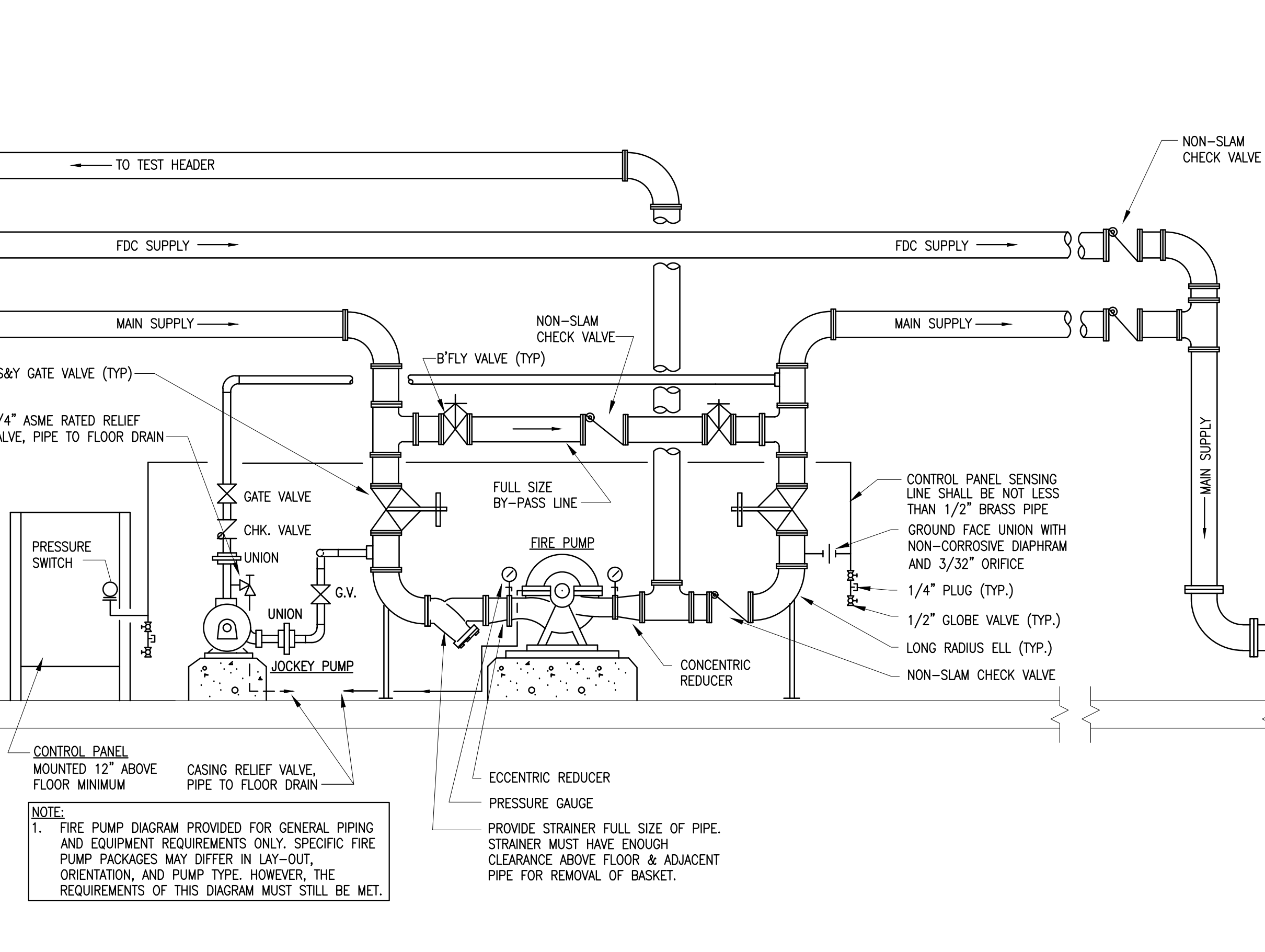


ALL VALVES AND PIPING TYPICAL FOR ALL FLOORS. PROVIDE CANE DETECTION BELOW ALL PROTRUDING FIRE PROTECTION PIPING AND EQUIPMENT PER ANSI REQUIREMENTS. CANE DETECTION SHALL BE MINIMUM OF 27" ABOVE THE FINISHED FLOOR.

3 COMBINATION STANDPIPE
 NO SCALE

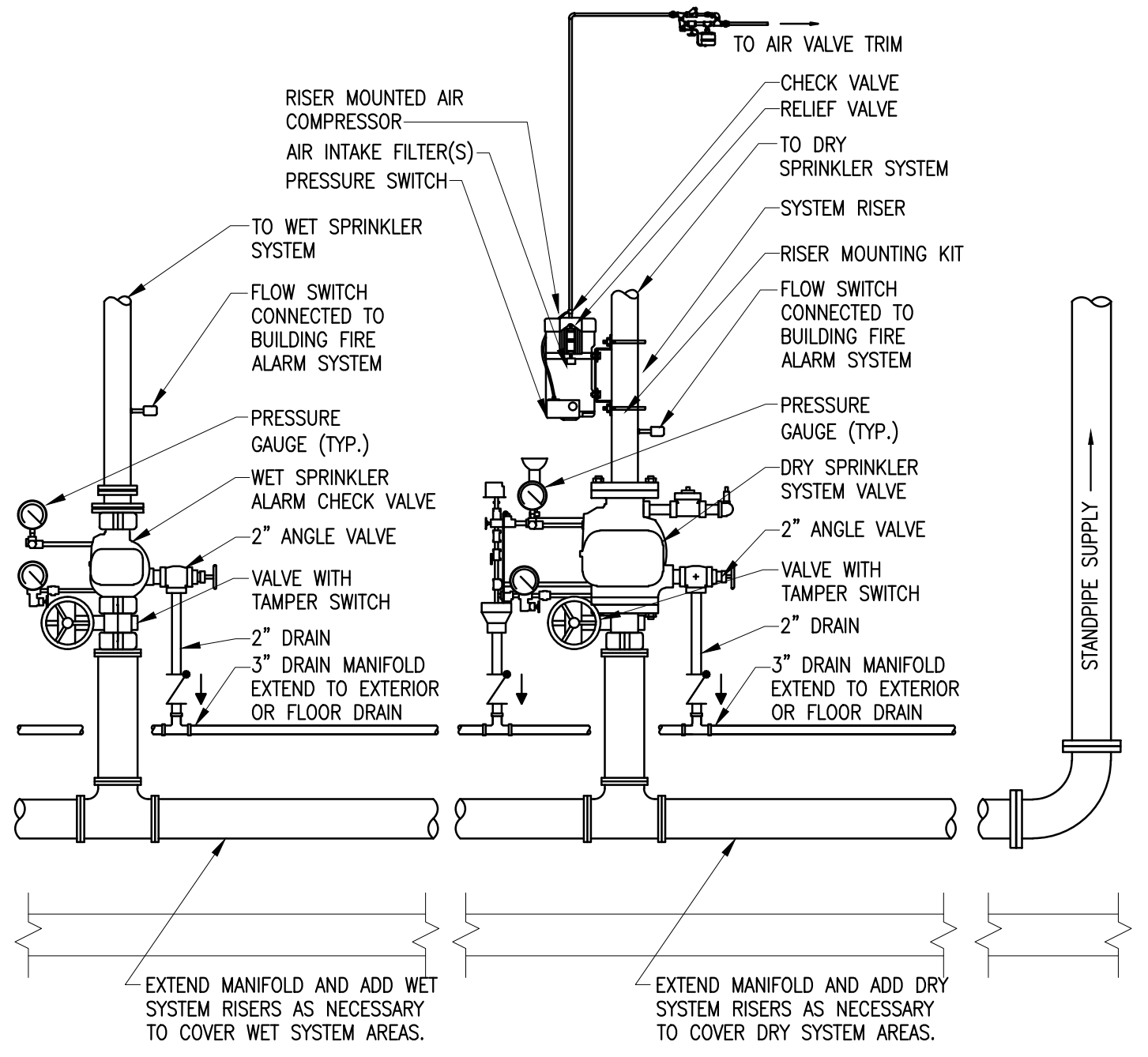


5 FIRE PROTECTION SERVICE ENTRANCE
 NO SCALE



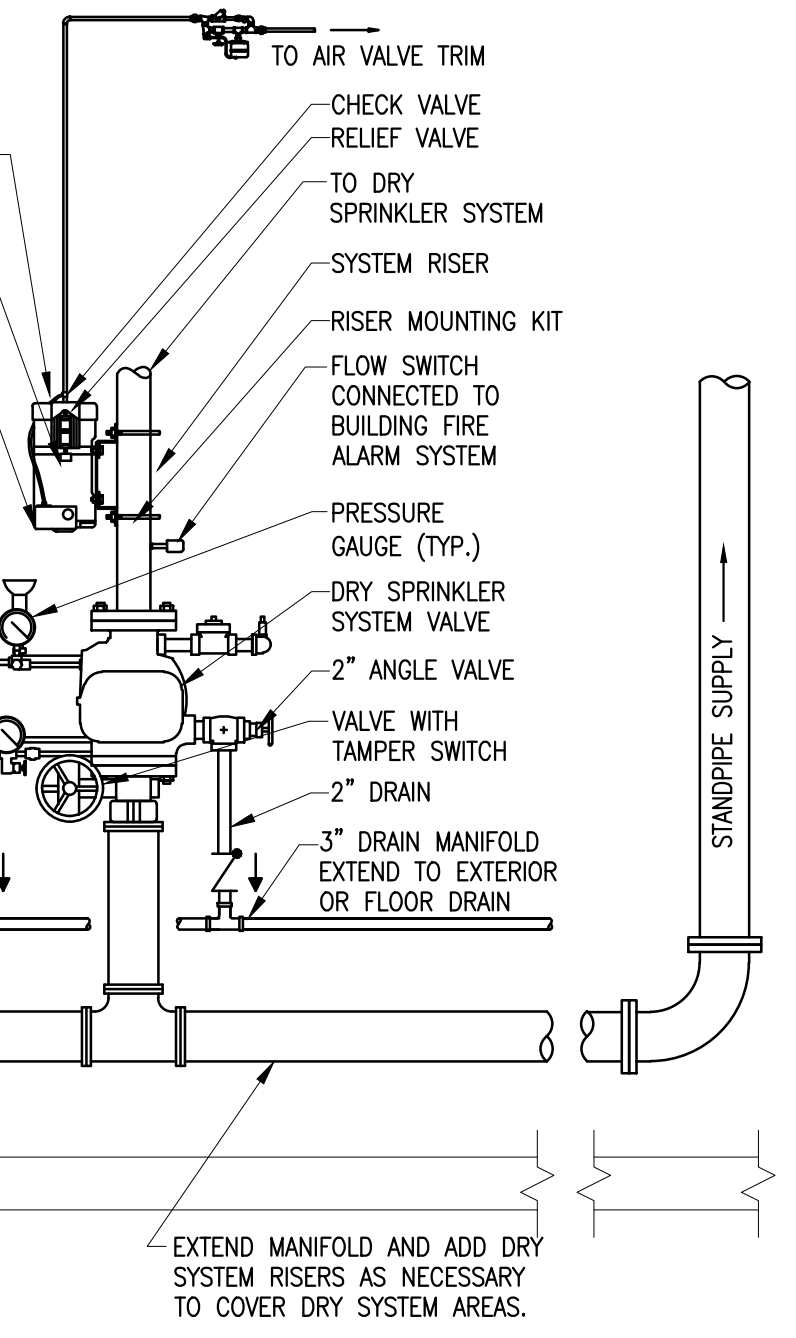
NOTE:
 1. FIRE PUMP DIAGRAM PROVIDED FOR GENERAL PIPING AND EQUIPMENT REQUIREMENTS ONLY. SPECIFIC FIRE PUMP PACKAGES MAY DIFFER IN LAY-OUT, ORIENTATION, AND PUMP TYPE. HOWEVER, THE REQUIREMENTS OF THIS DIAGRAM MUST STILL BE MET.

6 FIRE PUMP PIPING DIAGRAM
 NO SCALE



NOTES:
 1. FLOW SWITCH IS FOR CONNECTION TO FIRE ALARM SYSTEM OR REMOTE ALARM.
 2. ALL INDICATING VALVES SHALL BE SUPERVISED BY A TAMPER SWITCH CONNECTED TO THE FIRE ALARM SYSTEM AND BY LOCKING OPEN. PROVIDE TAMPER SWITCH AT EVERY CONTROL VALVE AS INDICATED BY LOCAL JURISDICTION HAVING AUTHORITY. COORDINATE WITH ELECTRICAL CONTRACTOR PRIOR TO PRICING. NO CHANGE ORDER WILL BE ALLOWED AFTER BID FOR CONNECTION TO FIRE SYSTEM.

7 WET SPRINKLER RISER
 NO SCALE



8 DRY SPRINKLER RISER
 NO SCALE

PHILLIPS GRADICK ENGINEERING, P.C. P.E.# 218053
 500 Super Mile Rd. #100
 Atlanta, Georgia 30350 (770) 650-9861 (TX) (770) 642-2400 (FL)

This drawing, as an instrument of service, is and shall remain the property of Phillips Gradick Engineering, P.C. and shall not be reproduced, published or used in any way without the permission of Phillips Gradick Engineering, P.C. This drawing is copyrighted and protected under section 102 of the U.S. Copyright Act 1976. The permission included here is not limited to design and construction professionals. Unauthorized use or flow of this drawing without the express written permission of Phillips Gradick Engineering, P.C. is prohibited.