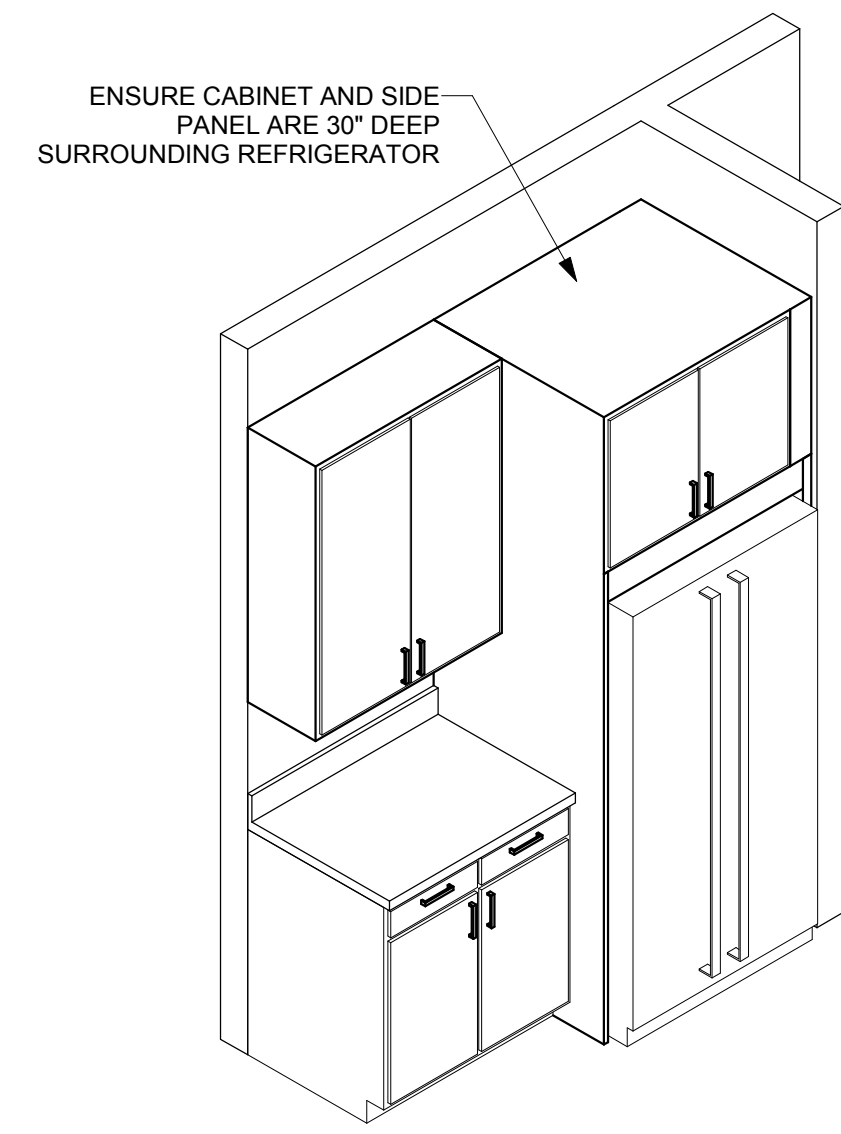
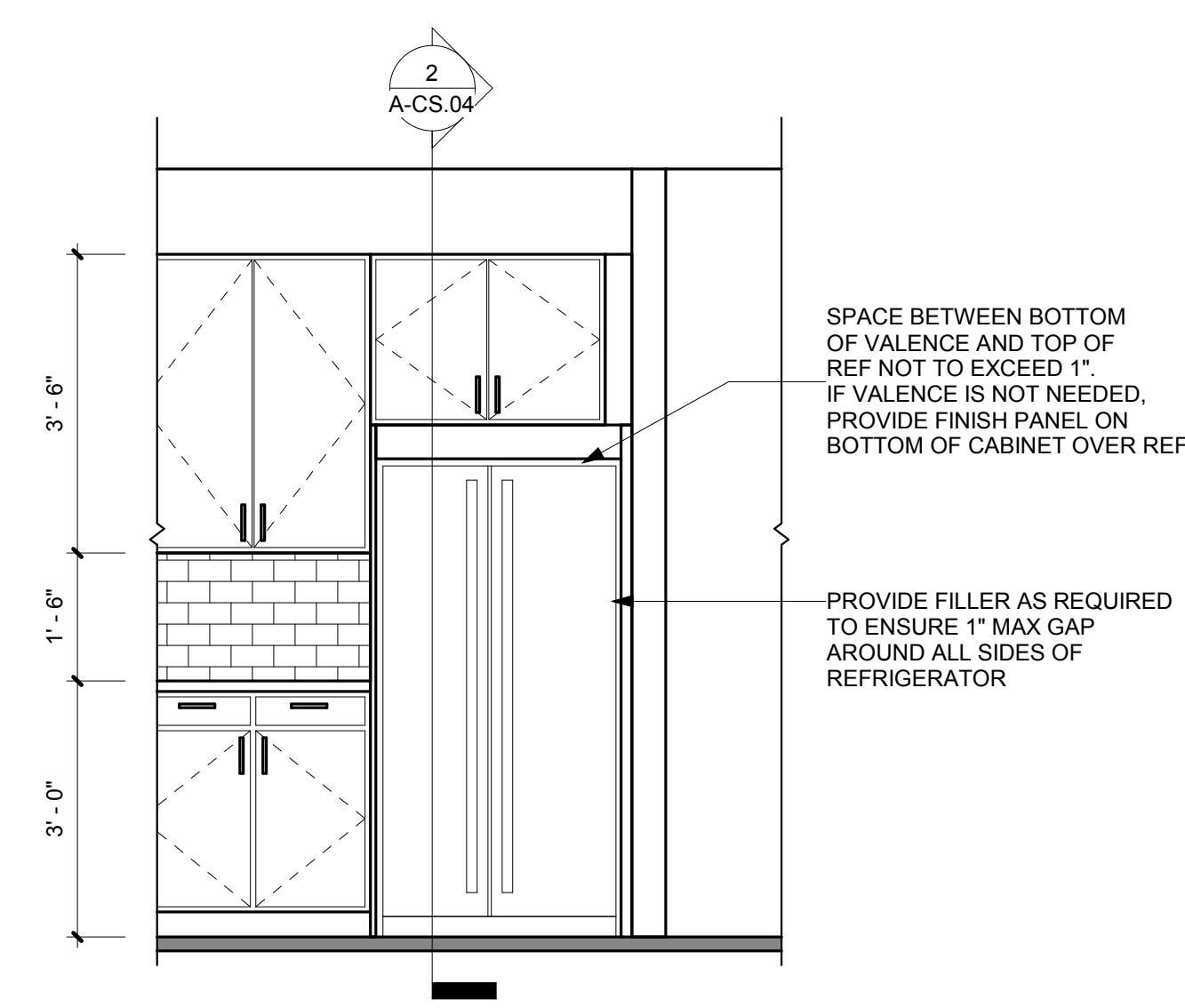


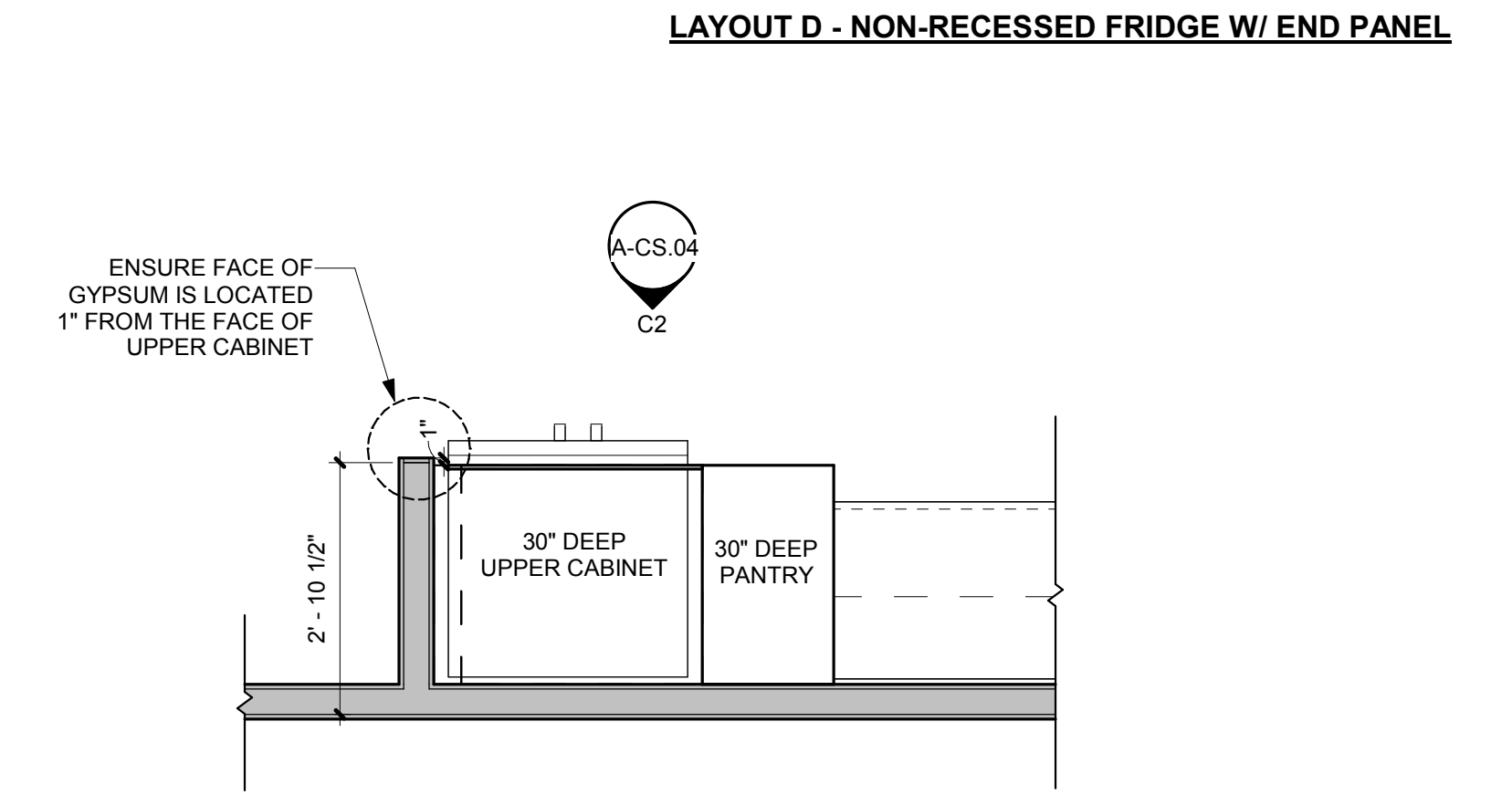
2 SECTION - NON-RECESSED FRIDGE
1/2" = 1'-0"



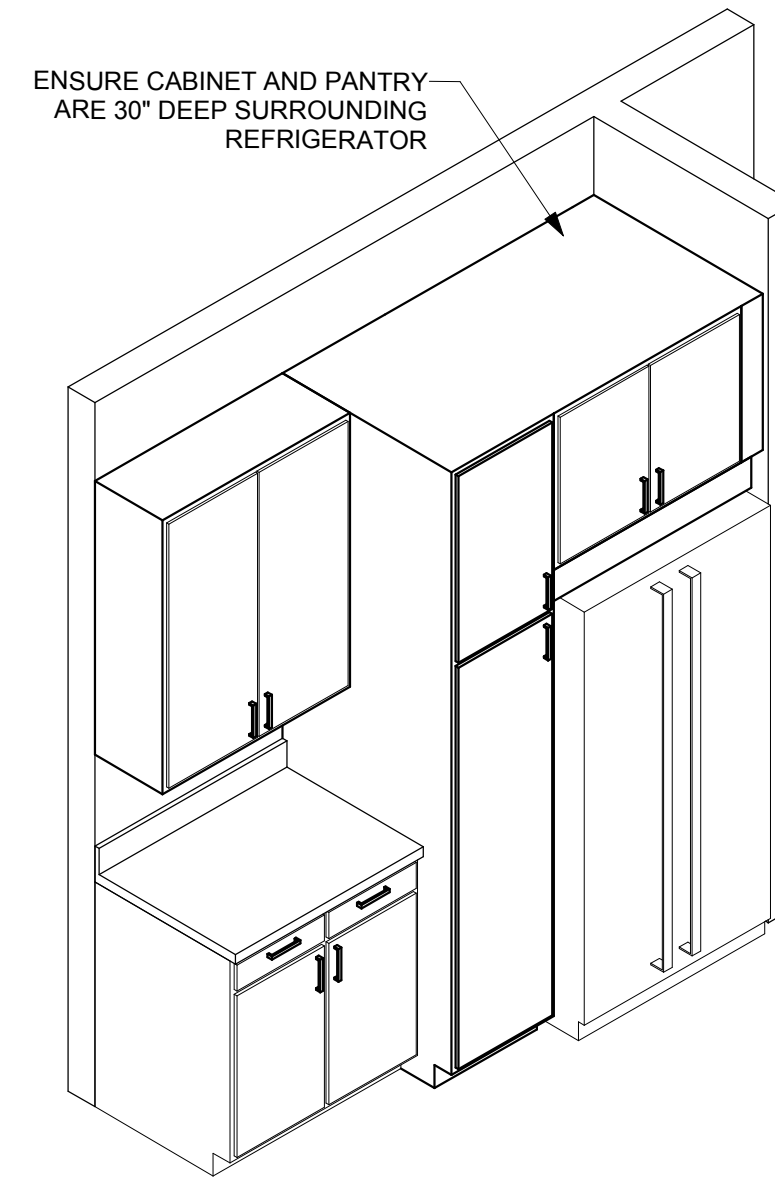
D3 3D AXON - LAYOUT D



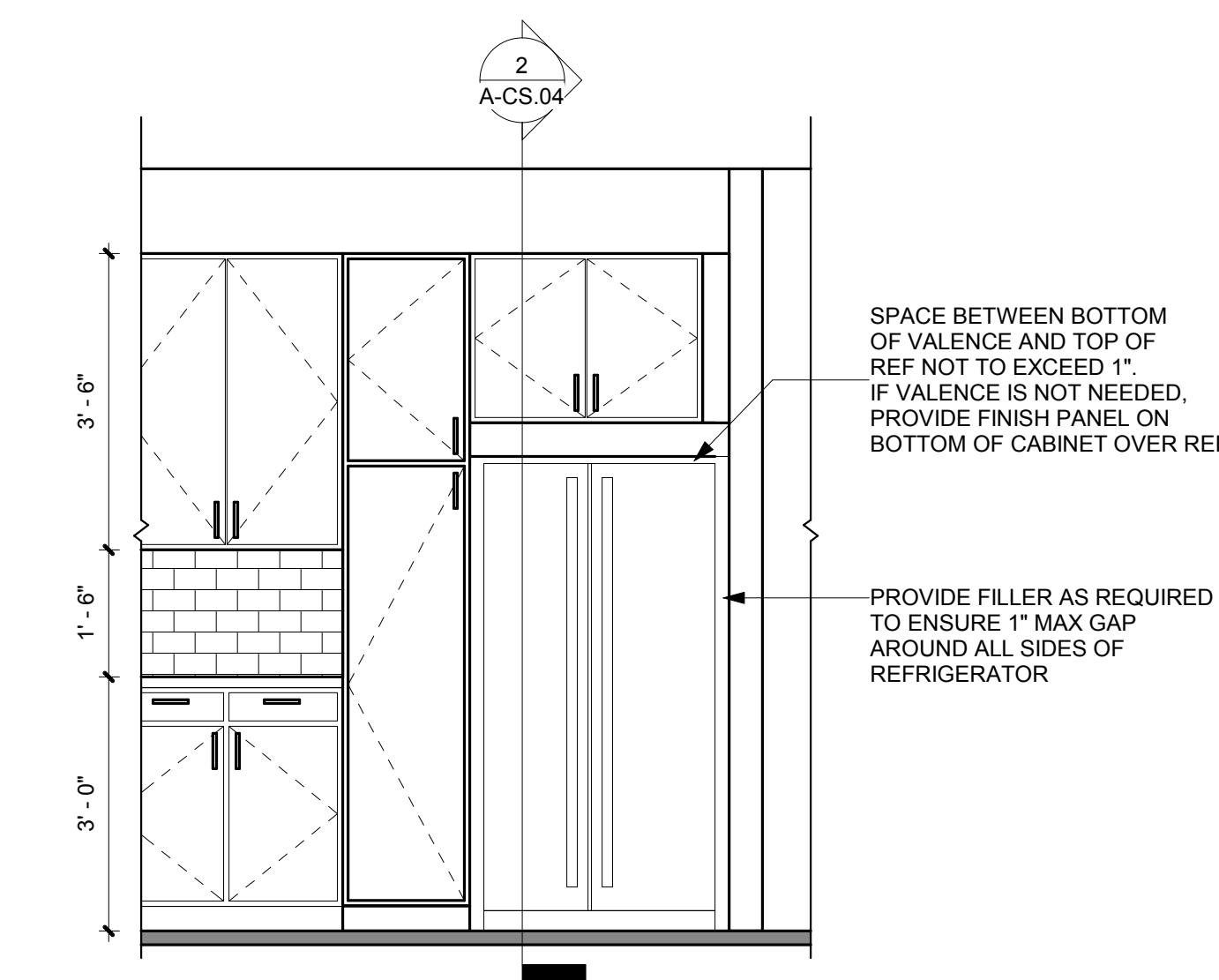
D2 ELEVATION - LAYOUT D
1/2" = 1'-0"



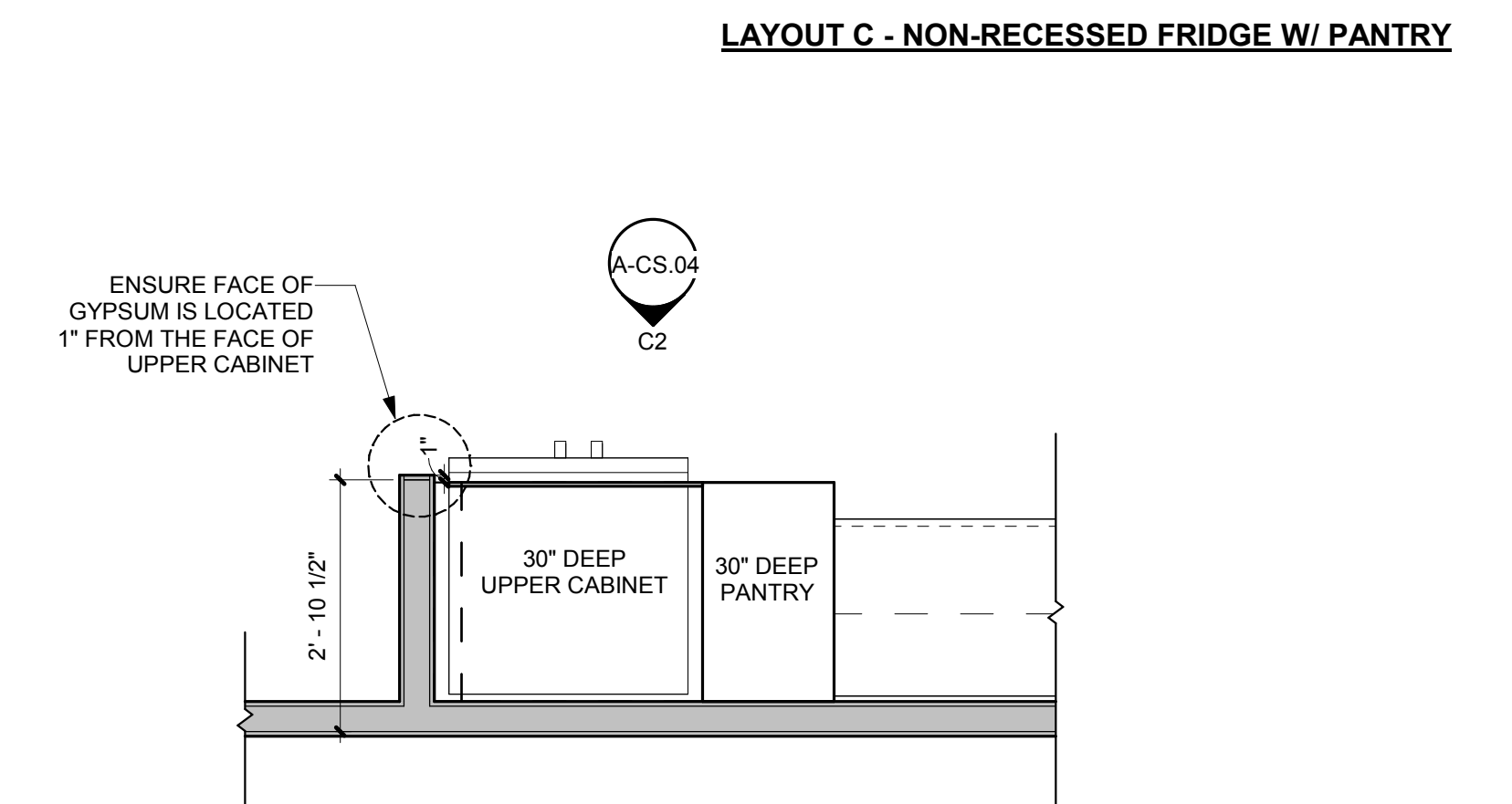
D1 FLOOR PLAN - LAYOUT D
1/2" = 1'-0"



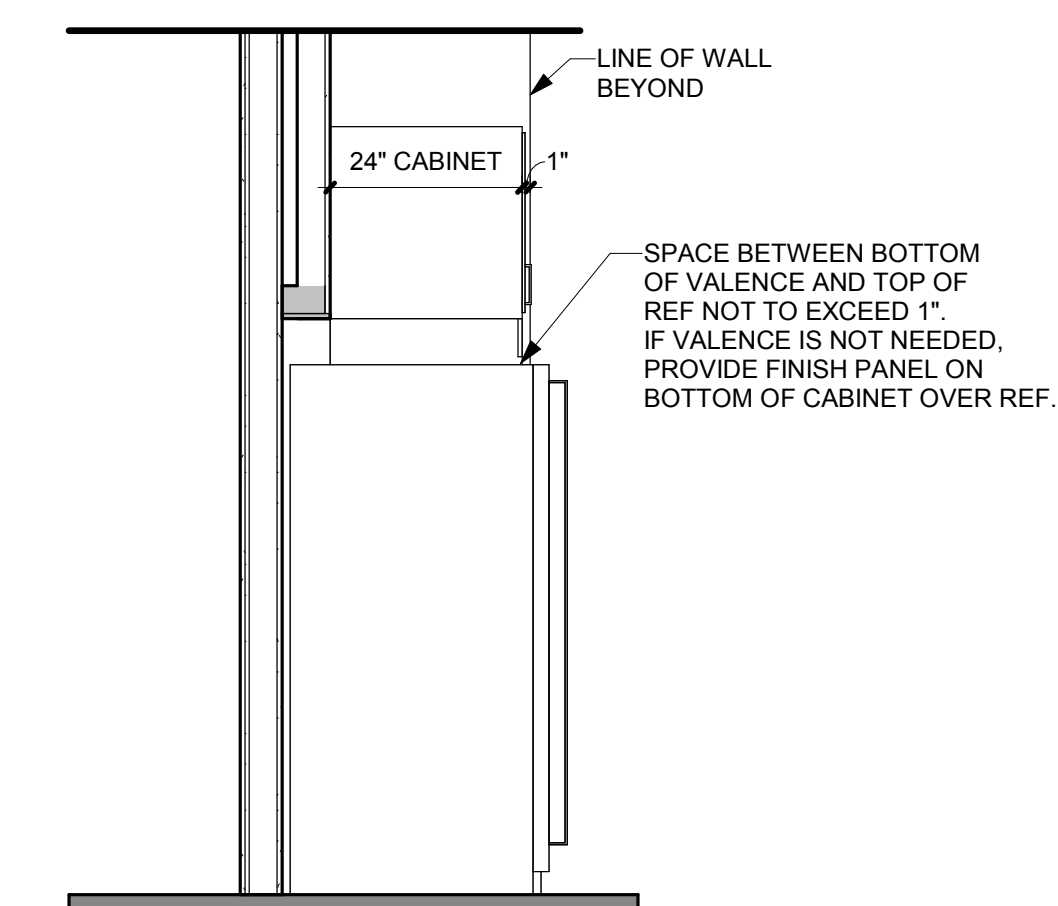
C3 3D AXON - LAYOUT C



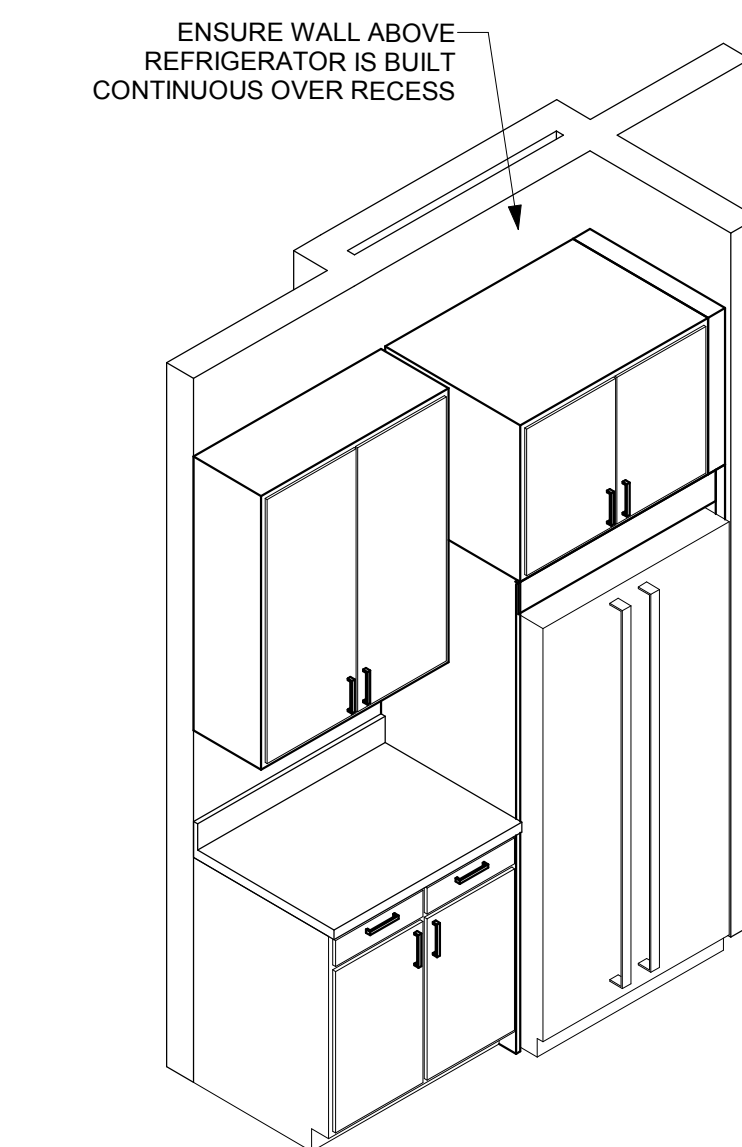
C2 ELEVATION - LAYOUT C
1/2" = 1'-0"



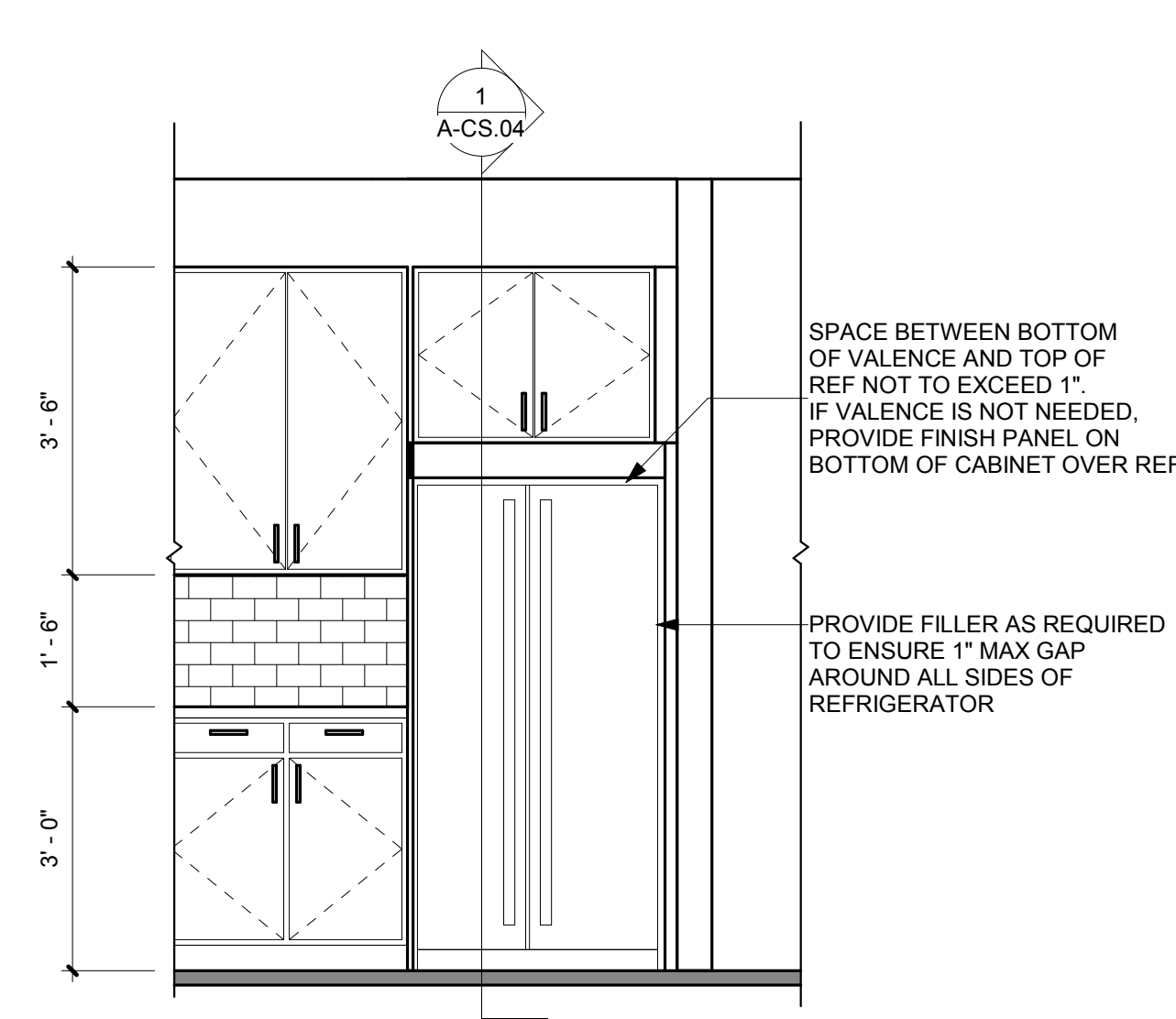
C1 FLOOR PLAN - LAYOUT C
1/2" = 1'-0"



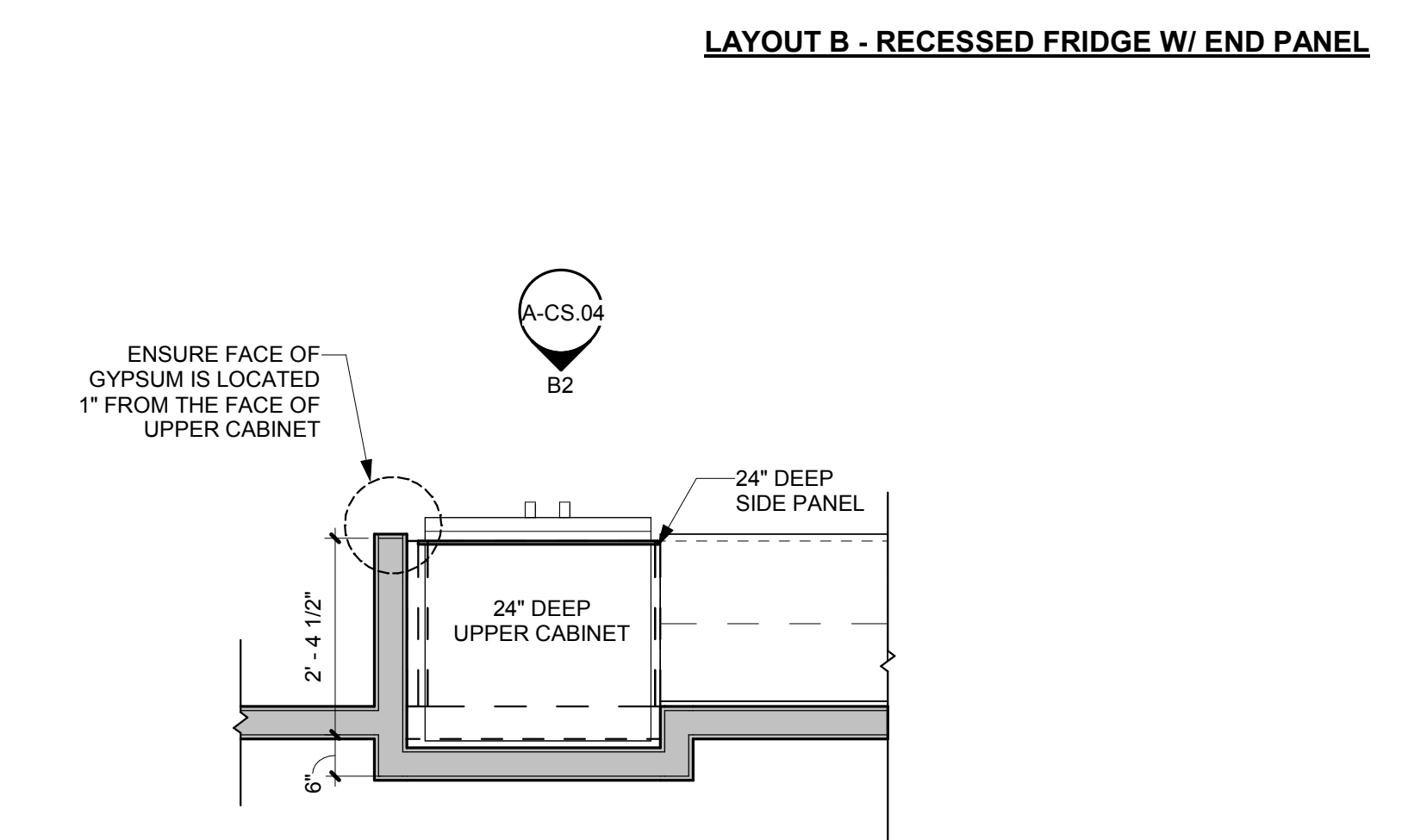
1 SECTION - RECESSED FRIDGE
1/2" = 1'-0"



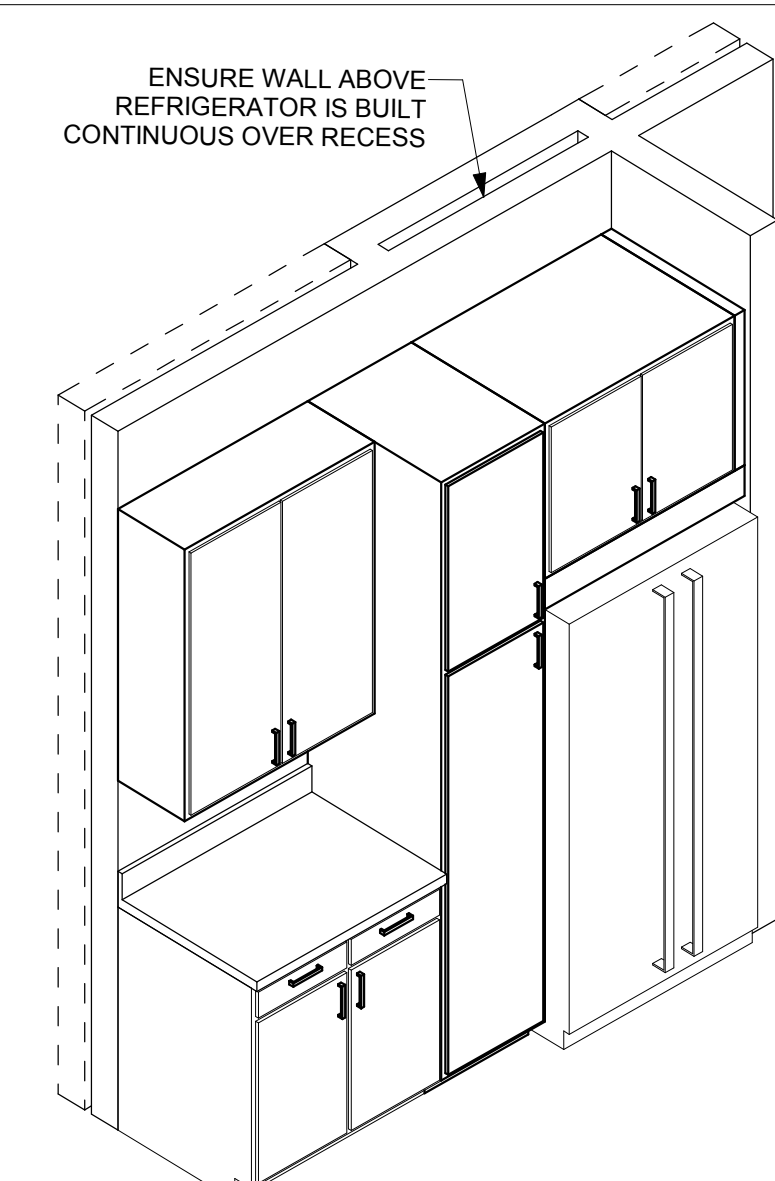
B3 3D AXON - LAYOUT B



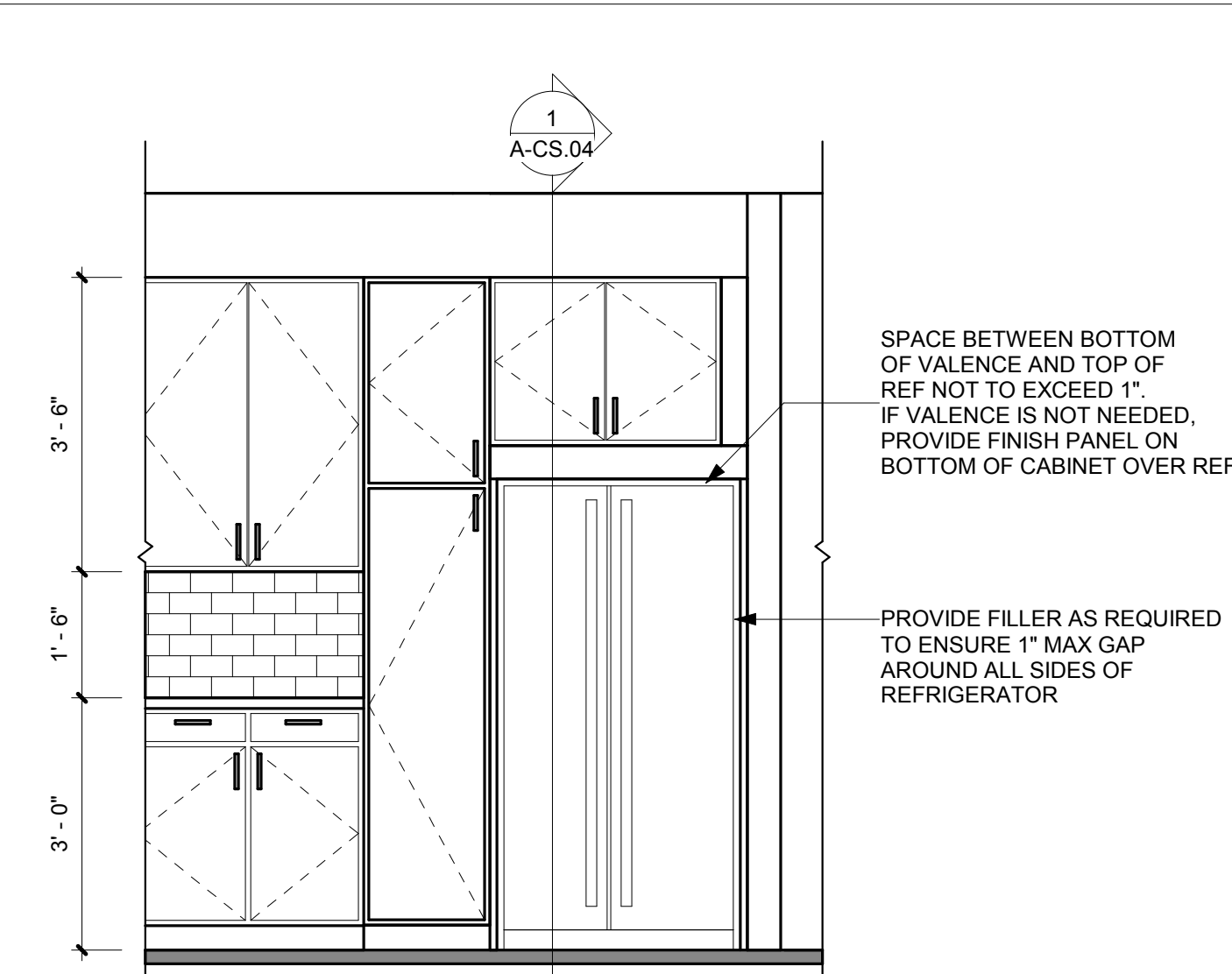
B2 ELEVATION - LAYOUT B
1/2" = 1'-0"



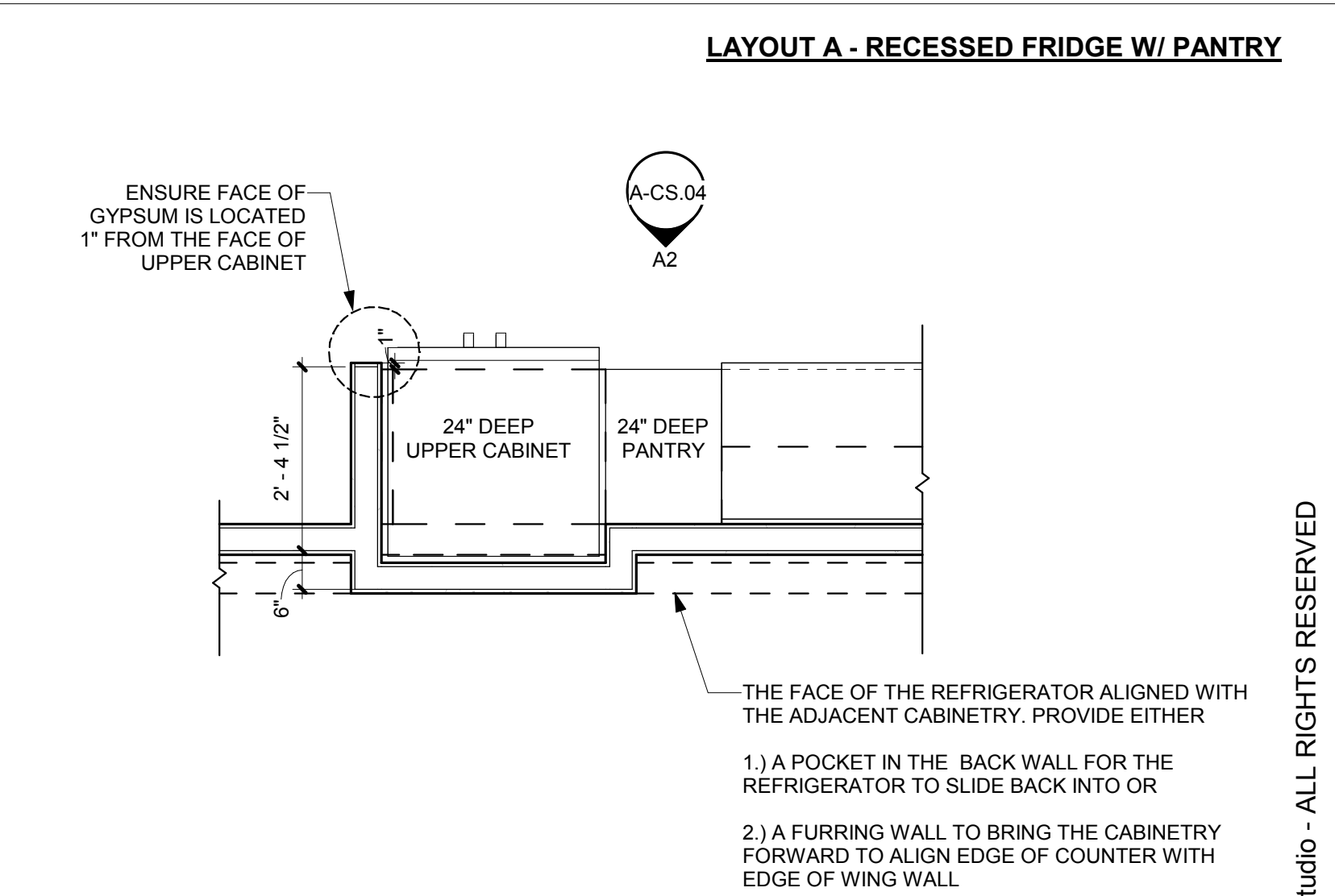
B1 FLOOR PLAN - LAYOUT B
1/2" = 1'-0"



A3 3D AXON - LAYOUT A



A2 ELEVATION - LAYOUT A
1/2" = 1'-0"



A1 FLOOR PLAN - LAYOUT A
1/2" = 1'-0"

ISSUE	DATE	DESCRIPTION	APPROVED
06/28/2019	06/28/2019	SCHEMATIC DESIGN	
06/28/2019	06/28/2019	DESIGN DEVELOPMENT	X

REVISION	DATE	DESCRIPTION	BY

NO.	DESCRIPTION	DATE

NOVEL LOSO
THE DRAWINGS ARE ASSIGNED TO YOU AND THE EXCLUSIVE PROPERTY OF DWELL DESIGN STUDIO. ANY AND ALL REVISIONS TO THESE DRAWINGS MUST BE APPROVED BY DWELL DESIGN STUDIO. NO PART OF THESE DRAWINGS ARE TO BE REPRODUCED OR TRANSMITTED IN ANY FORM OR BY ANY MEANS, ELECTRONIC OR MECHANICAL, INCLUDING PHOTOCOPYING, RECORDING, OR BY ANY INFORMATION STORAGE AND RETRIEVAL SYSTEM, WITHOUT THE WRITTEN PERMISSION OF DWELL DESIGN STUDIO.

CRESCENT STANDARDS - REFRIGERATOR LAYOUTS

JOB NUMBER: 195603
DRAWN BY: DDS
CHECKED BY: EN / ML

A-CS.04
NOT FOR CONSTRUCTION