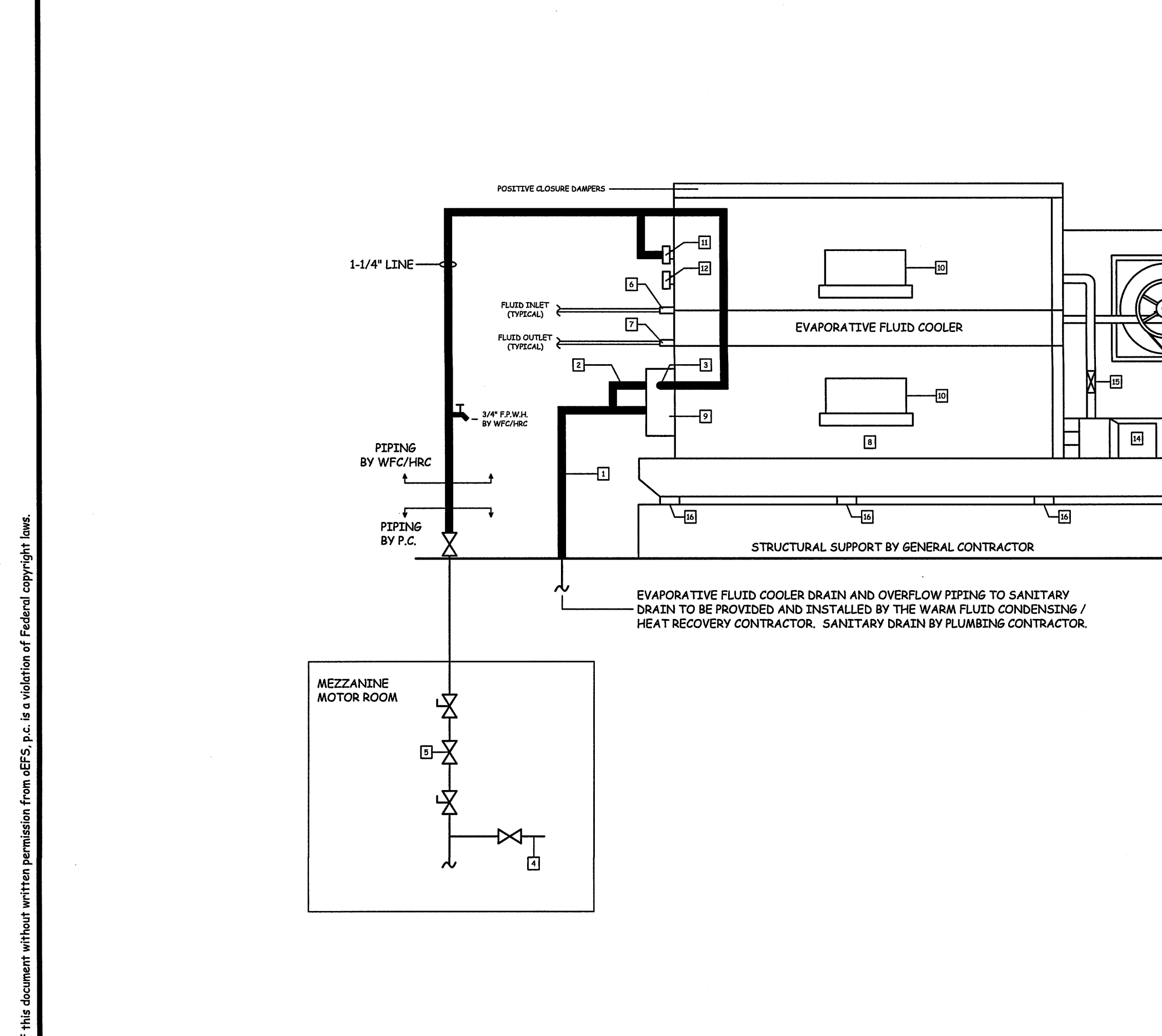
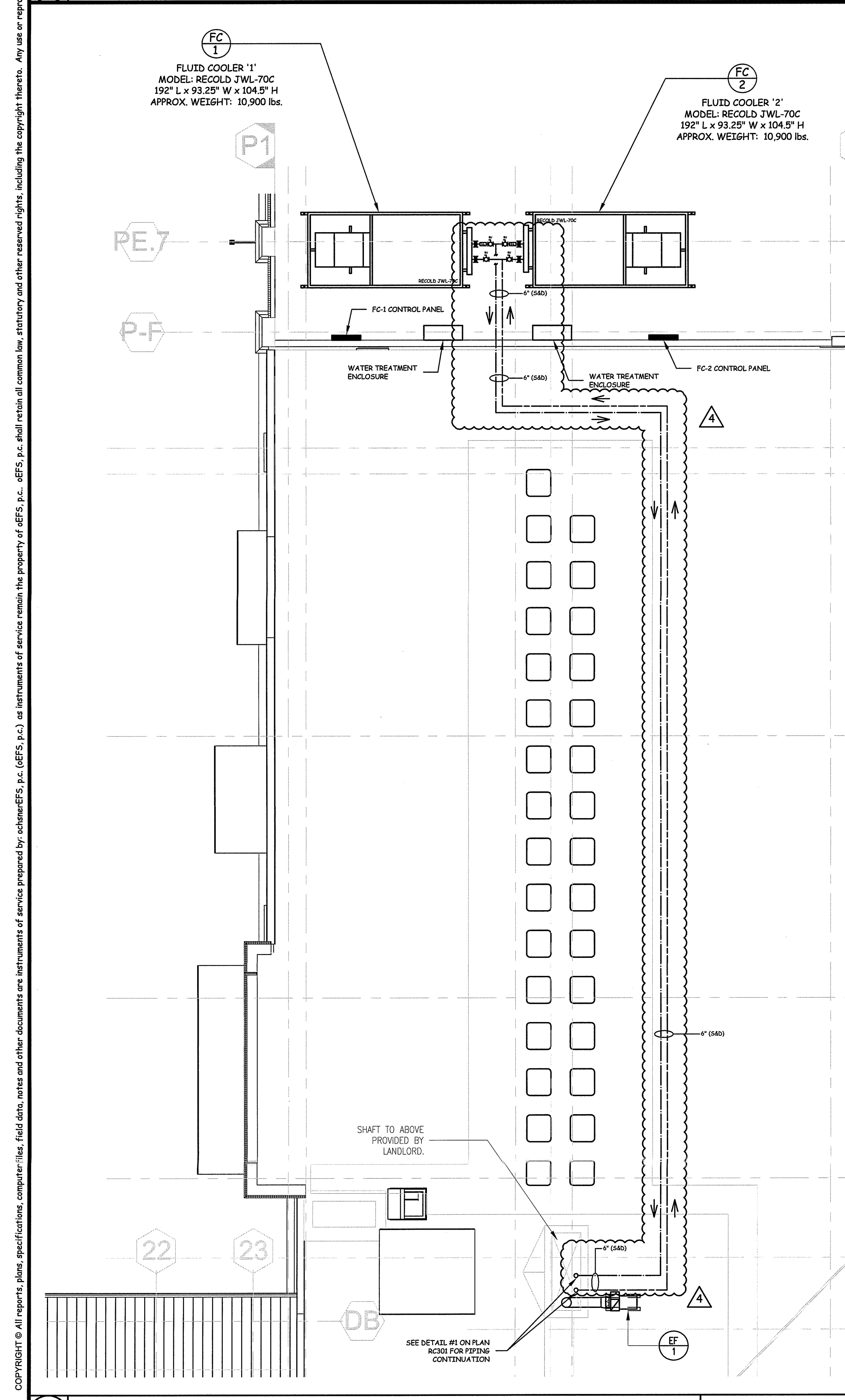


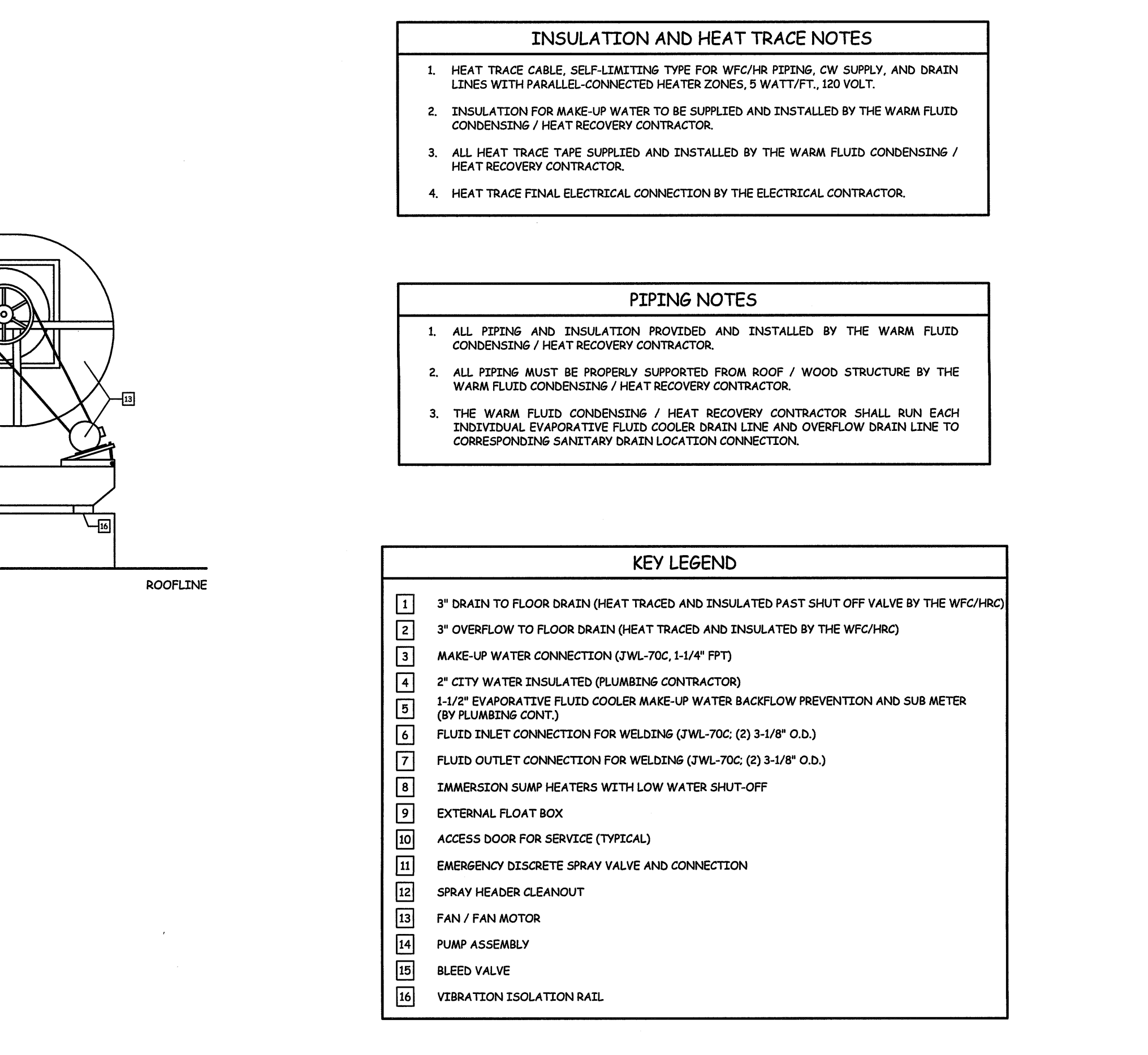
No.	Description	Date
1	BULLETIN 4	03-29-18
2	ISSUED FOR CONSTRUCTION	04-04-17
3	BD / PERMIT	10-28-16
4	NO. 16-0078	16-0078
5	Drawn By: RSK	
6	Reviewed By: DAO	
7	Scale:	
8	Date:	10-28-16
9	Filename:	
10	Sheet Title:	



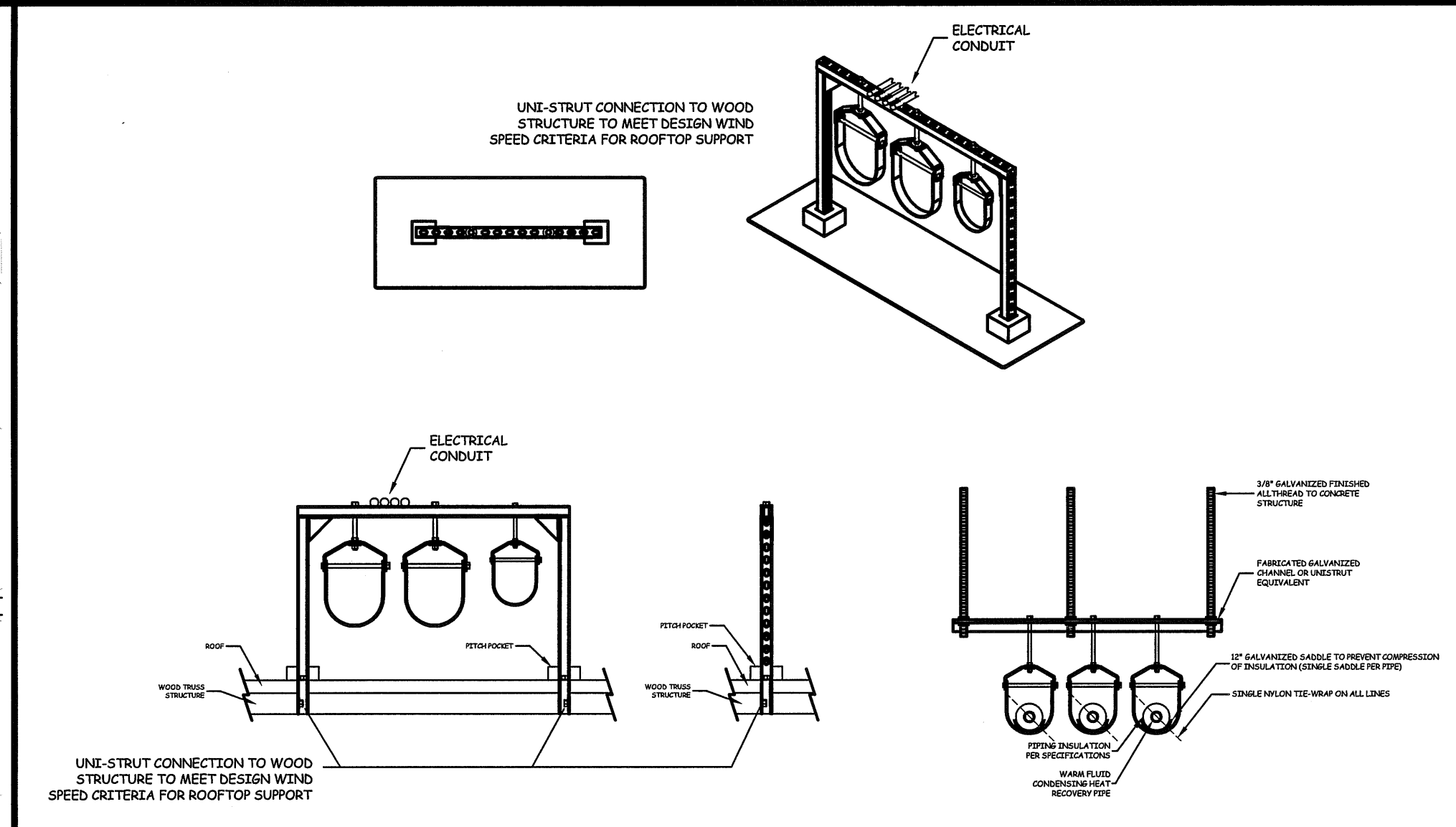
1 EVAPORATIVE FLUID COOLER PIPING DETAIL



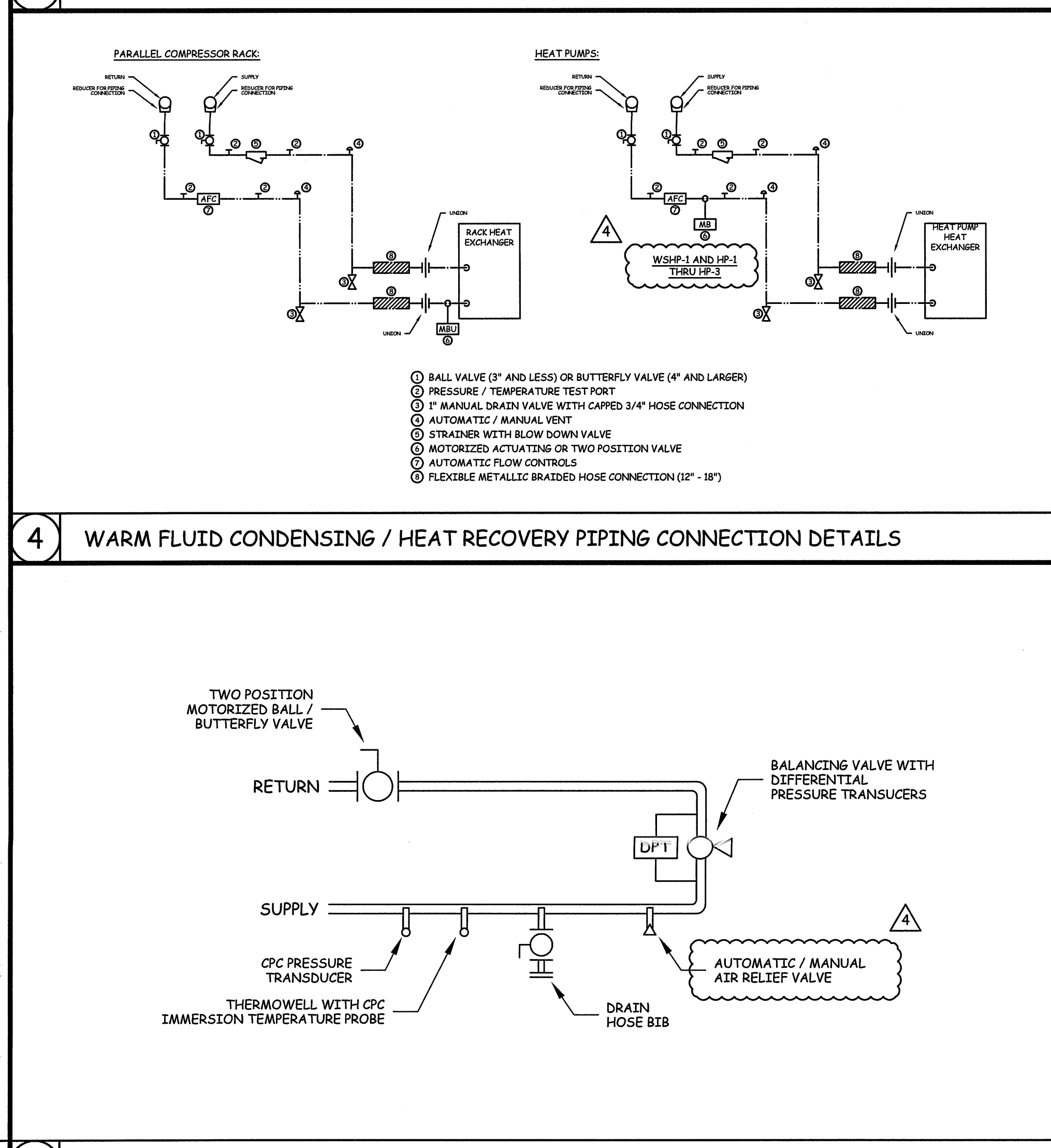
2 ROOFTOP WARM FLUID C/HR PIPING DETAIL



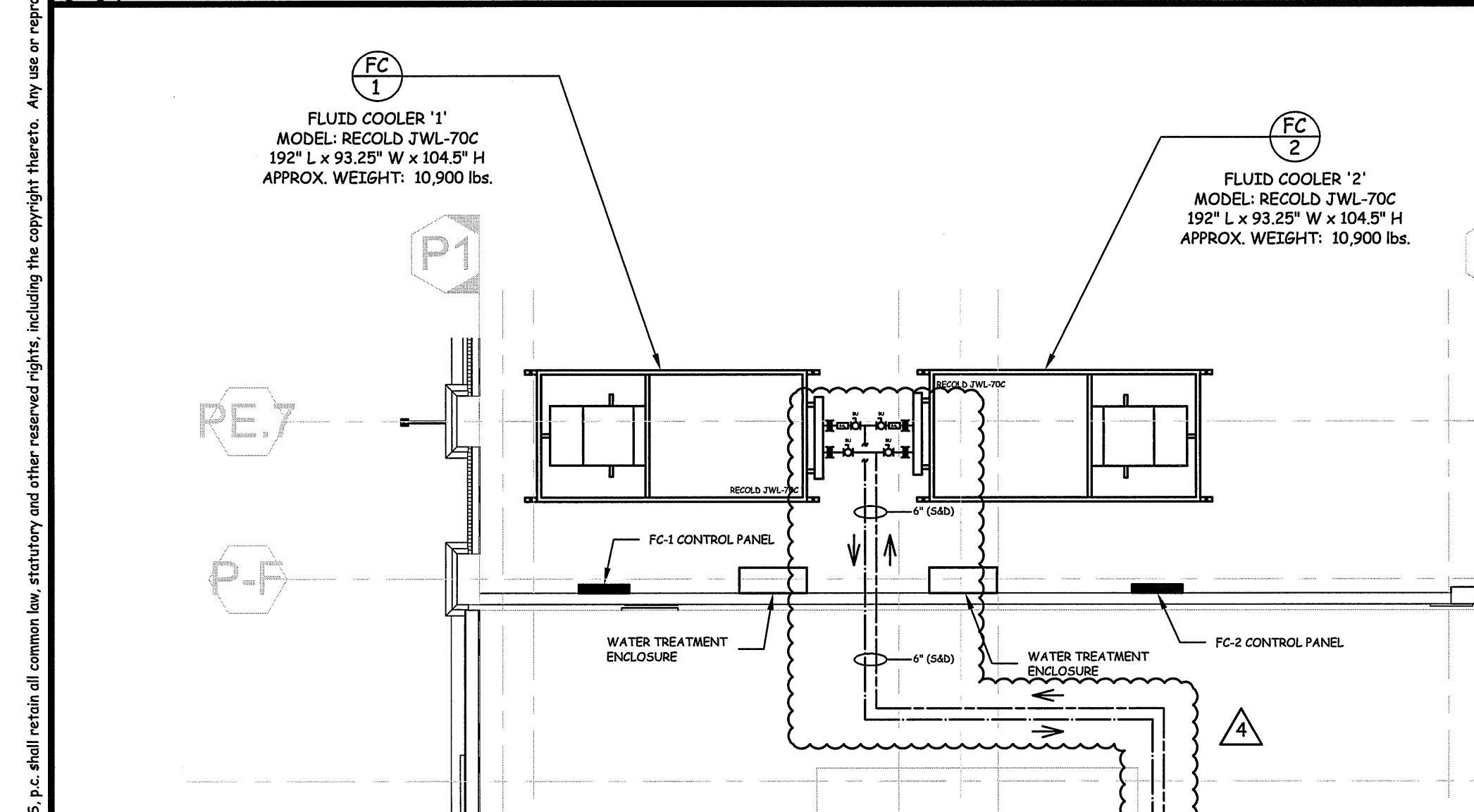
3 WARM FLUID LOOP PIPING SUPPORT DETAIL



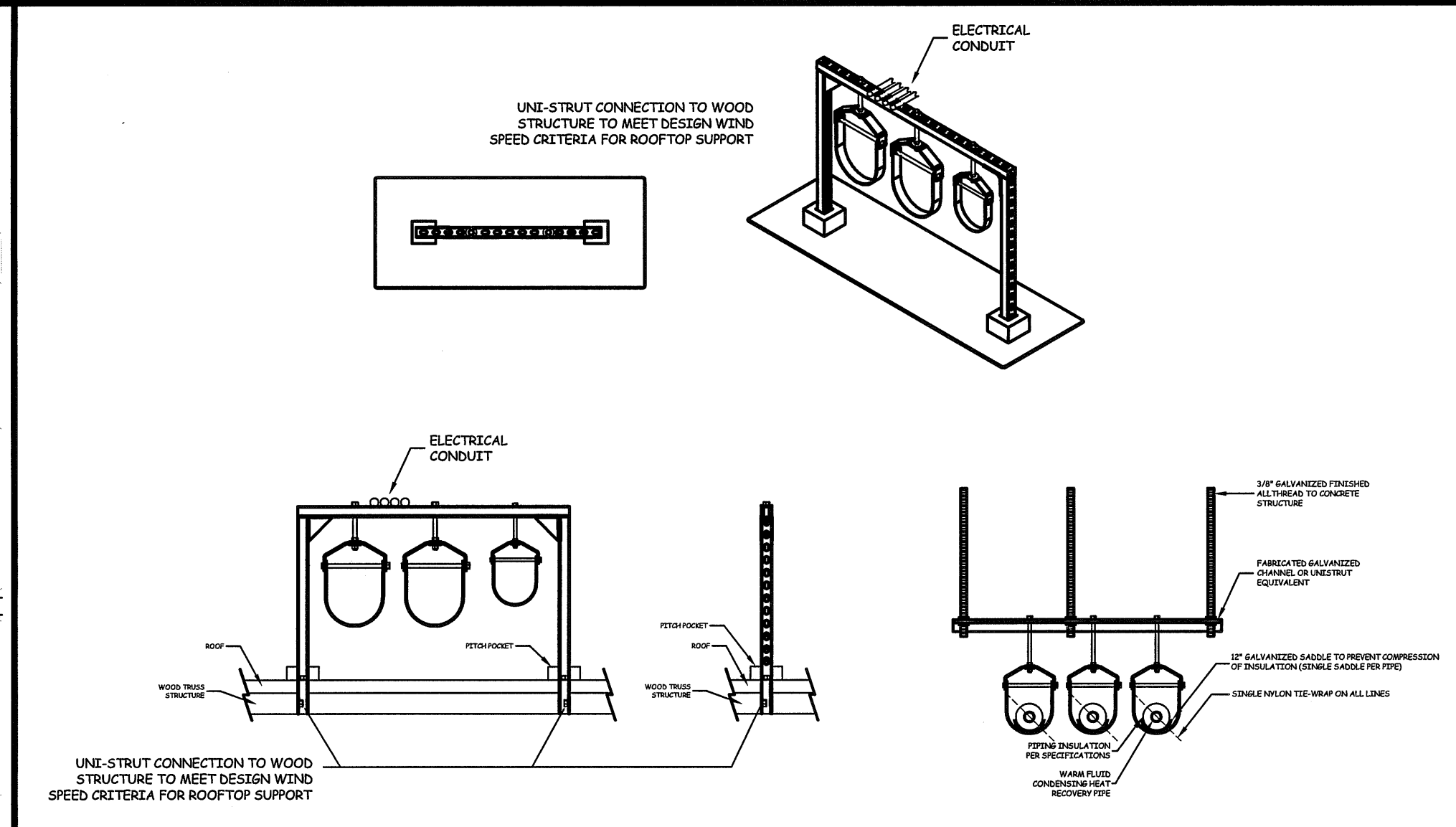
4 WARM FLUID CONDENSING / HEAT RECOVERY PIPING CONNECTION DETAILS



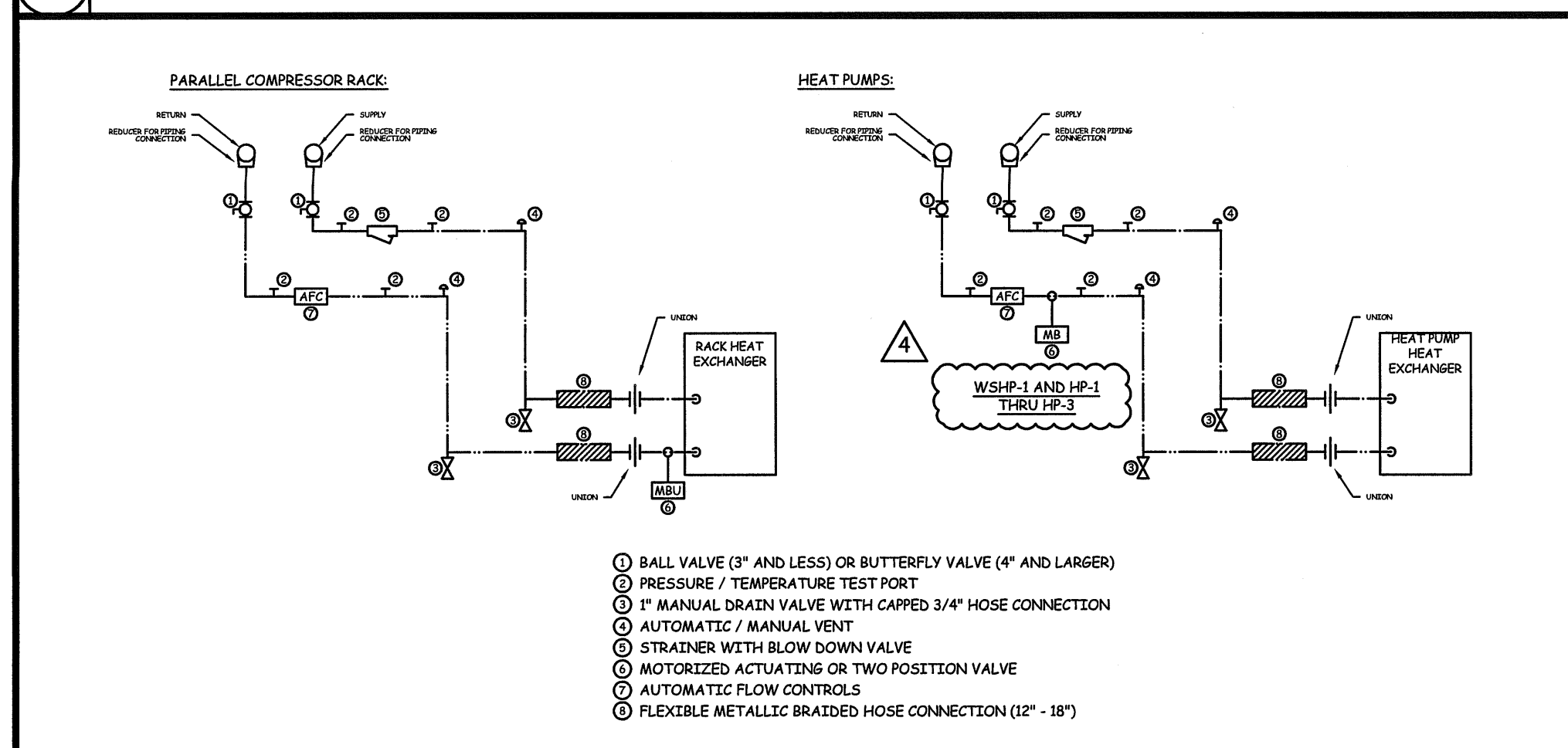
5 END OF WARM FLUID CONDENSING / HEAT RECOVERY LOOP PIPING DETAIL



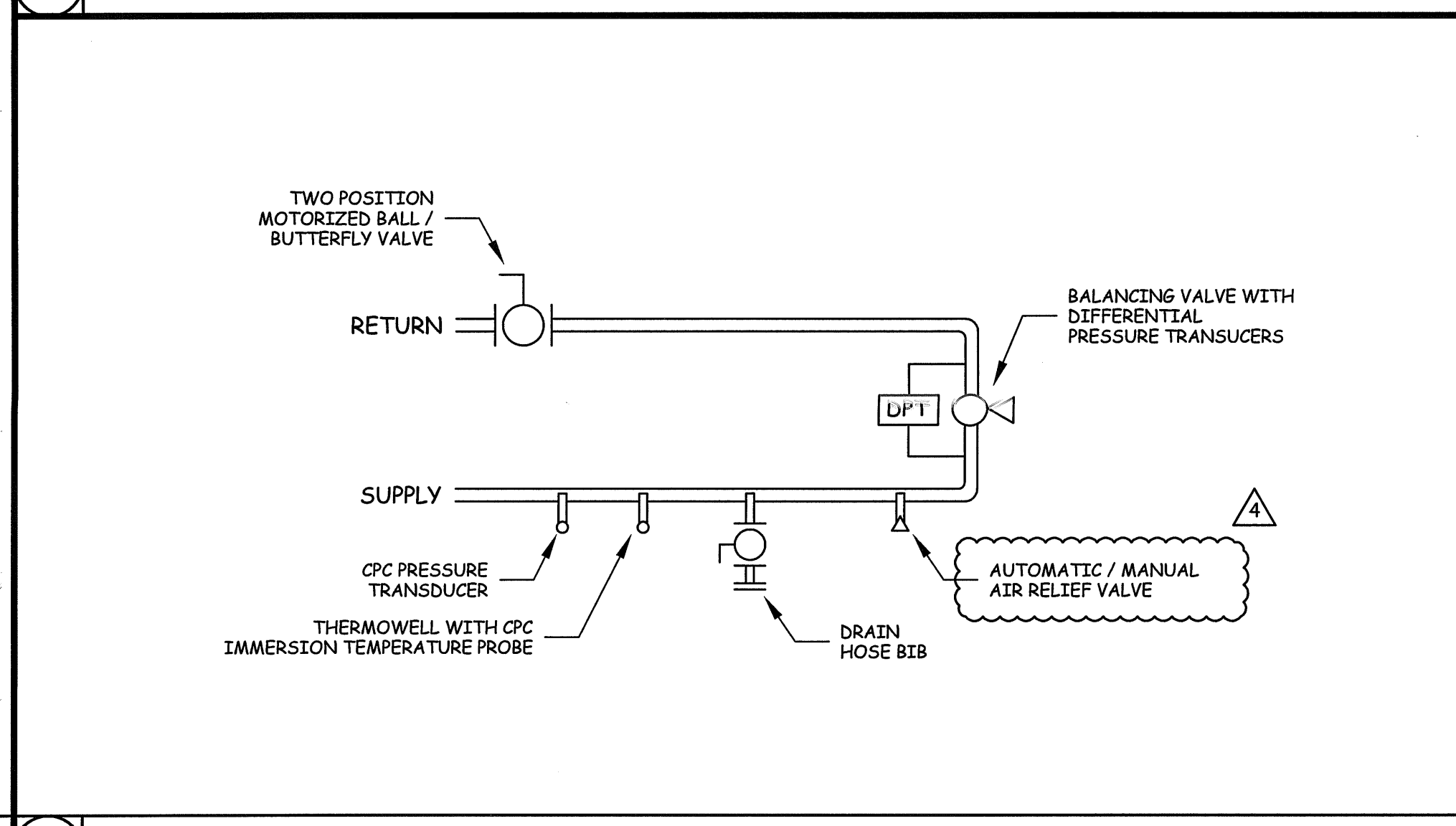
6 REFRIGERATION PIPING / HANGER DETAILS



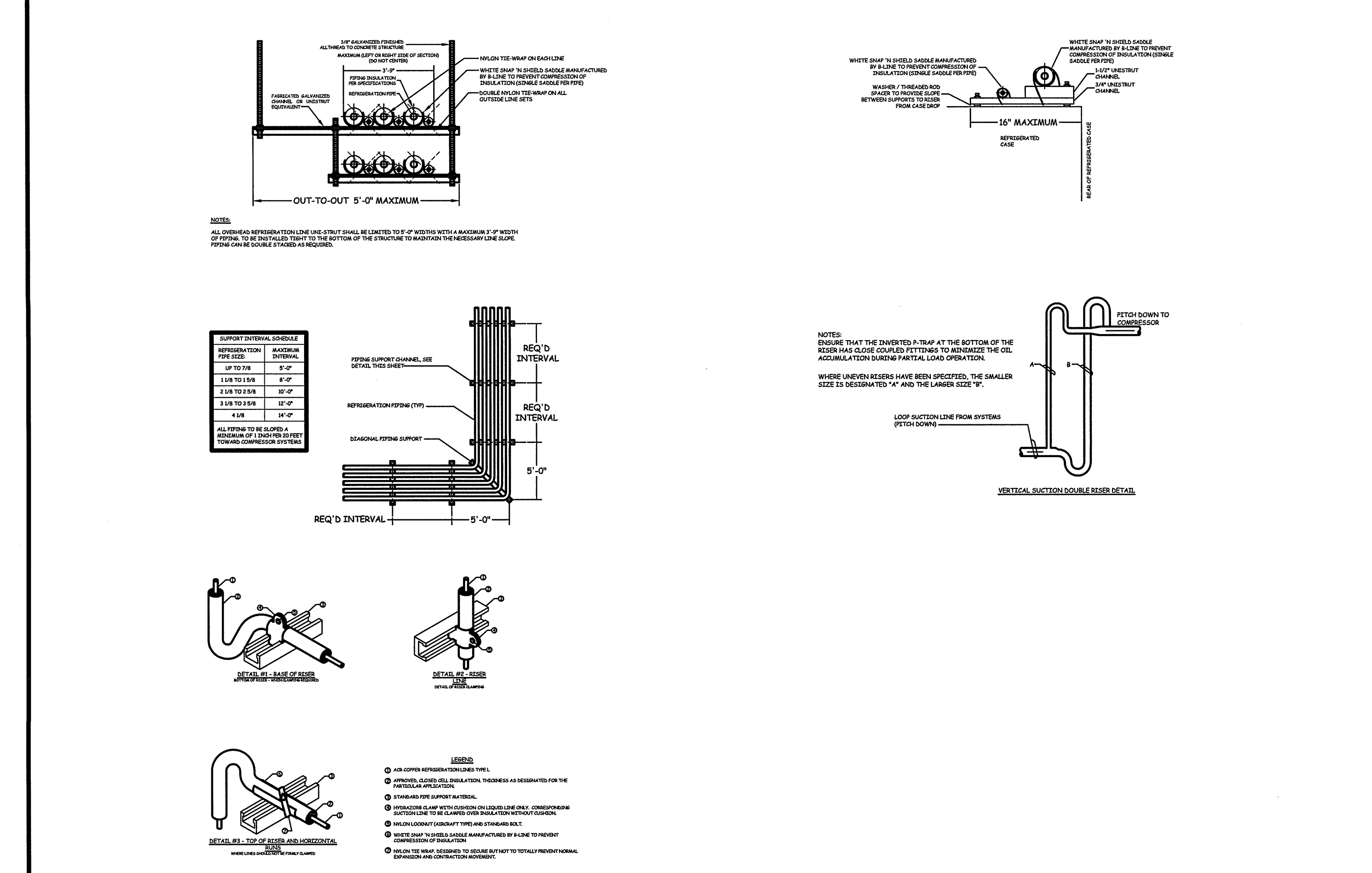
7 FIELD FABRICATED REFRIGERATION LIQUID/SUCTION HEADER CONSTRUCTION DETAIL



8 REFRIGERATION SHUTDOWN PIPING DETAIL



9 OVERHEAD REFRIGERATION LLSV/EPR PIPING DETAIL IN DROP CEILING AREAS



10 INSULATION AND HEAT TRACE NOTES

COPYRIGHT © All reports, plans, specifications, computer files, field data, notes and other documents are instruments of service prepared by OchsnerEFS, P.C. (OchsnerEFS, P.C.) as instruments of service remain the property of OchsnerEFS, P.C. (OchsnerEFS, P.C.) No part of these instruments of service may be reproduced, stored, transmitted, or disseminated, in any form, or by any means, without the prior written consent of OchsnerEFS, P.C. (OchsnerEFS, P.C.). Any use or reproduction of these instruments of service without the prior written consent of OchsnerEFS, P.C. (OchsnerEFS, P.C.) is a violation of federal copyright laws.