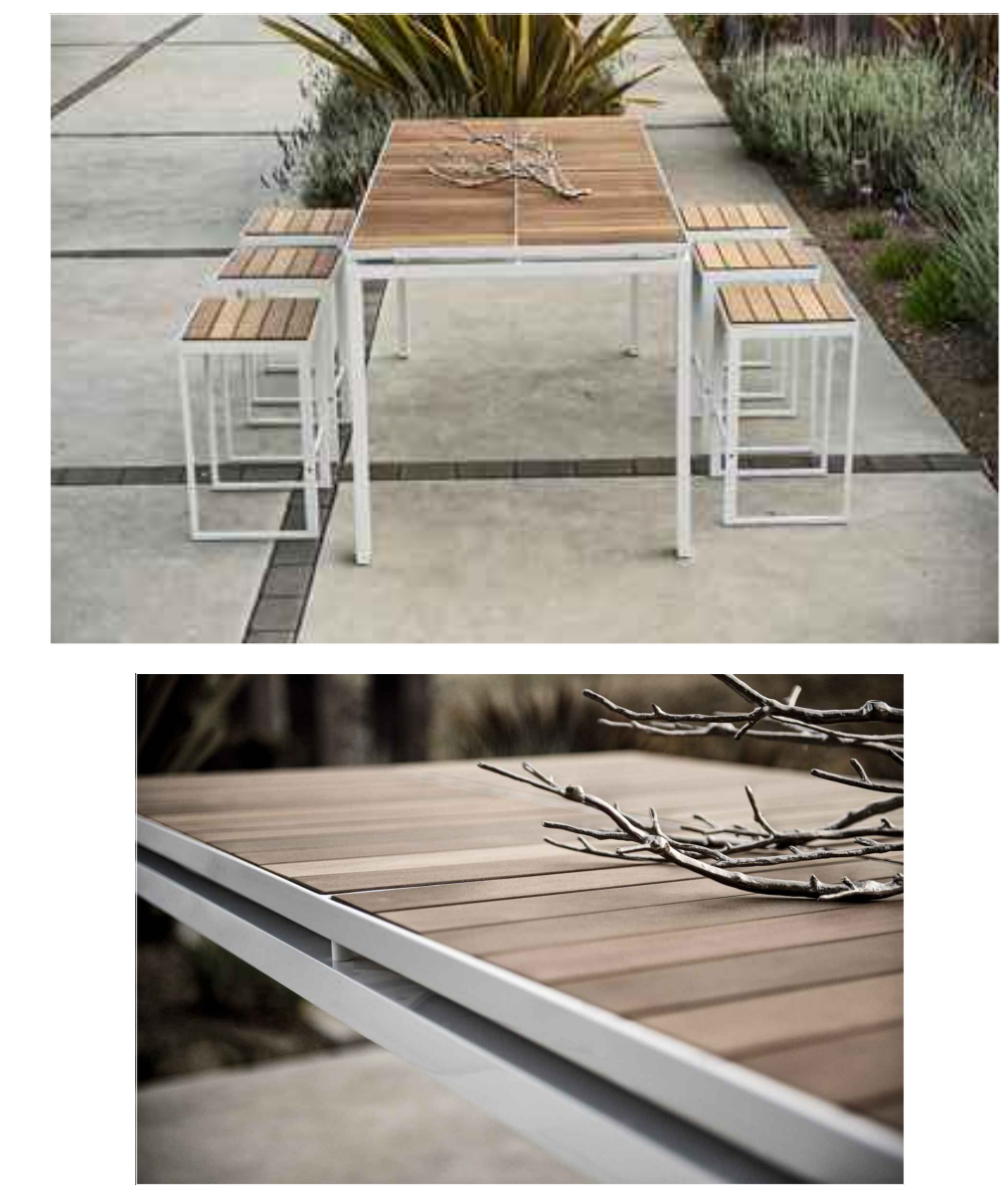


1 SCREEN WALL
C4.03 PLAN, SECTION, & ELEVATION
3/8" = 1'-0"

2 RESERVED
C4.03

3 RESERVED
C4.03



MORRISON TABLE PRODUCT INFORMATION:
MANUFACTURER: LANDSCAPE FORMS
MODEL #: 40" MORRISON BAR HEIGHT TABLE
MATERIALS/FINISH:
 FRAME: POWDERCOATED ALUMINUM, COLOR: TBD
 TABLE INSERT: IPE EXTERIOR WOOD
QUANTITY: SEE LAYOUT PLAN
DIMENSIONS:
 40" W x 80" L
MOUNTING: SURFACE MOUNTED

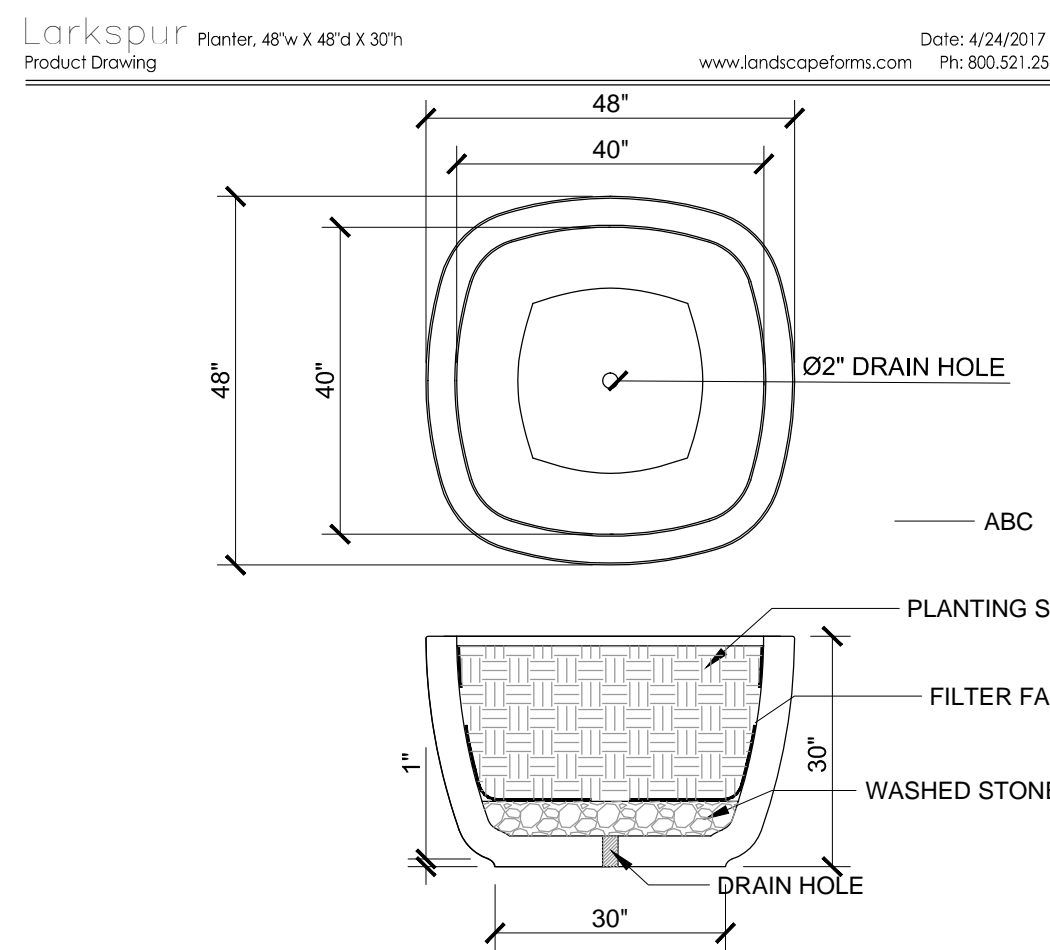
MORRISON BAR STOOL PRODUCT INFORMATION:
MANUFACTURER: LANDSCAPE FORMS
MODEL #: BACKLESS MORRISON STOOL
MATERIALS/FINISH:
 FRAME: POWDERCOATED ALUMINUM, COLOR: TBD
 STOOL INSERT: IPE EXTERIOR WOOD
QUANTITY: SEE LAYOUT PLAN
DIMENSIONS:
 STOOL HEIGHT: 28"
AVAILABLE AT:
 www.landscapeforms.com
 A. 431 LAWDALE AVENUE, KALAMAZOO, MI 49048
 P. 800.521.2546

NOTES:
 1. INSTALL PER MFG RECOMMENDATIONS & DETAILS.
 2. FINAL COLORS & FINISHES TO BE DETERMINED.

4 MORRISON TABLE & STOOLS
C4.03 IMAGE
SCALE: NOT TO SCALE

5 RESERVED
C4.03

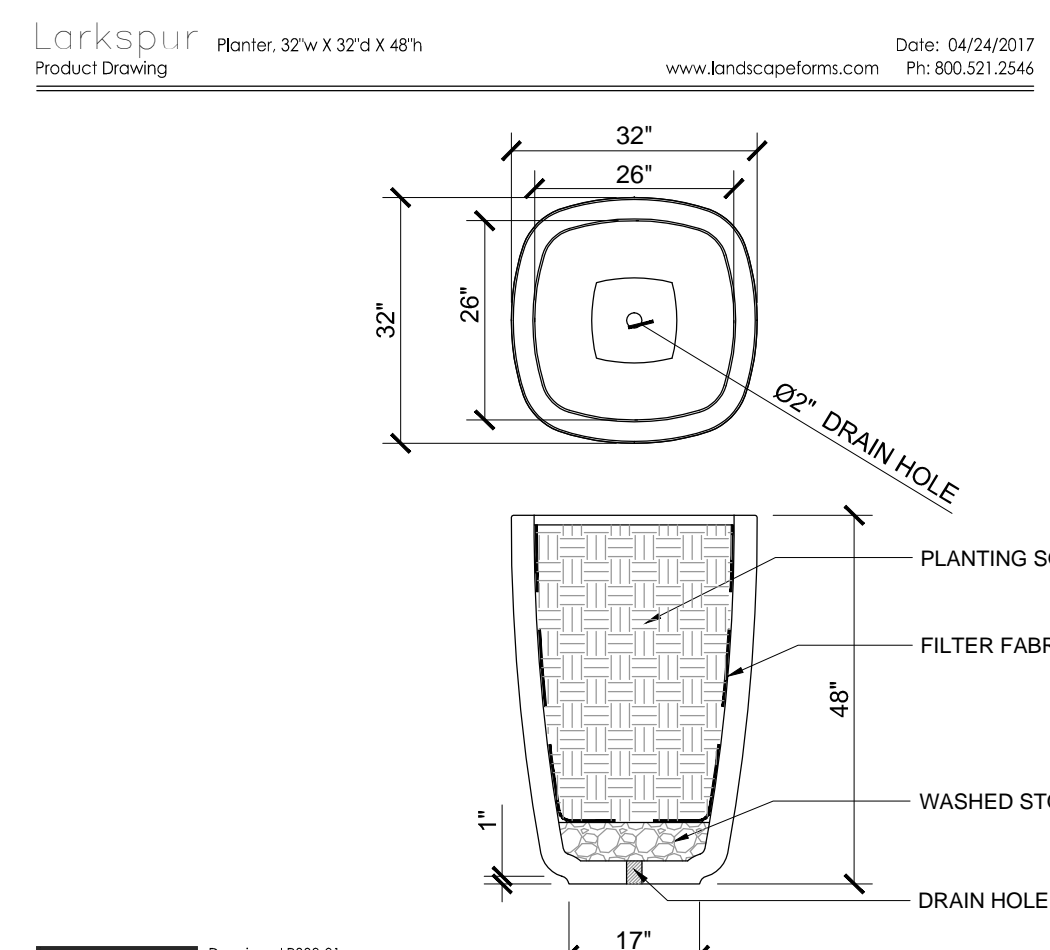
6 RESERVED
C4.03



Specifications:
MODEL: LARKSPUR 30" PLANTER
MANUFACTURER: LANDSCAPE FORMS
QUANTITY: REFER TO PAVING/LAYOUT PLANS
COLOR/FINISH: TO BE DETERMINED
MATERIAL: COLORED CONCRETE, FINAL COLOR TO BE DETERMINED
DIMENSIONS: 48" x 48" x 30"
MOUNTING: FREE STANDING
SOIL CAPACITY: 17 CUBIC FEET OF PLANTING MATERIAL

NOTES:
 1. STANDARD 2" DRAIN HOLE IN BASE OF PLANTER TO INSURE PROPER DRAINAGE.
 2. ALL 30" LARKSPUR PLANTERS WILL NOT BE IRRIGATED.
 3. REFER TO PLANTING AND LAYOUT PLANS FOR ADDITIONAL INFORMATION.

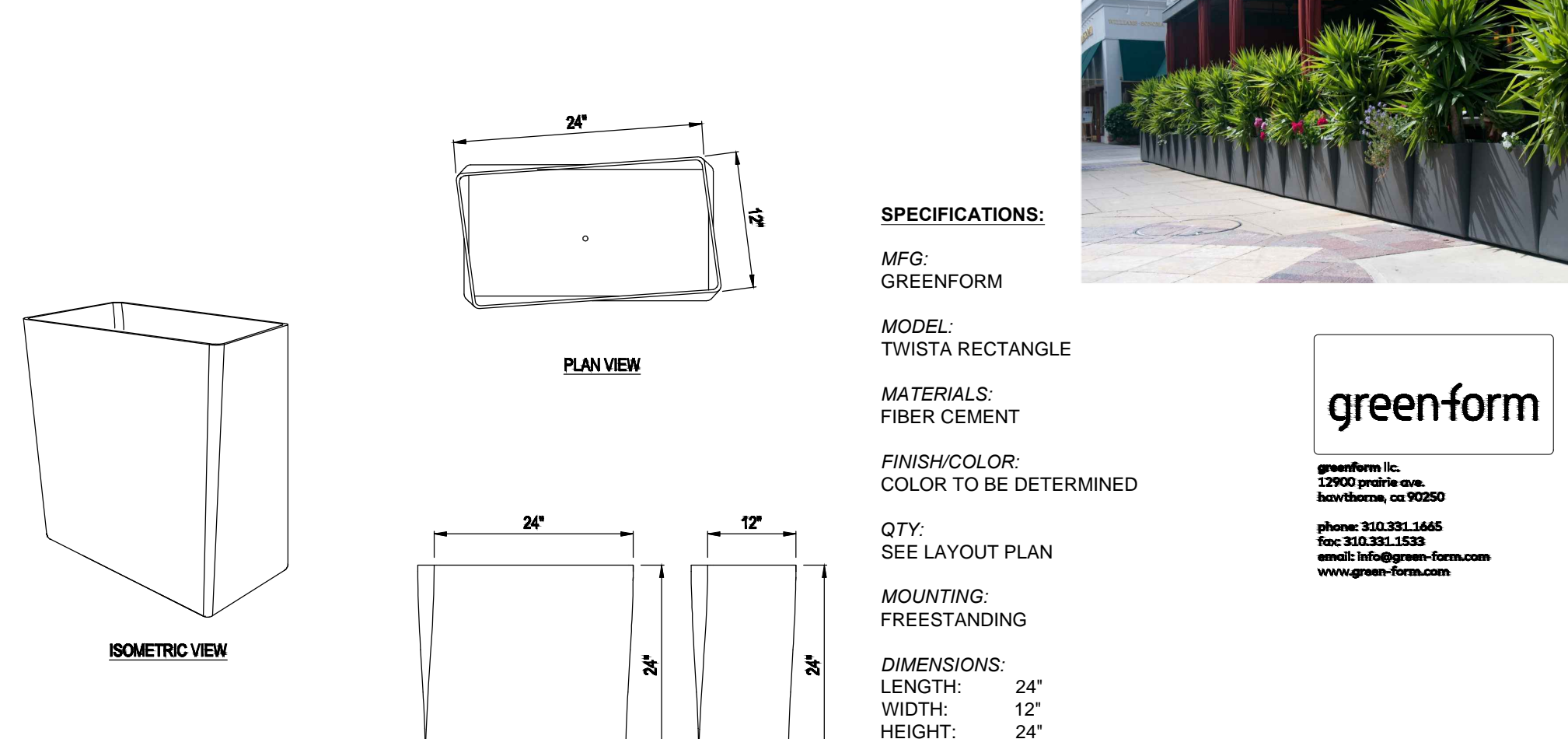
7 LARKSPUR 30" PLANTER
C4.03 PLAN & SECTION
SCALE: NOT TO SCALE



Specifications:
MODEL: LARKSPUR 48" PLANTER
MANUFACTURER: LANDSCAPE FORMS
QUANTITY: REFER TO PAVING/LAYOUT PLANS
COLOR/FINISH: TO BE DETERMINED
MATERIAL: COLORED CONCRETE, FINAL COLOR TO BE DETERMINED
DIMENSIONS: 48" x 32" x 48"
MOUNTING: FREE STANDING
SOIL CAPACITY: 10 CUBIC FEET OF PLANTING MATERIAL

NOTES:
 1. STANDARD 2" DRAIN HOLE IN BASE OF PLANTER TO INSURE PROPER DRAINAGE.
 2. ALL 48" LARKSPUR PLANTERS WILL NOT BE IRRIGATED.
 3. REFER TO PLANTING AND LAYOUT PLANS FOR ADDITIONAL INFORMATION.

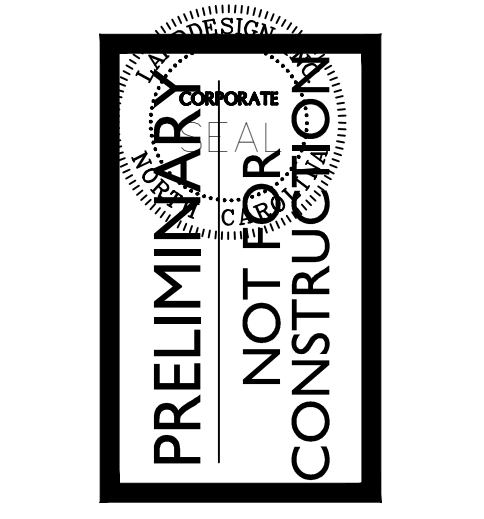
8 LARKSPUR 48" PLANTER
C4.03 PLAN & SECTION
SCALE: NOT TO SCALE



Specifications:
MODEL: TWISTA RECTANGLE
MATERIAL: FIBER CEMENT
FINISH/COLOR: COLOR TO BE DETERMINED
QTY: SEE LAYOUT PLAN
MOUNTING: FREESTANDING
DIMENSIONS: LENGTH: 24", WIDTH: 12", HEIGHT: 12", WEIGHT: 42 LBS (22 GAL.)

NOTES:
 1. INSTALL PER MFG. RECOMMENDATIONS/DETAILS.
 2. REFER TO LAYOUT/PAVING PLAN FOR ADDITIONAL INFORMATION.
 3. SEE <http://www.green-form.com/> FOR ADDITIONAL INFORMATION.

9 RECTANGULAR PLANTER POT
C4.03 MFG DETAIL & IMAGE
SCALE: NOT TO SCALE



ISSUE:	DESIGN DEVELOPMENT
DATE:	4/26/17
ISSUE:	(2)
DATE:	(DATE 2)
ISSUE:	(3)
DATE:	(DATE 3)
ISSUE:	(4)
DATE:	(DATE 4)
ISSUE:	(5)
DATE:	(DATE 5)
ISSUE:	(6)
DATE:	(DATE 6)

SHEET INFORMATION

DATE OF DRAWING:	4/26/17
DRAWN BY:	
JOB NUMBER:	119201