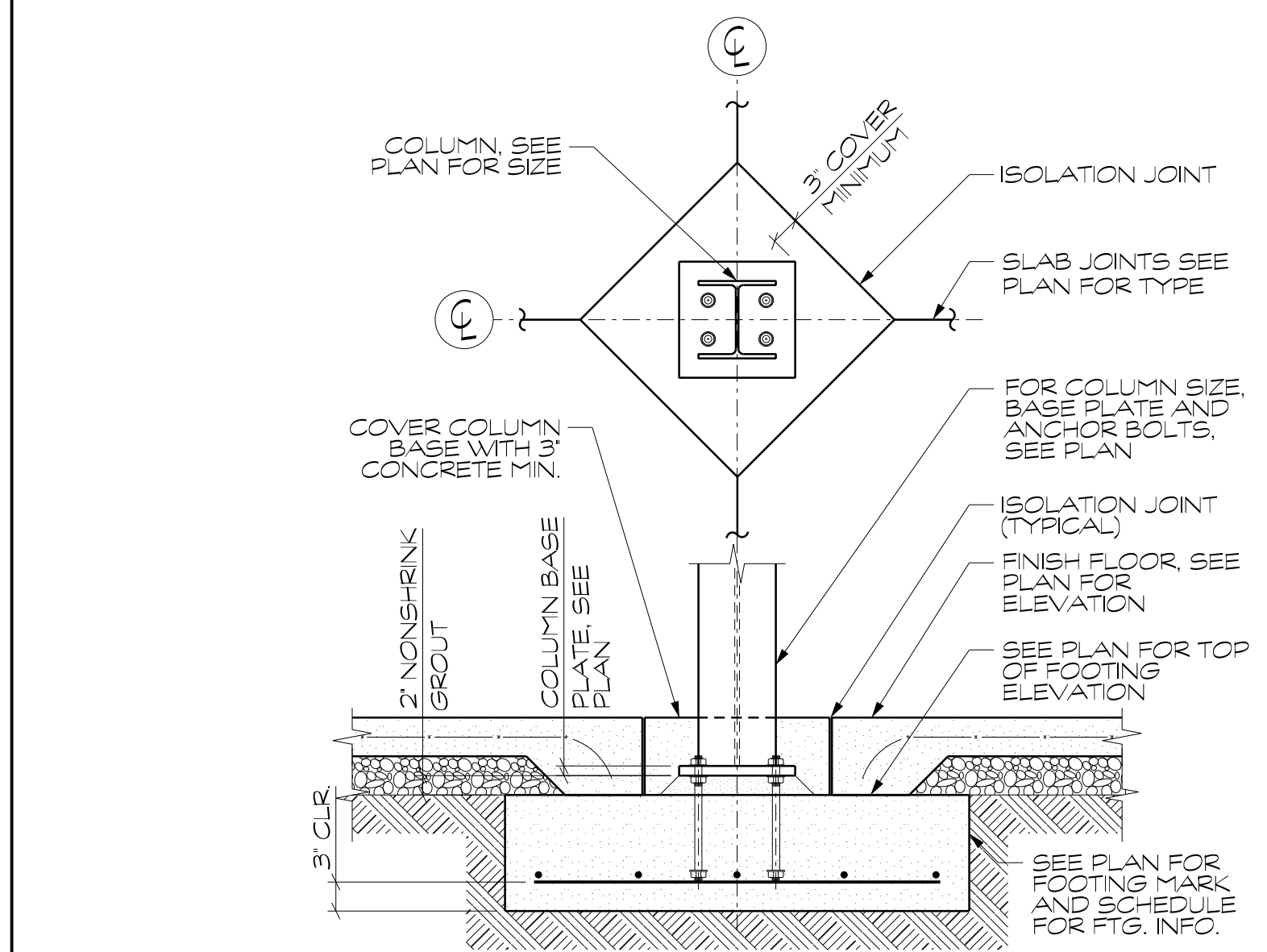
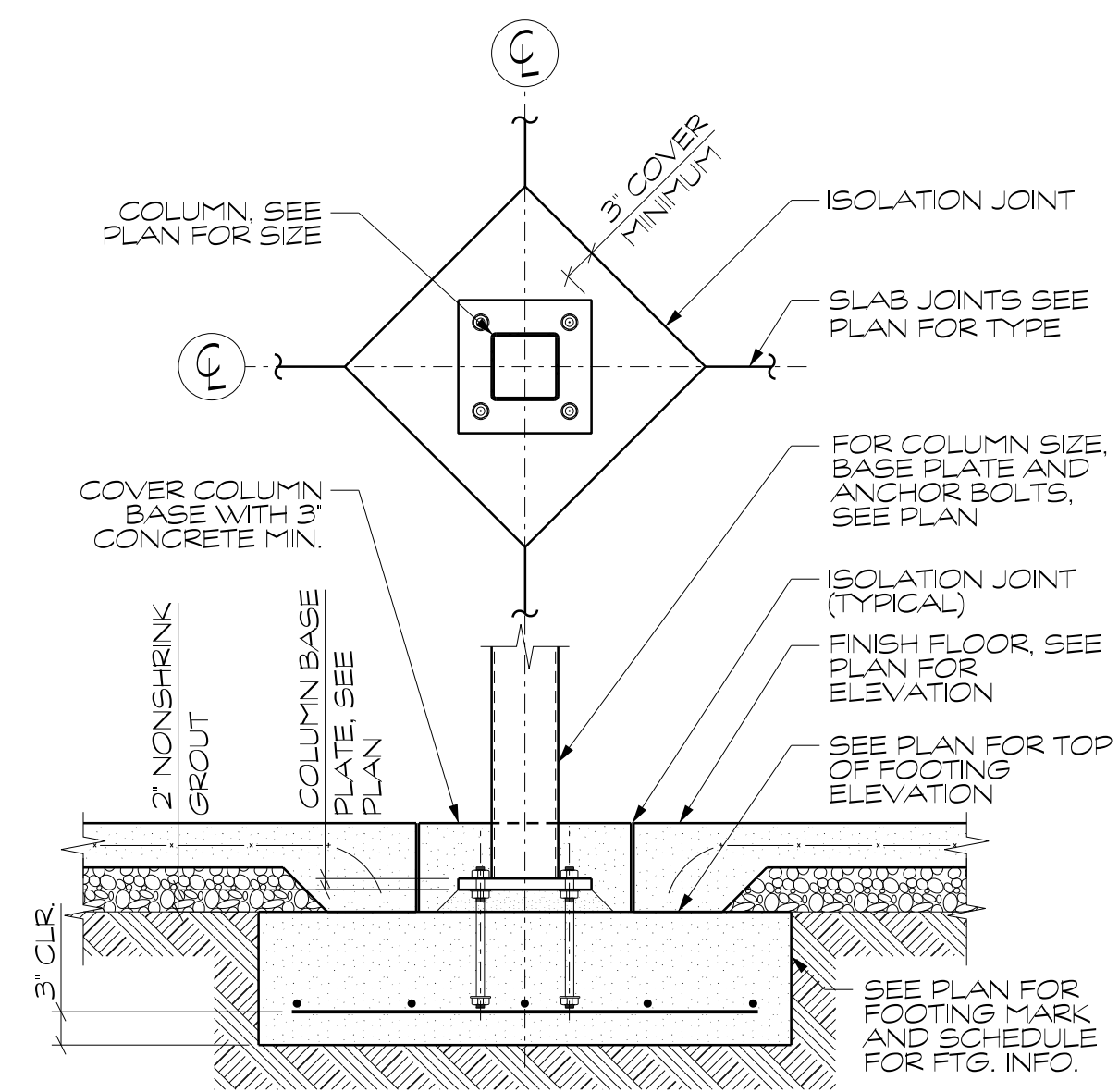
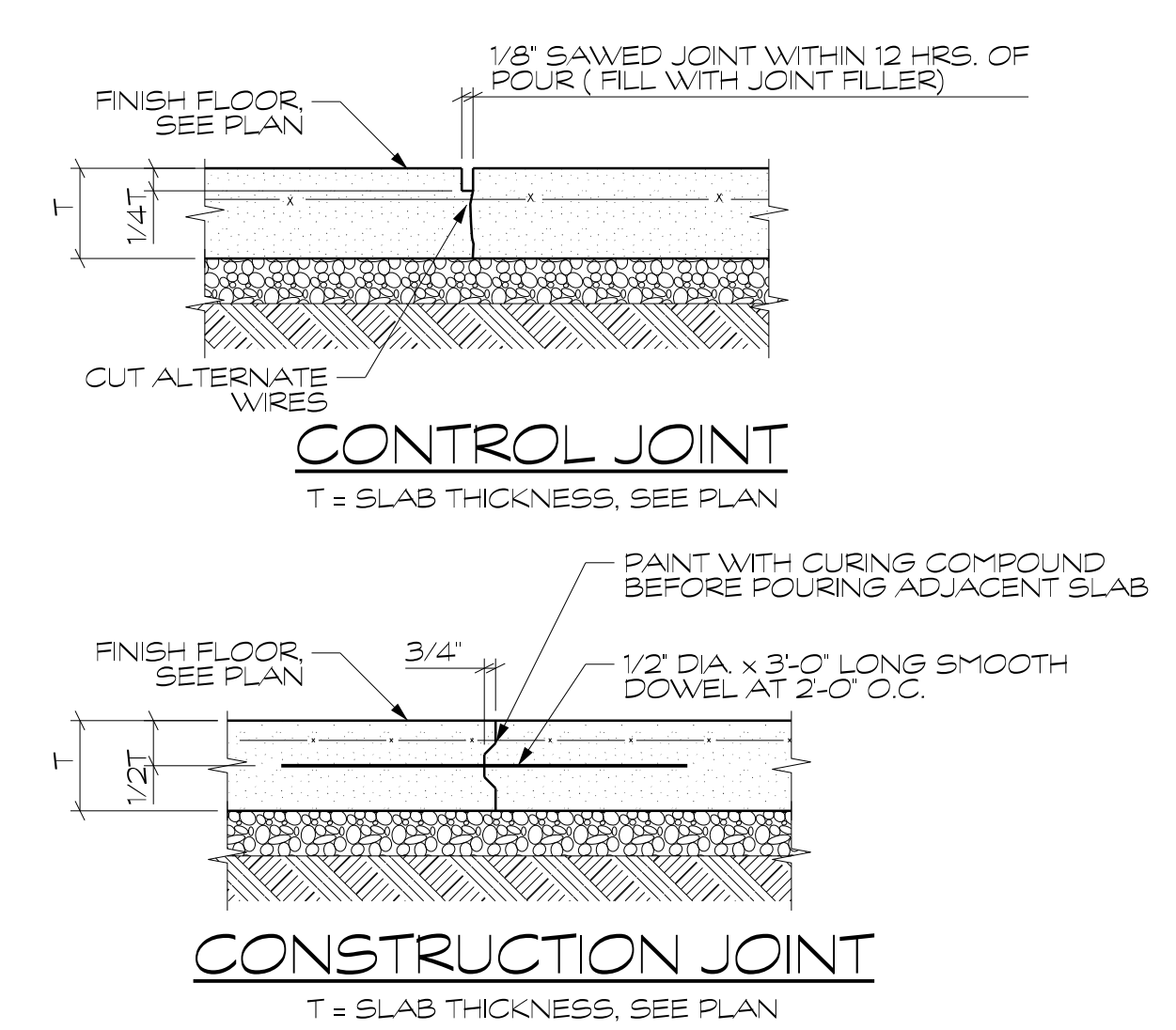


THIS DRAWING AND THE DESIGN SHOWN IS THE PROPERTY OF THE ARCHITECT AND MAY NOT BE REPRODUCED, COPIED OR USED WITHOUT WRITTEN PERMISSION. COPYRIGHT © 2014, INTEC GROUP, INC.



SPREAD FOOTING SCHEDULE
BEARING CAPACITY 2000 PSF

MARK	SIZE	THICKNESS	BOTTOM BARS	TOP BARS	REMARKS
(34) 2F-5.0	5'-0" SQ.	1'-0"	6#5 E.W.	-	-
(3) 2F-6.0	6'-0" SQ.	1'-0"	6#5 E.W.	-	-
(12) 2F-8.0	8'-0" SQ.	1'-4"	10#5 E.W.	-	-

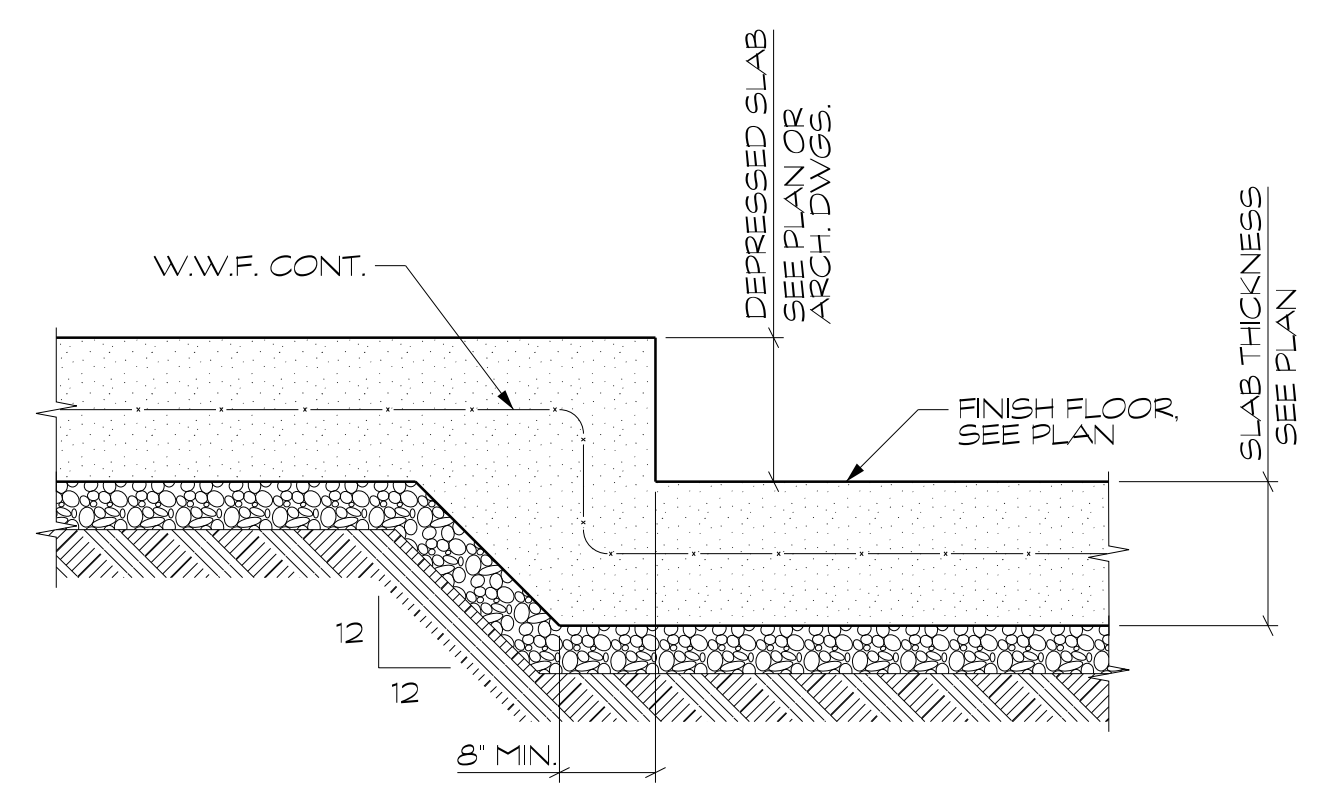
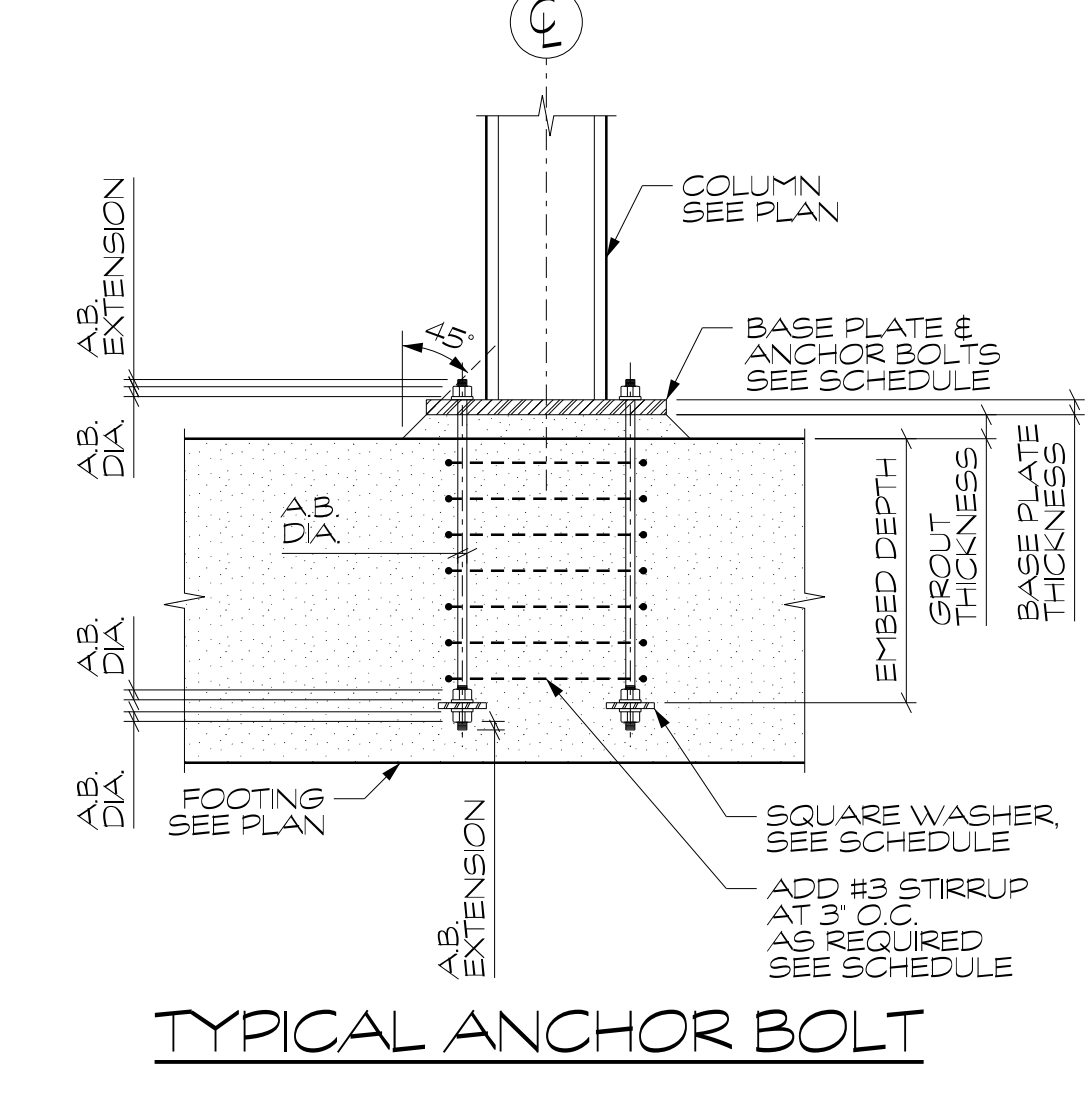
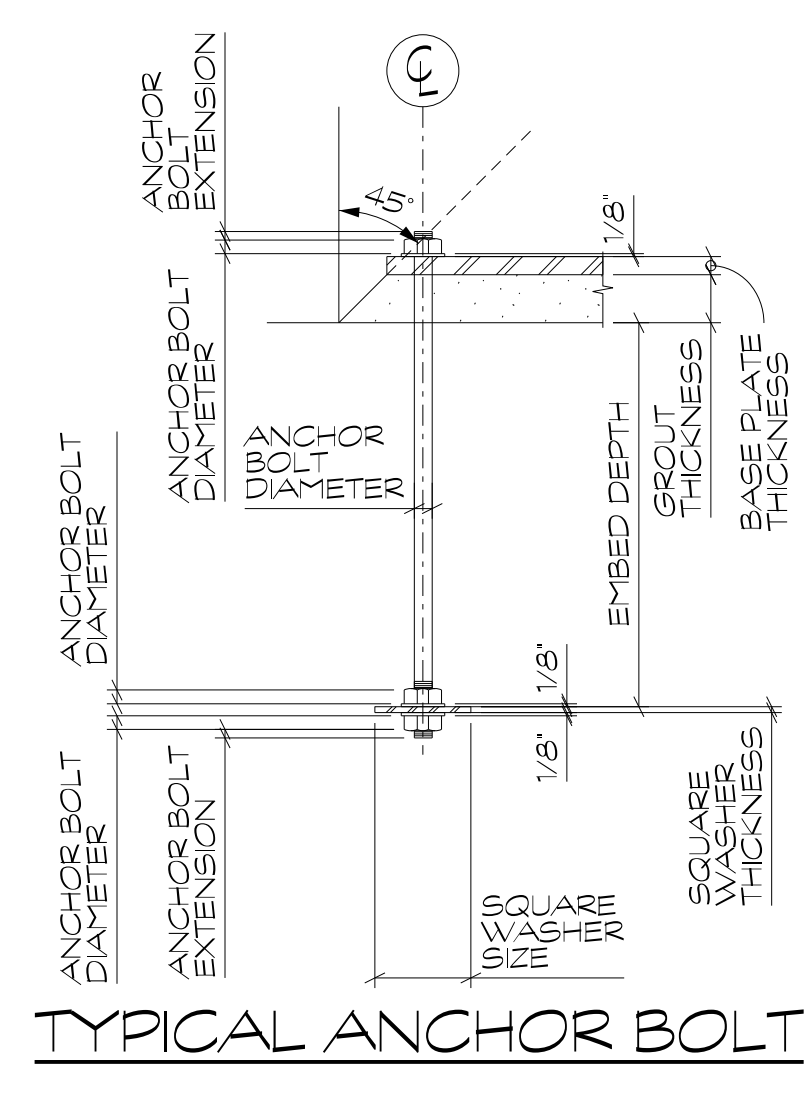
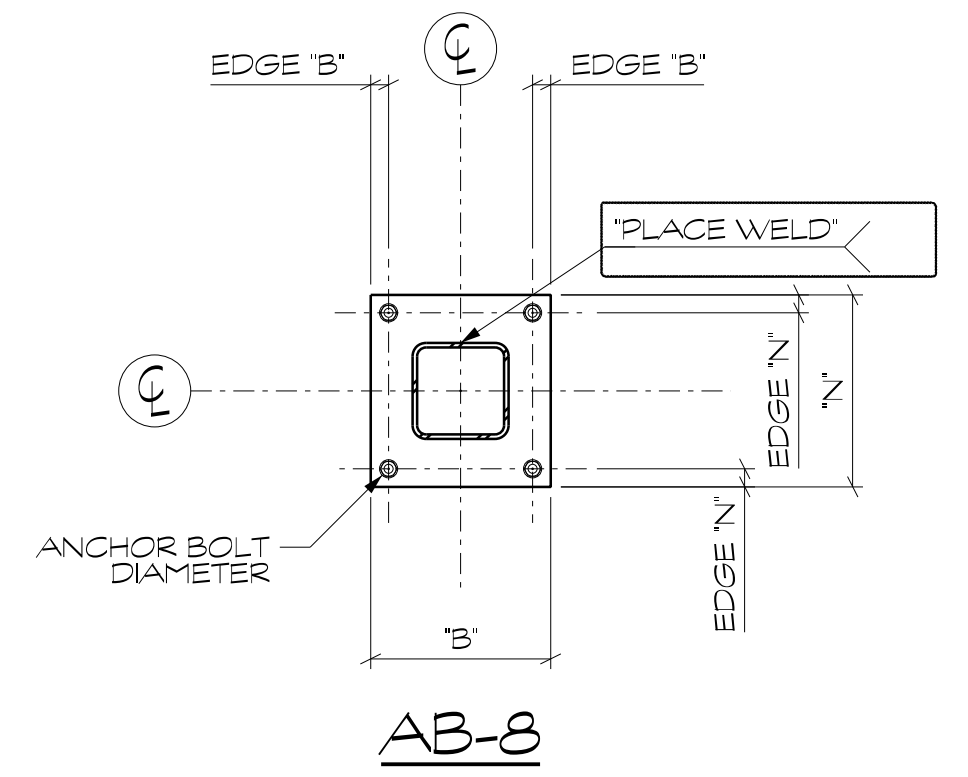
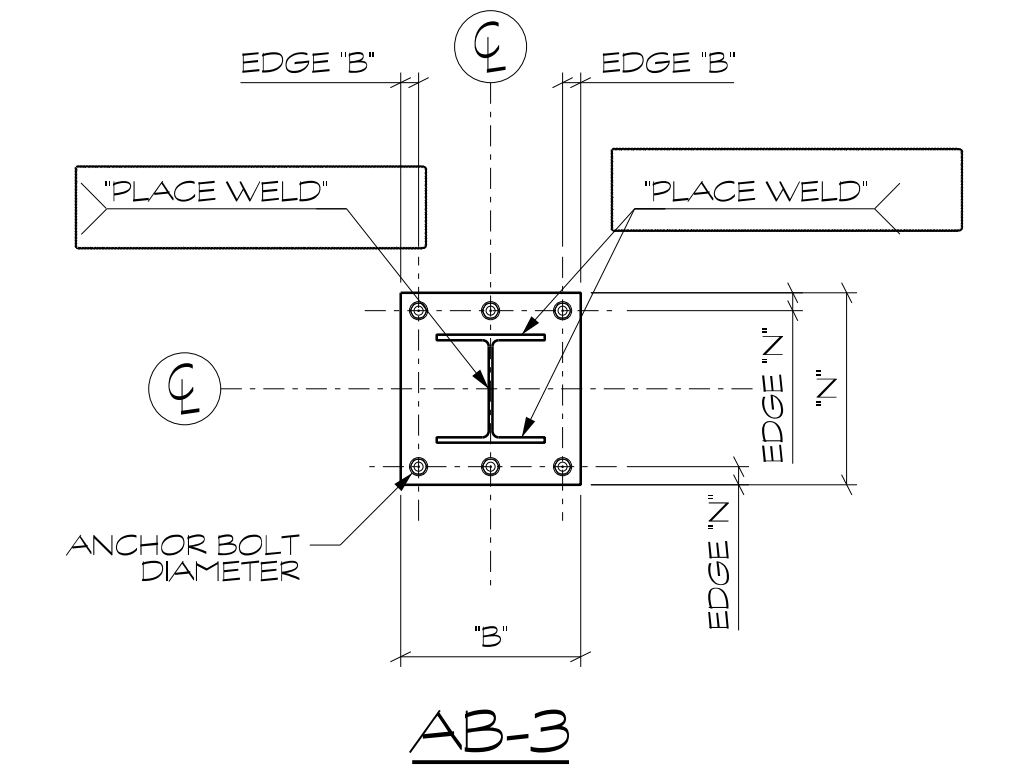


1 TYPICAL TUBE COLUMN FOOTING
NO SCALE

2 TYPICAL WF COLUMN FOOTING
NO SCALE

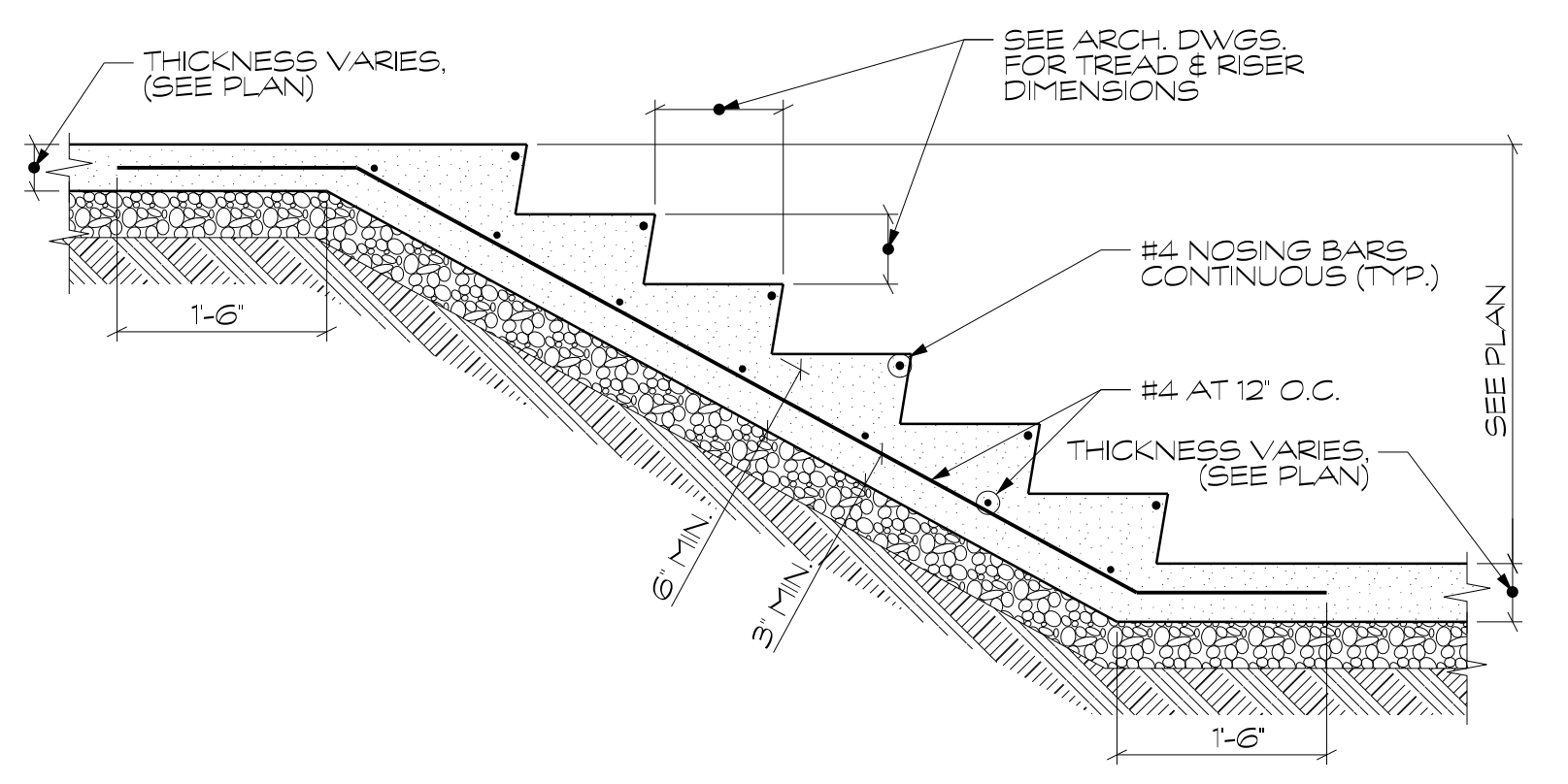
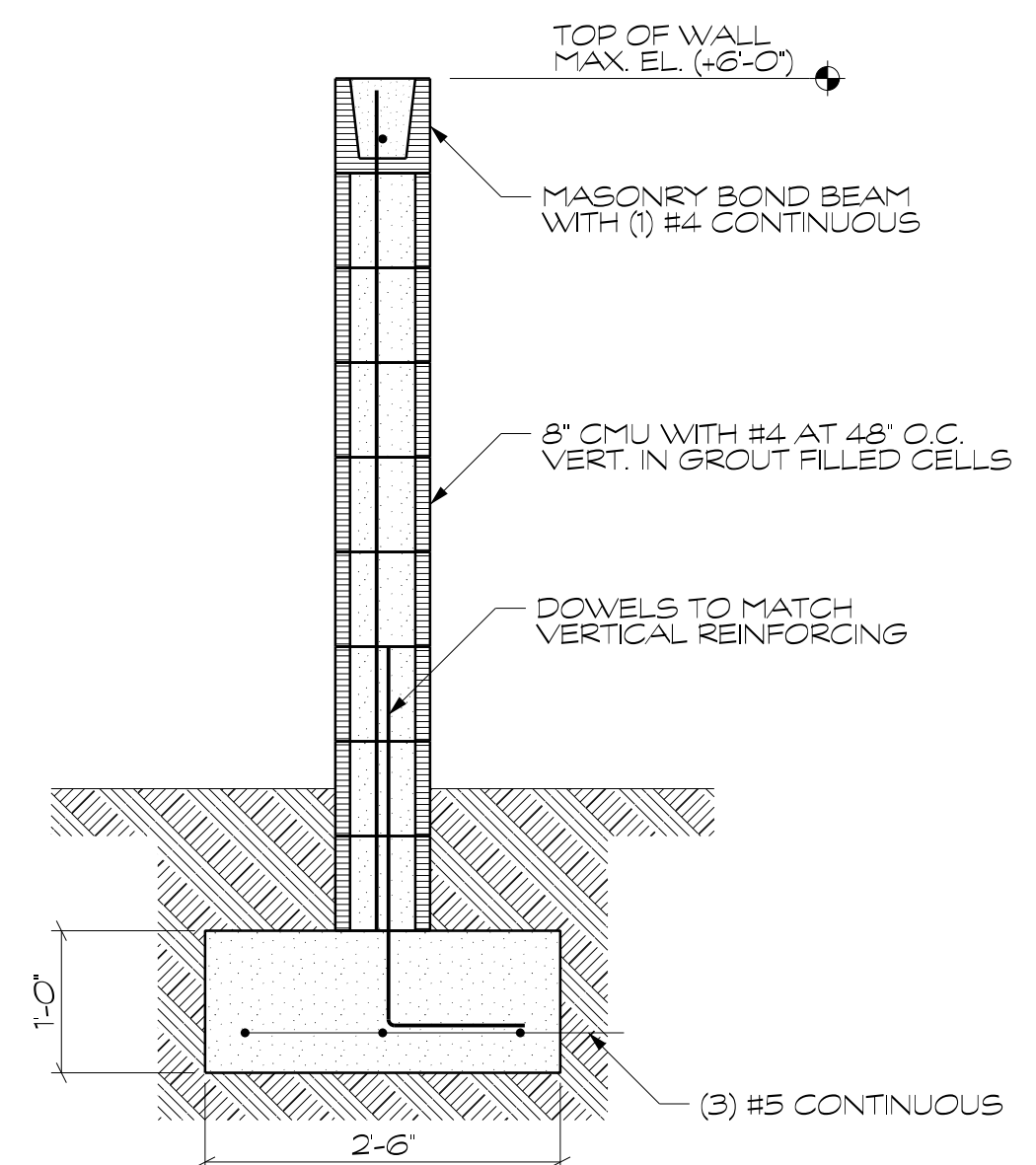
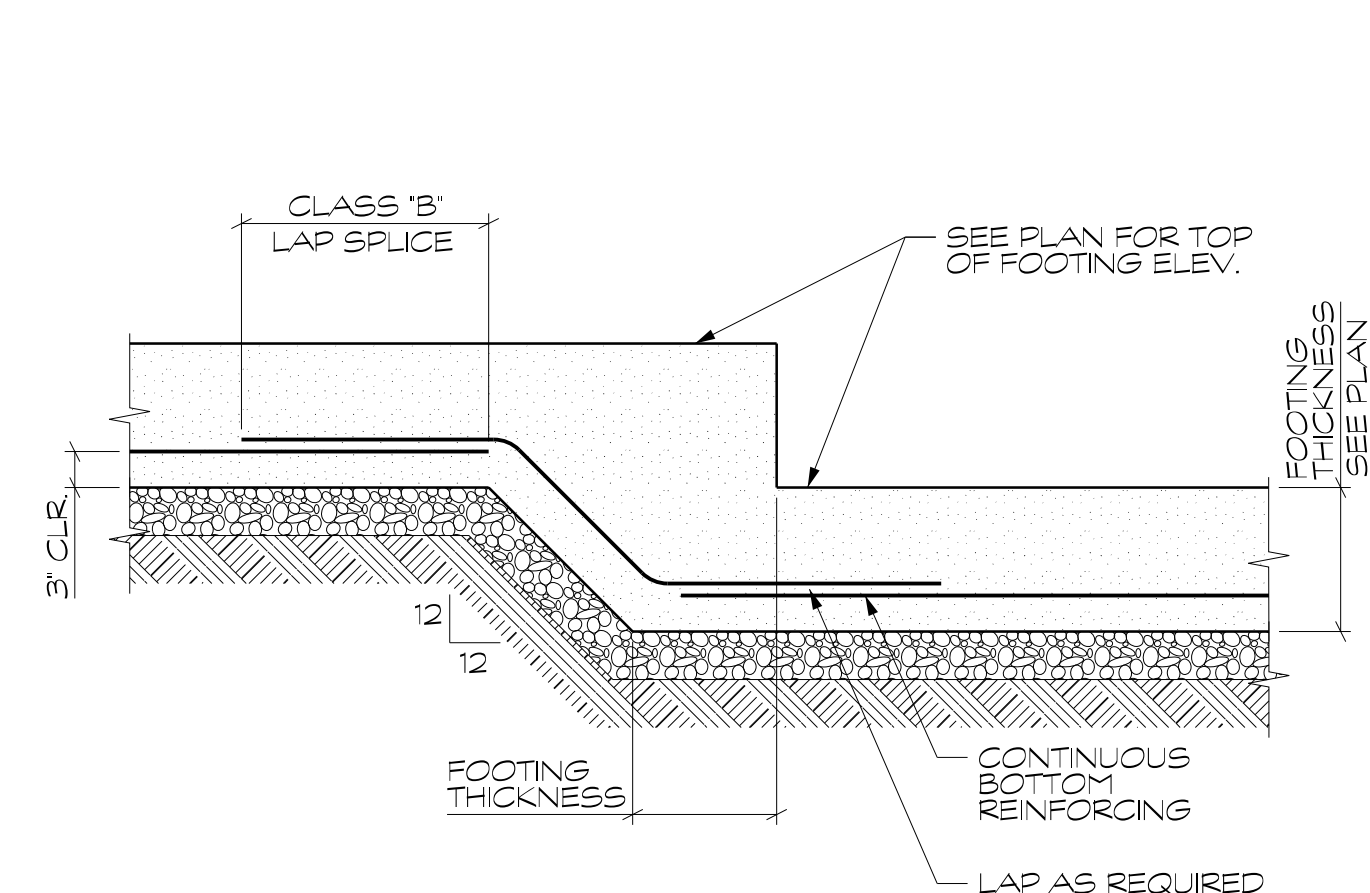
3 COLUMN FOOTING SCHEDULE
NO SCALE

4 TYPICAL C/J DETAILS
NO SCALE



5 TYPICAL BASE PLATE SCHEDULE, BASE PLATE AND ANCHOR BOLT DETAILS
NO SCALE

6 TYPICAL DEPRESSED SLAB ON GRADE
NO SCALE



LOOSE LINTEL SCHEDULE

ROUGH OPENING	ANGLE SIZE
< 6'-0"	L 4" x 4" x 5/16"
< 8'-0"	L 6" x 4" x 3/8" (LLV)
< 10'-0"	L 7" x 4" x 3/8" (LLV)

NOTE: BEAR 8" EACH END OF OPENING.
ALL EXTERIOR LINTELS TO BE GALVANIZED.

7 TYPICAL FOOTING STEP
NO SCALE

8 TYPICAL SITE/SCREEN WALL
NO SCALE

9 TYPICAL CONCRETE STAIR ON GRADE
NO SCALE

10 LOOSE LINTEL SCHEDULE
NO SCALE