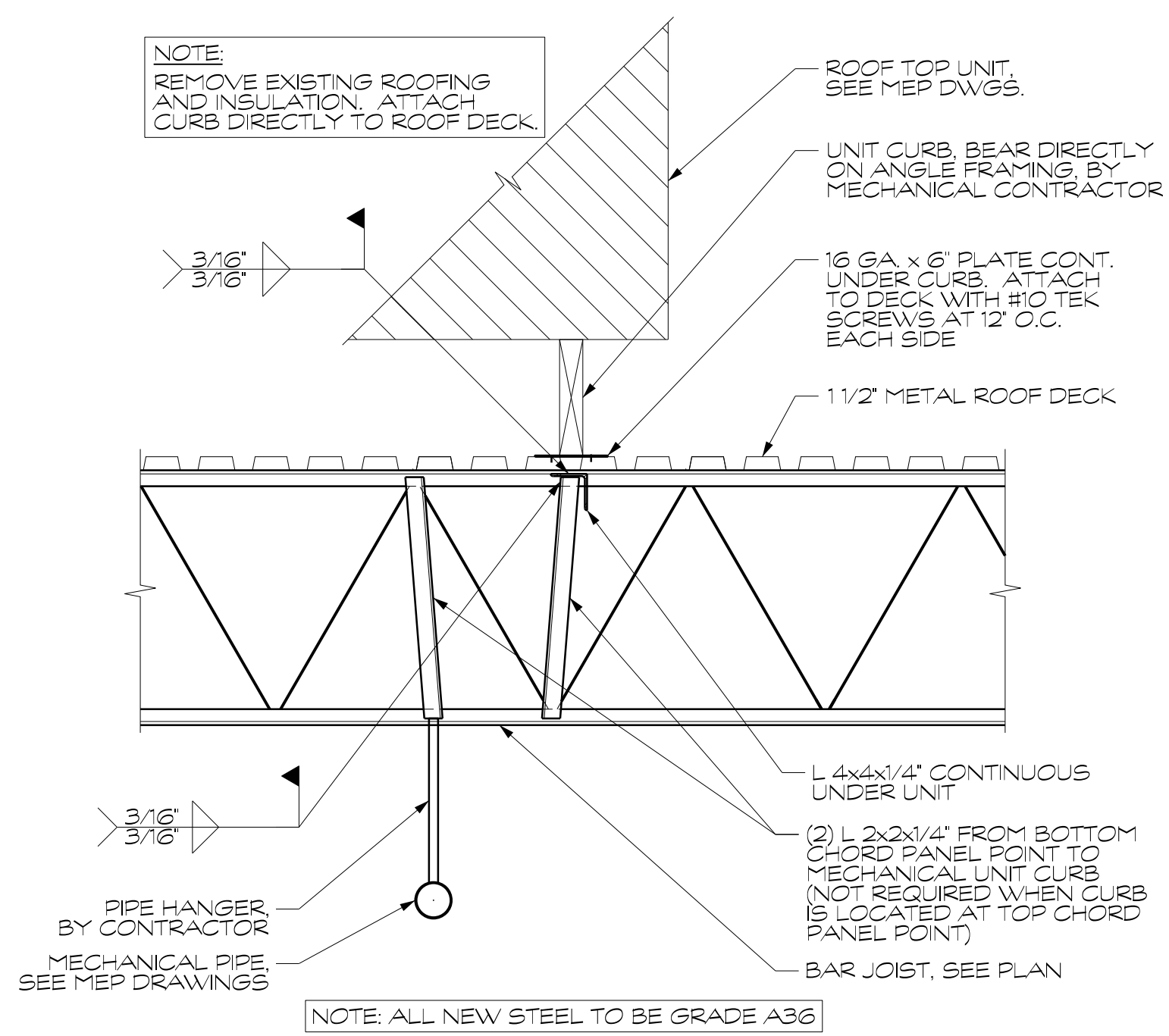
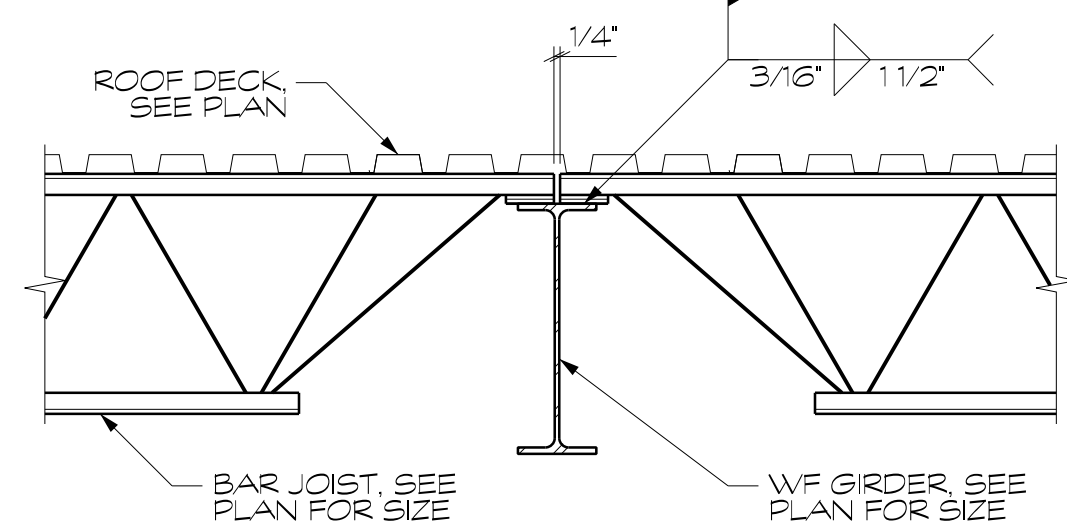


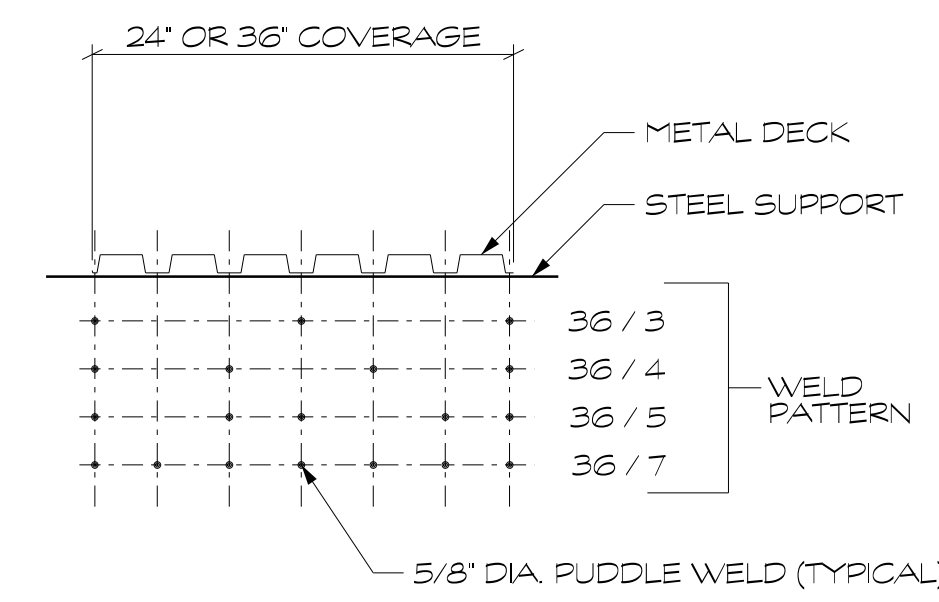
THIS DRAWING AND THE DESIGN SHOWN IS THE PROPERTY OF THE ARCHITECT AND MAY NOT BE REPRODUCED, COPIED OR USED WITHOUT WRITTEN PERMISSION. COPYRIGHT © 2014, INTEC GROUP, INC.



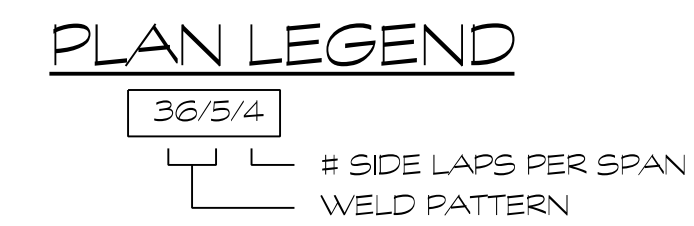
1 MECHANICAL EQUIPMENT ON JOIST  
S500 NO SCALE



2 JOIST BEARING AT GIRDER  
S500 NO SCALE



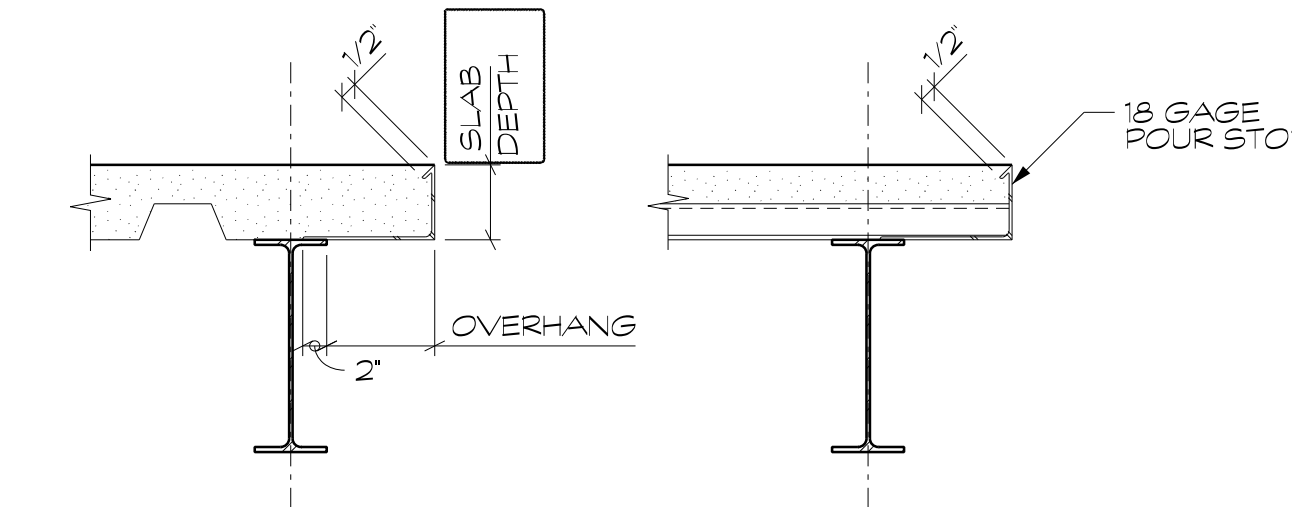
TYPICAL ATTACHMENT IS 5/8\"/>



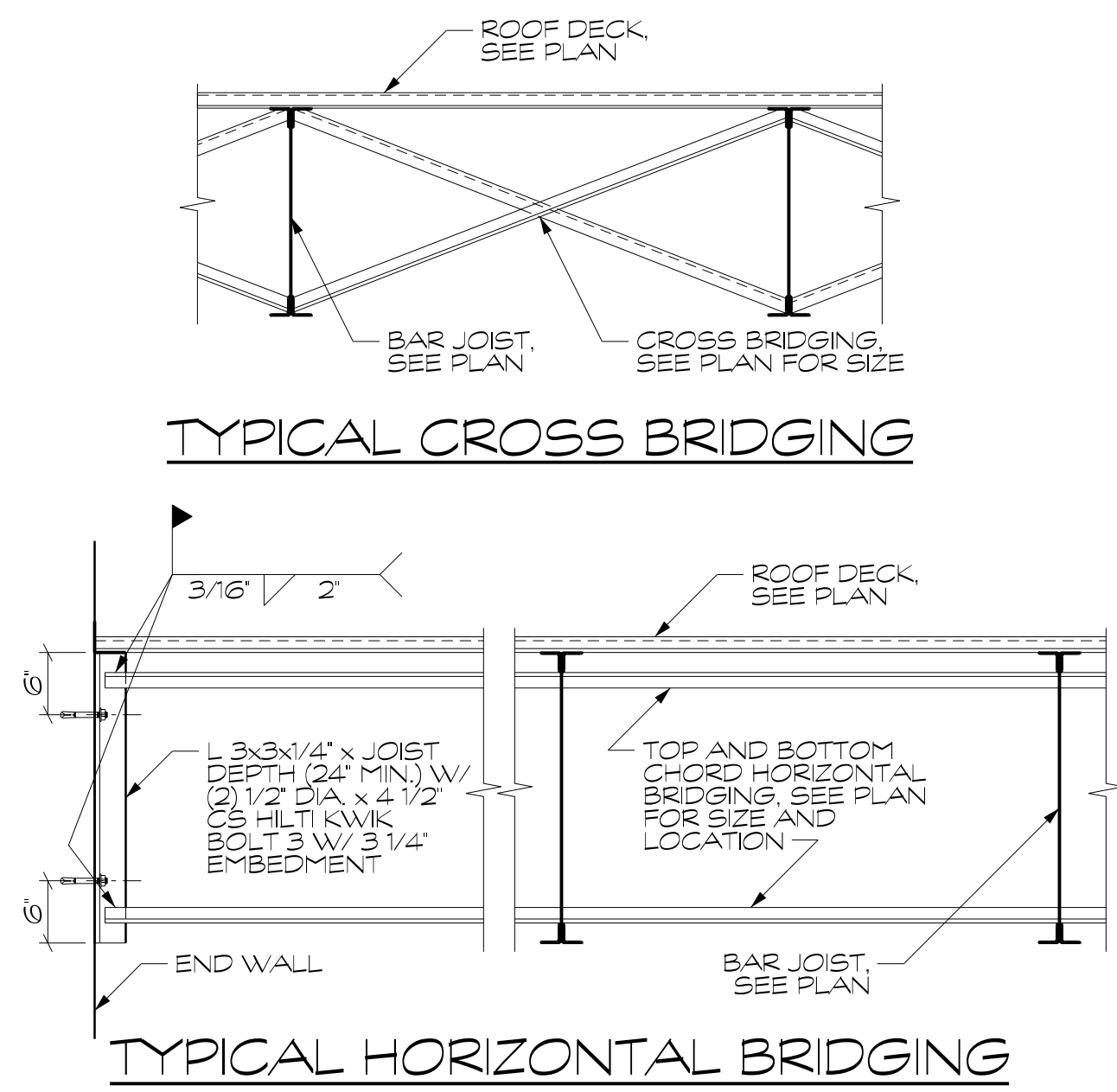
3 TYPICAL DECK FASTENER DETAIL  
S500 NO SCALE

**POUR STOP GAGE:**  
UNLESS SHOWN OTHERWISE

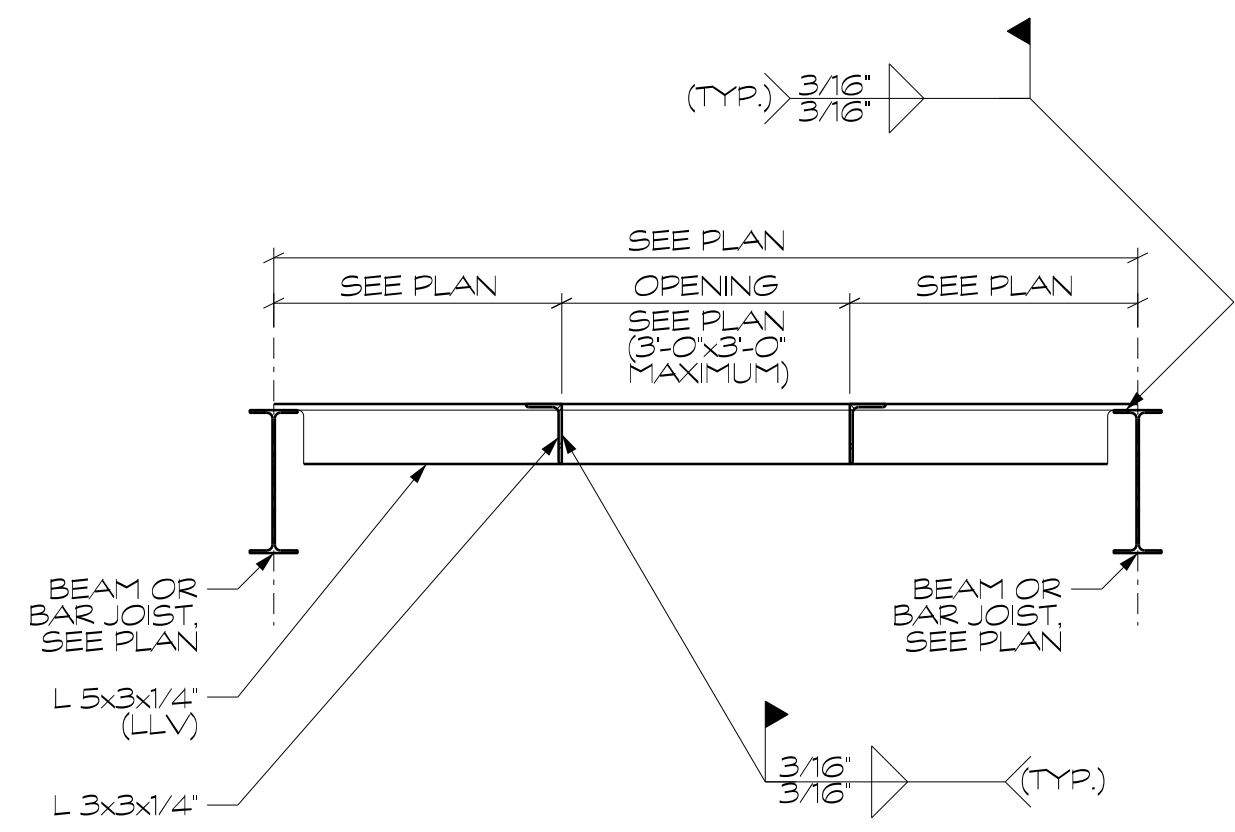
OVER-HANG	GAGE
0' TO 2'	18 GAGE
2' TO 4'	16 GAGE
4' TO 6'	14 GAGE
6' TO 9'	12 GAGE
9' TO 11'	10 GAGE



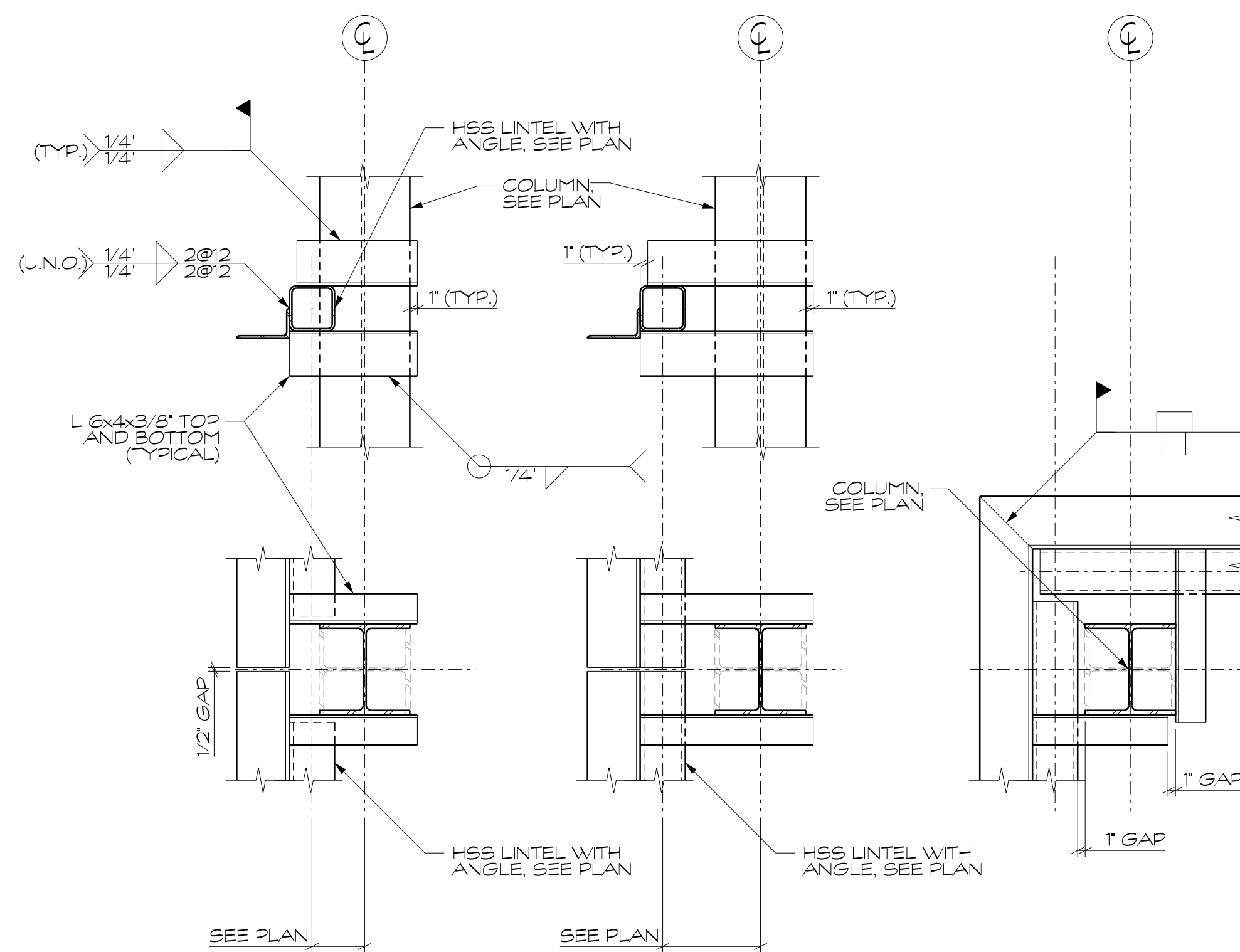
4 TYPICAL POUR STOP  
S500 NO SCALE



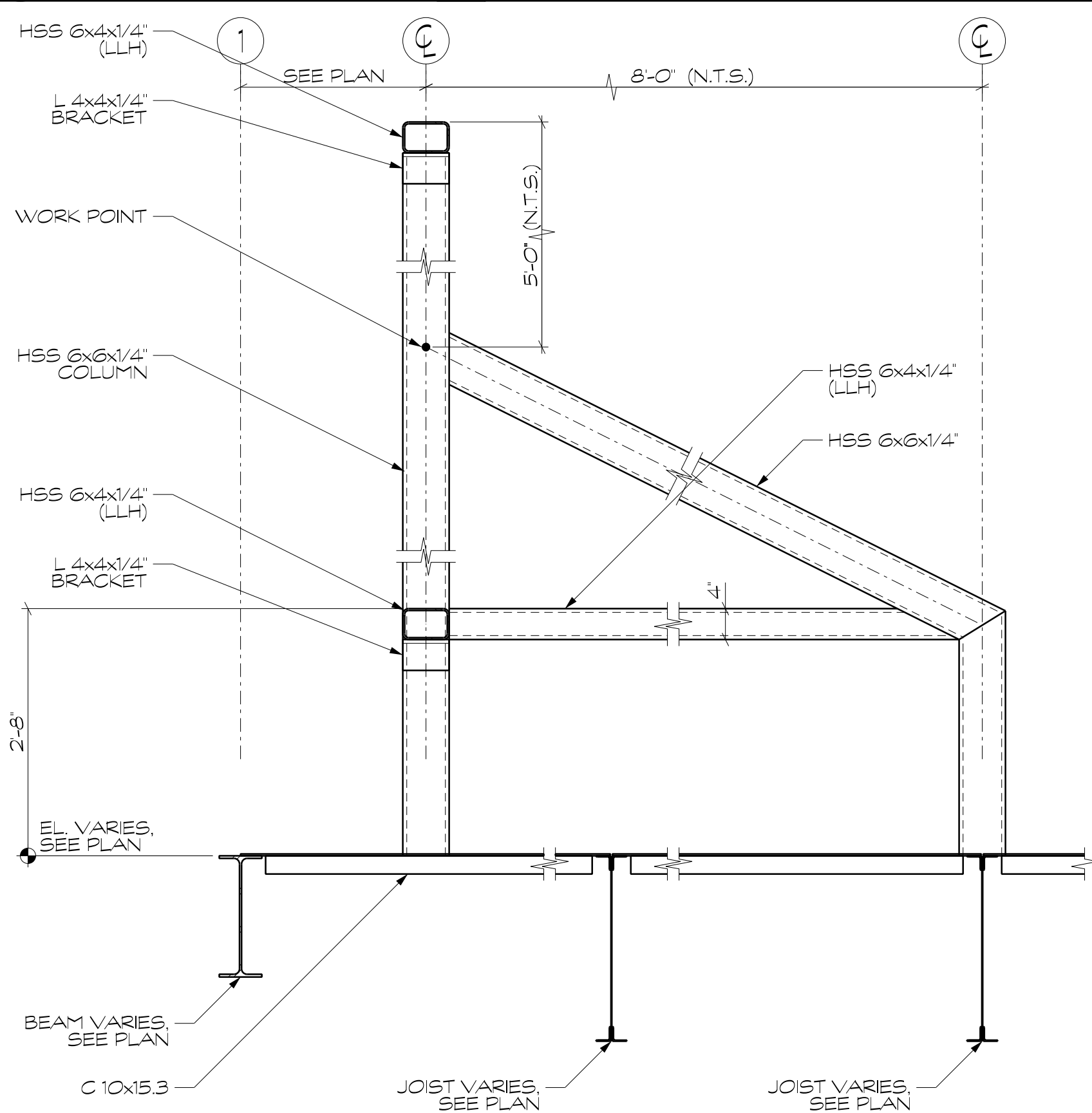
5 TYPICAL JOIST BRIDGING  
S500 NO SCALE



6 TYPICAL ROOF OPENING DETAIL  
S500 NO SCALE



7 TYPICAL HSS LINTEL CONNECTION AT COLUMN  
S500 NO SCALE



8 SECTION  
S500 3/4\"/>