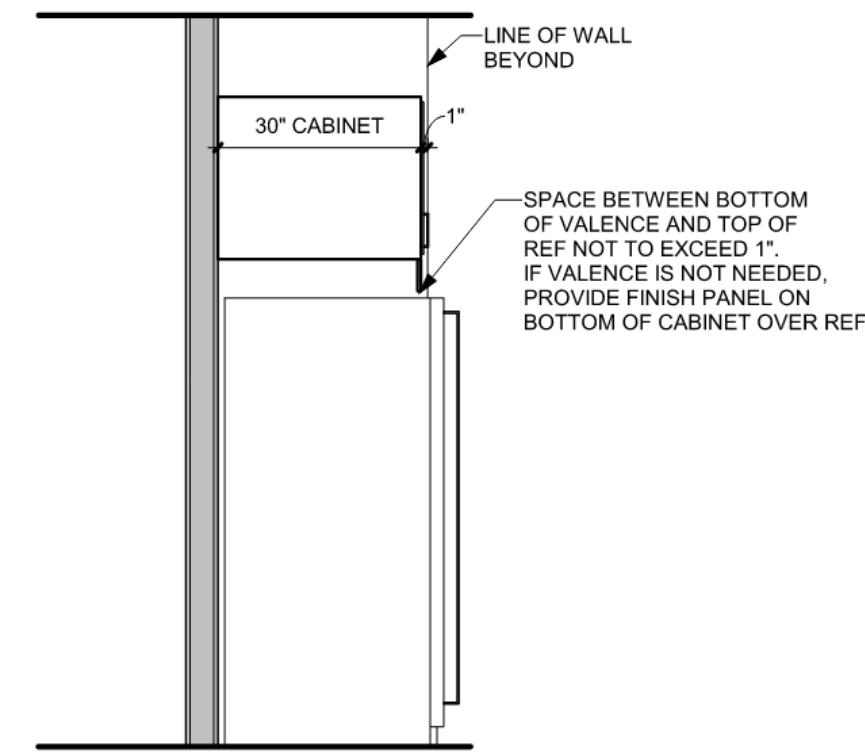
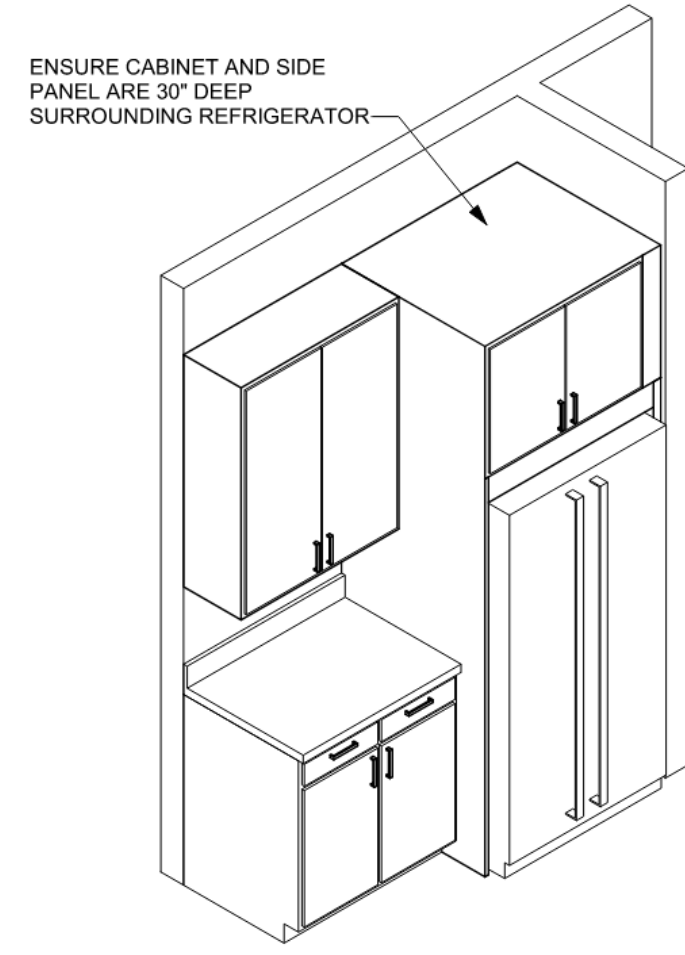


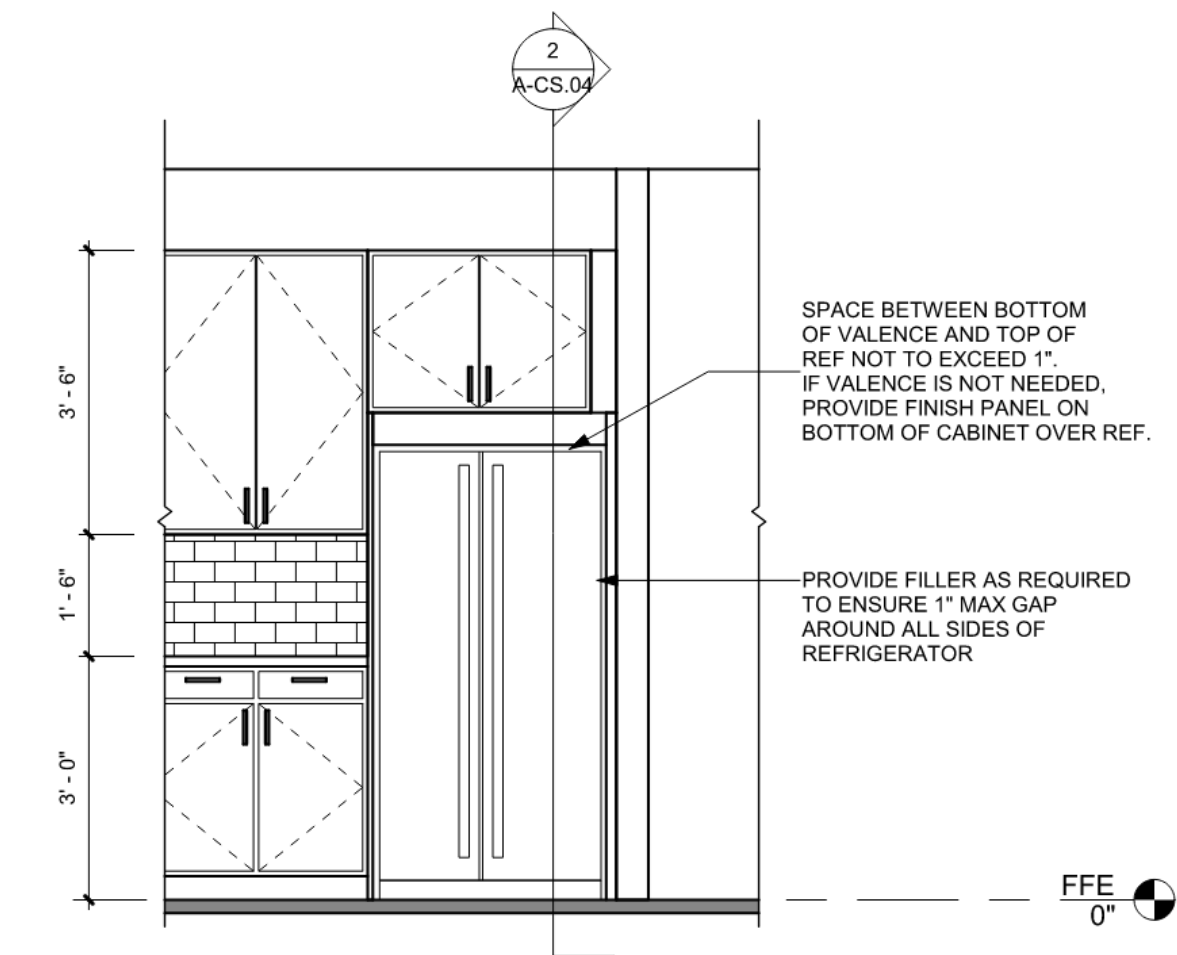
2 SECTION - NON-RECESSED FRIDGE
1/2" = 1'-0"



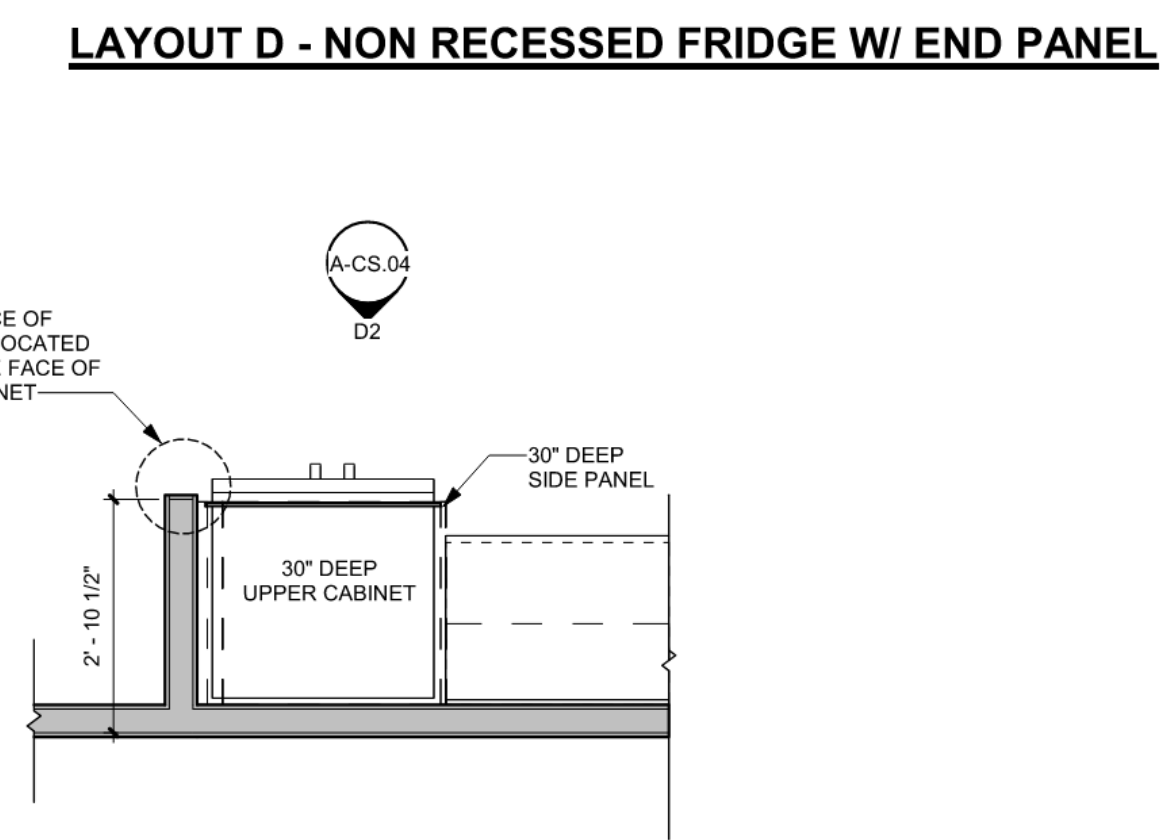
D3 3D AXON - LAYOUT D



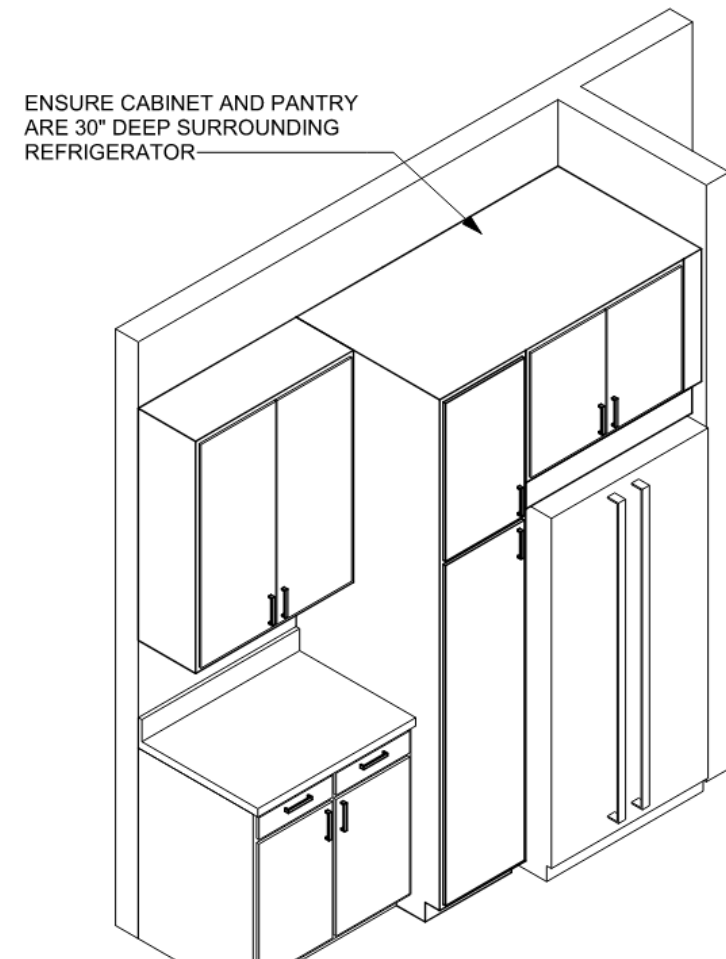
D2 ELEVATION - LAYOUT D
1/2" = 1'-0"



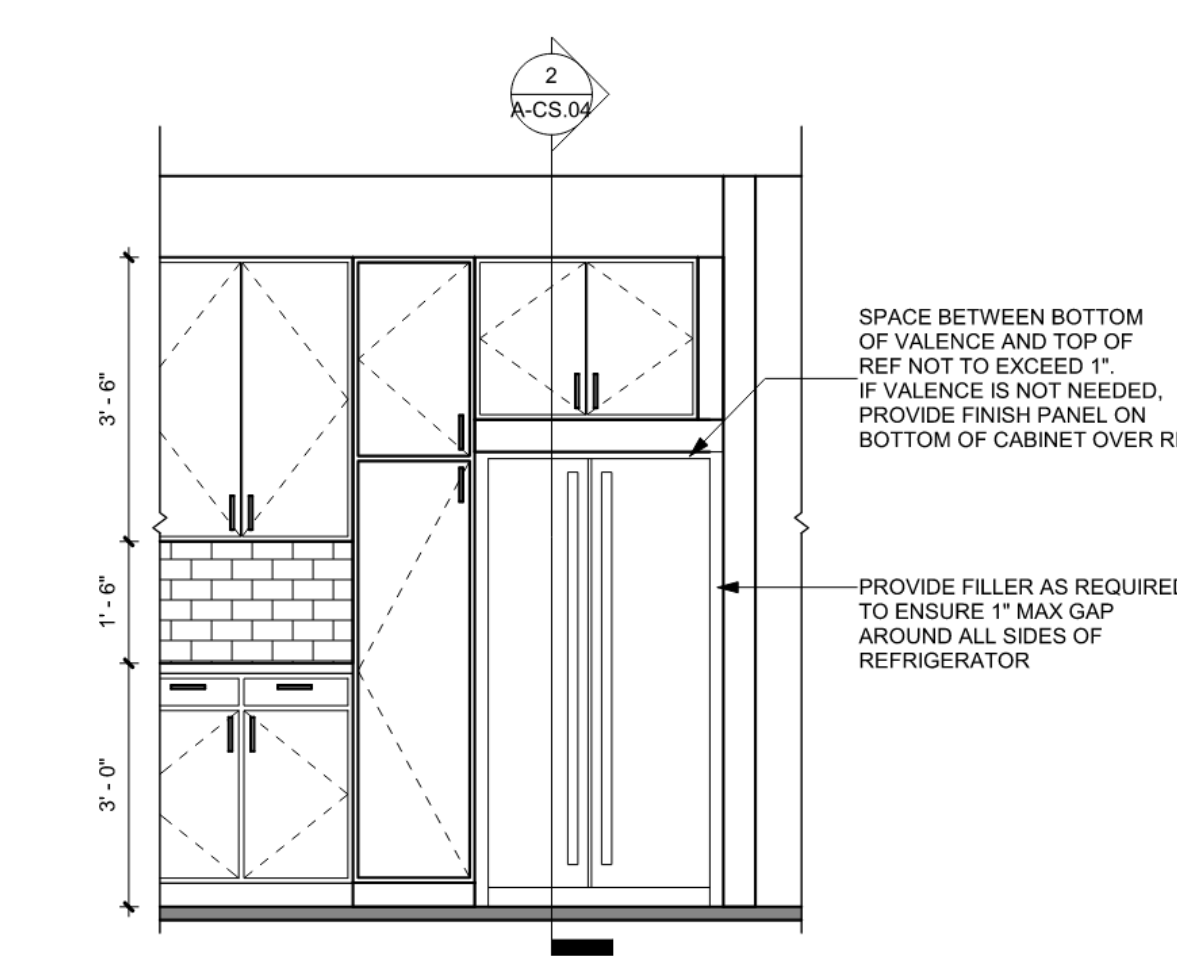
D1 FLOOR PLAN - LAYOUT D
1/2" = 1'-0"



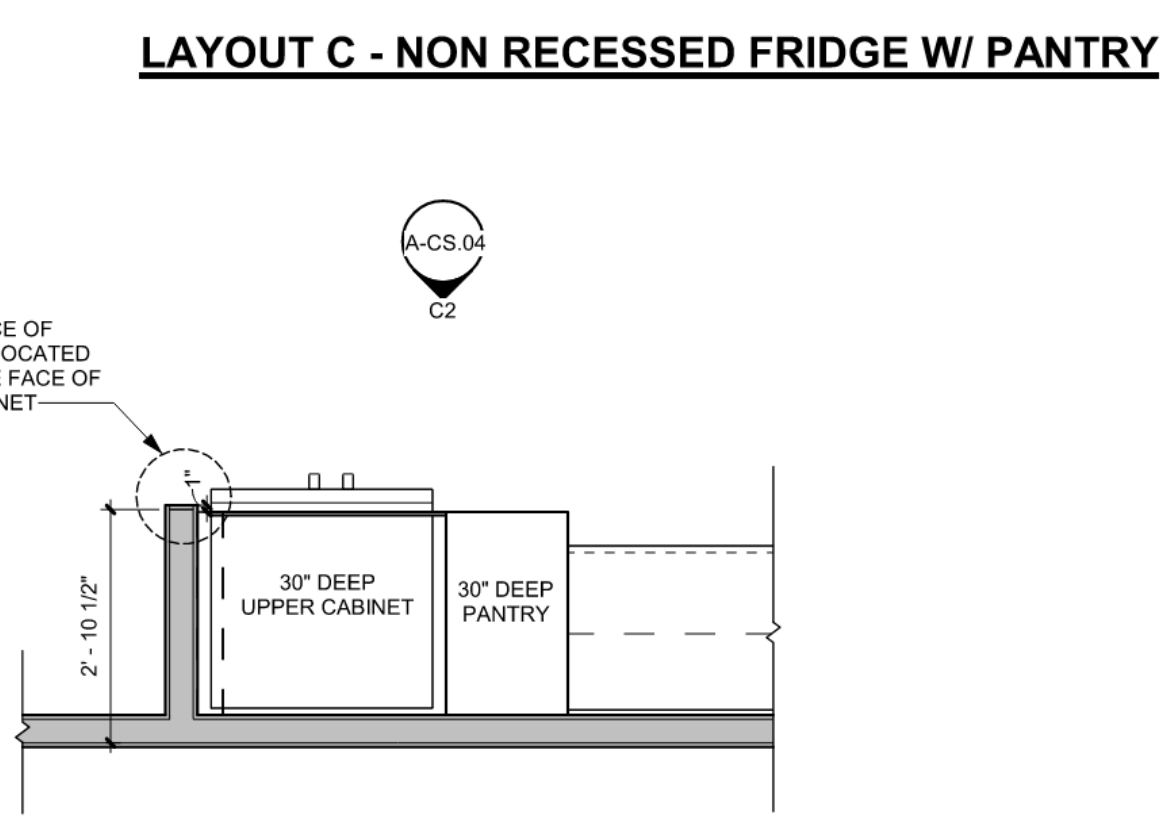
C3 3D AXON - LAYOUT C



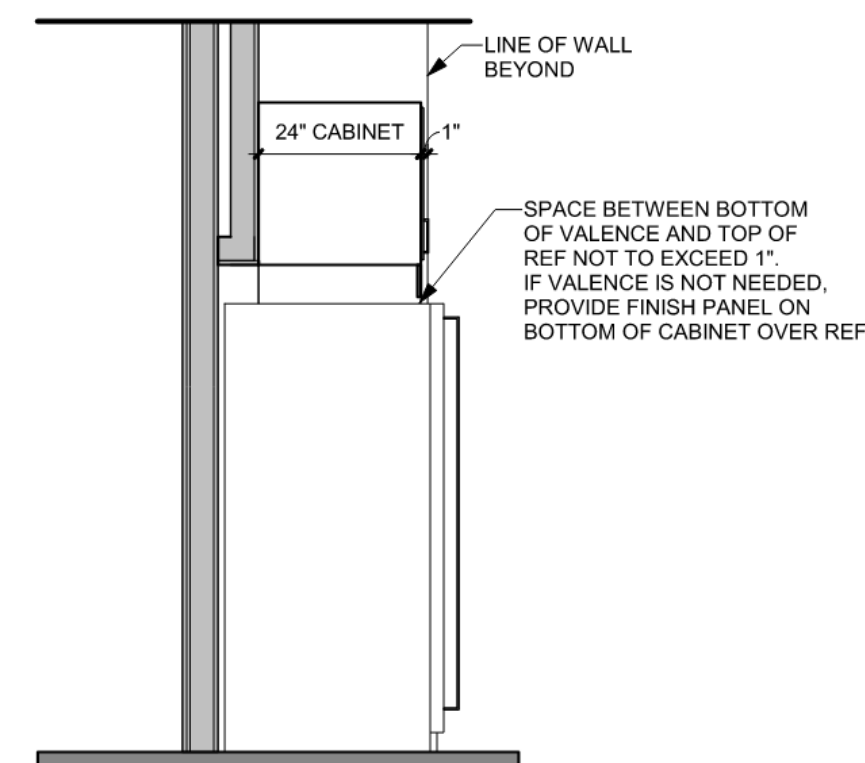
C2 ELEVATION - LAYOUT C
1/2" = 1'-0"



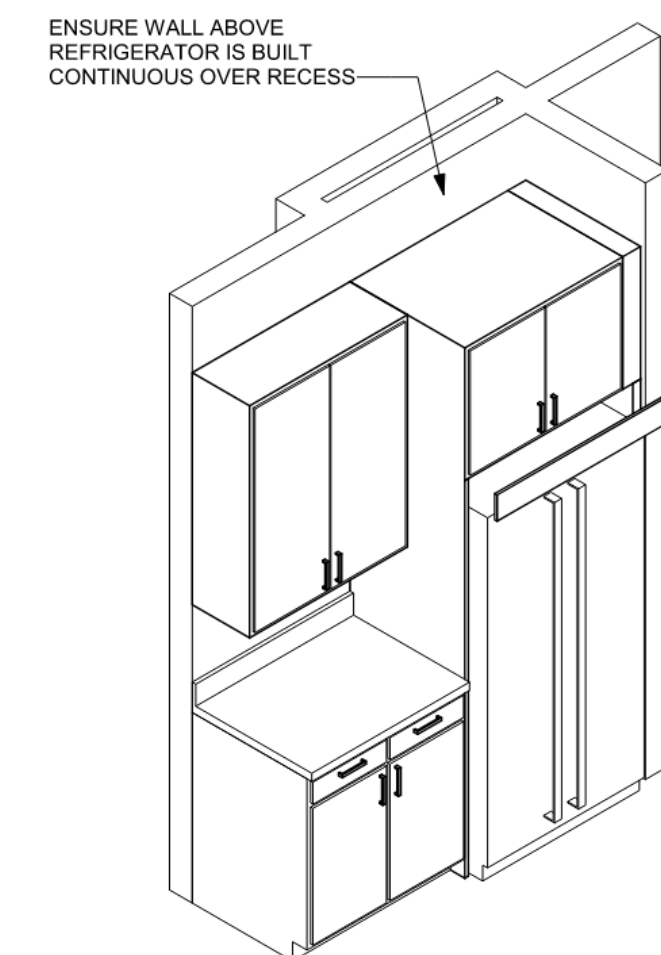
C1 FLOOR PLAN - LAYOUT C
1/2" = 1'-0"



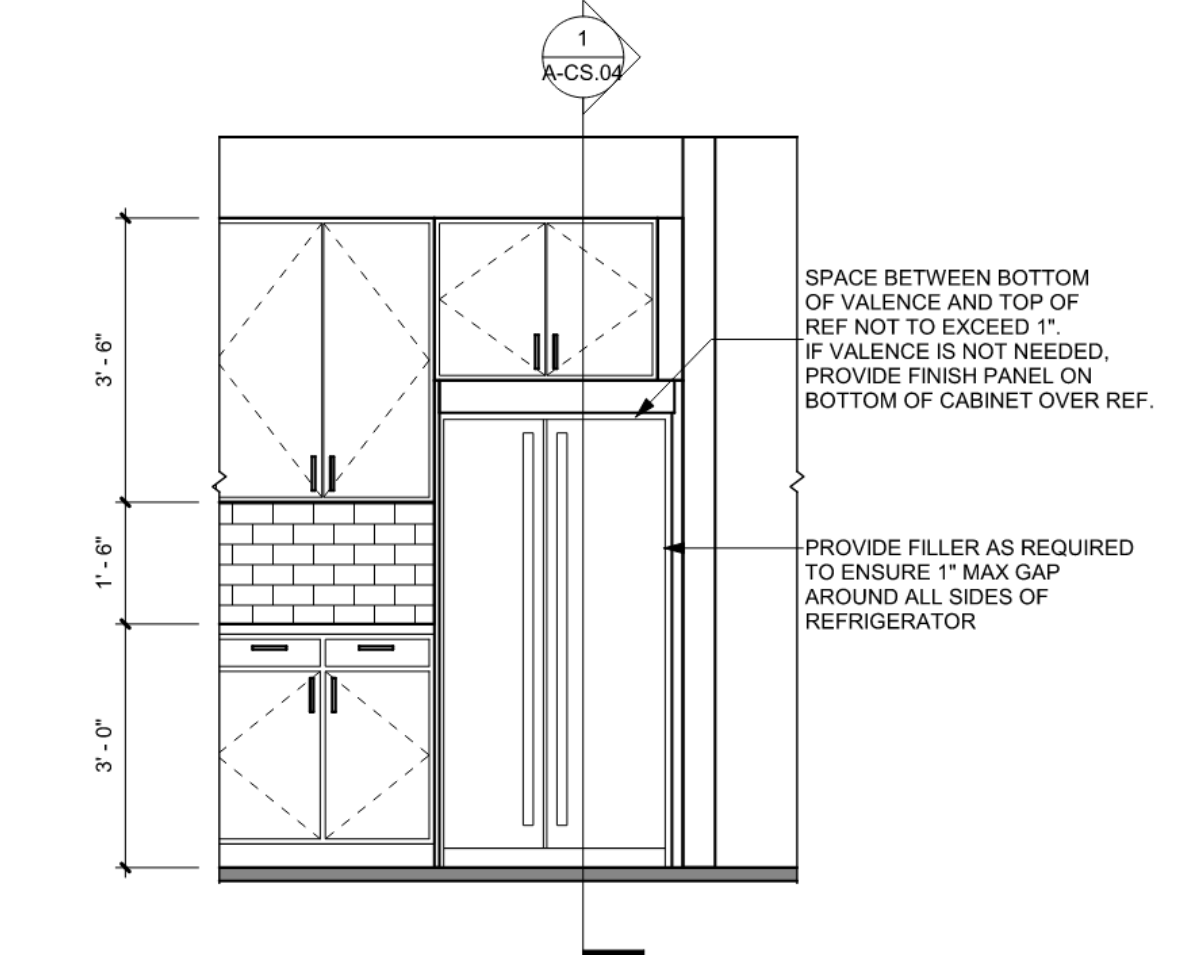
1 SECTION - RECESSED FRIDGE
1/2" = 1'-0"



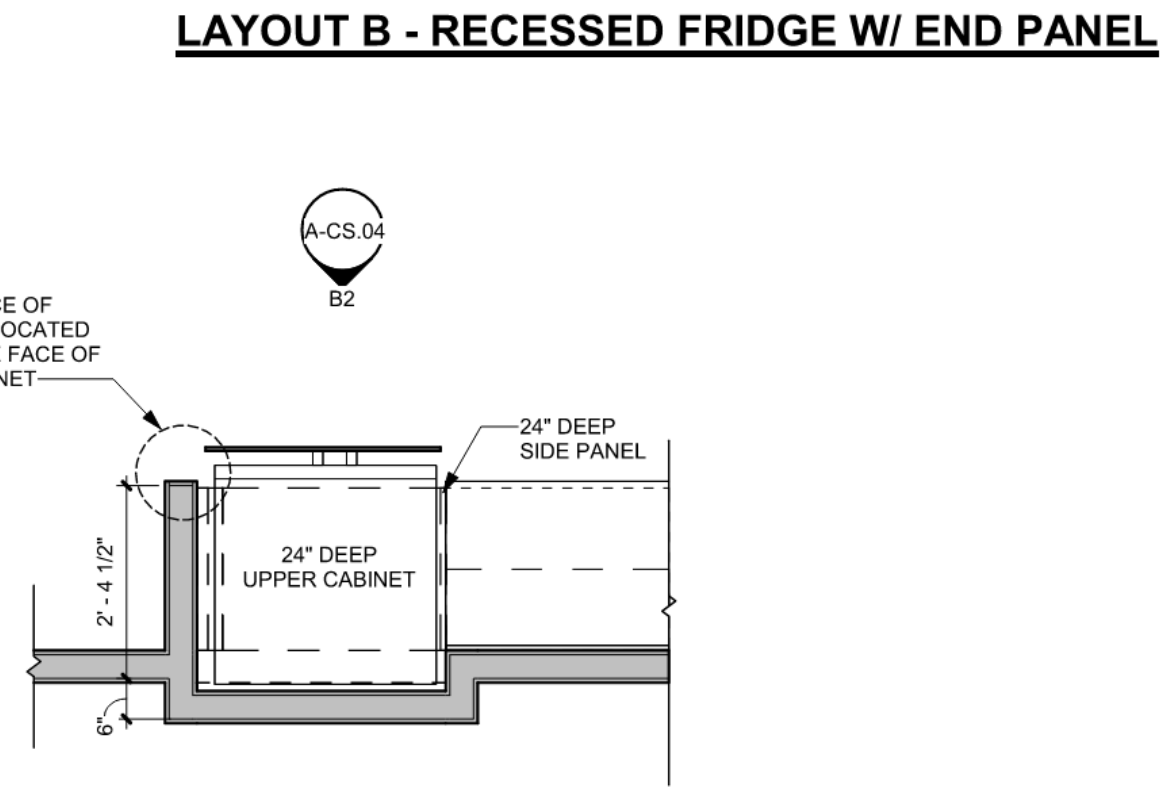
B3 3D AXON - LAYOUT B



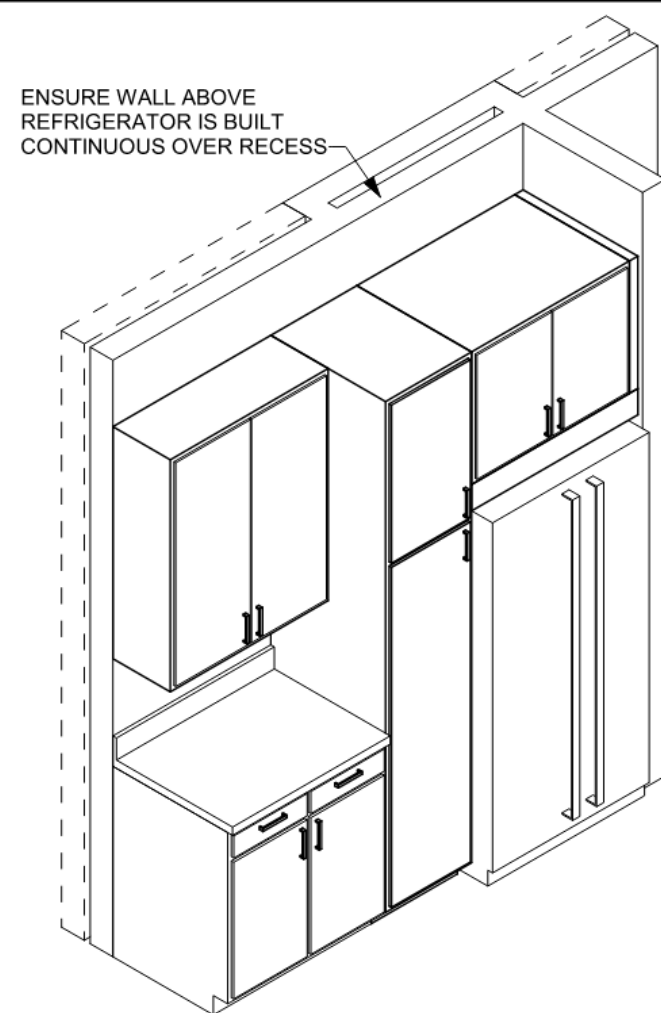
B2 ELEVATION - LAYOUT B
1/2" = 1'-0"



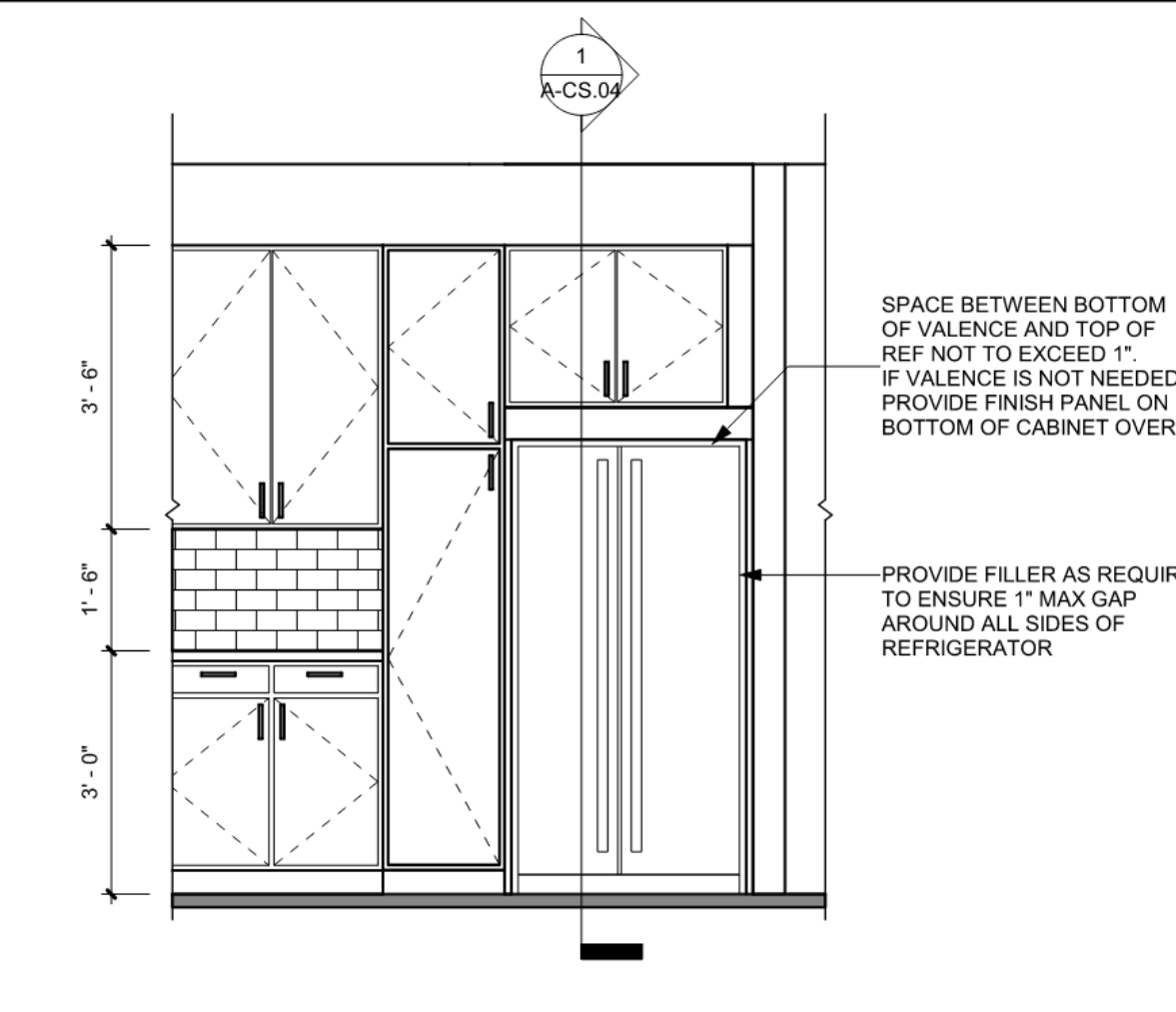
B1 FLOOR PLAN - LAYOUT B
1/2" = 1'-0"



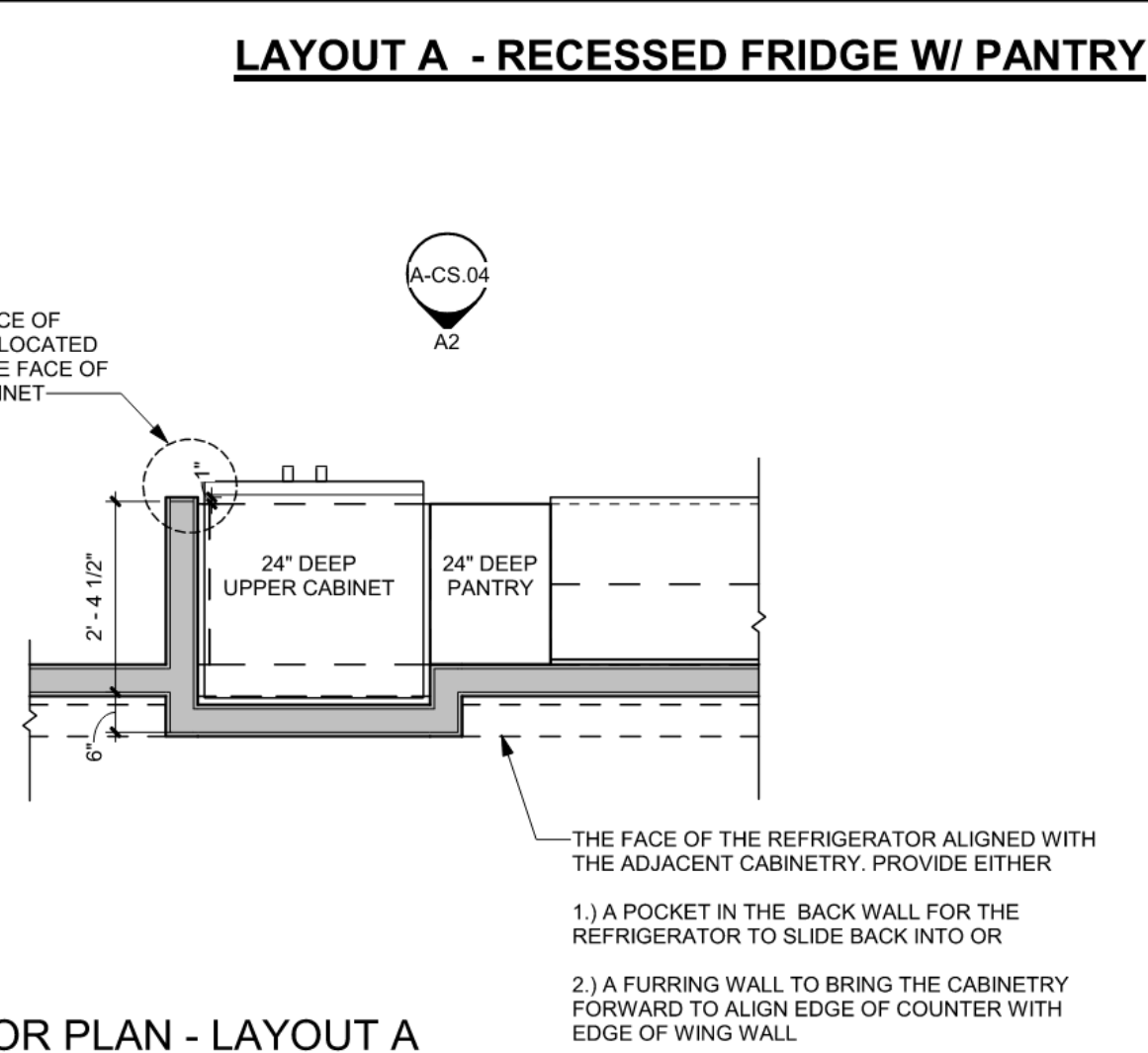
A3 3D AXON - LAYOUT A



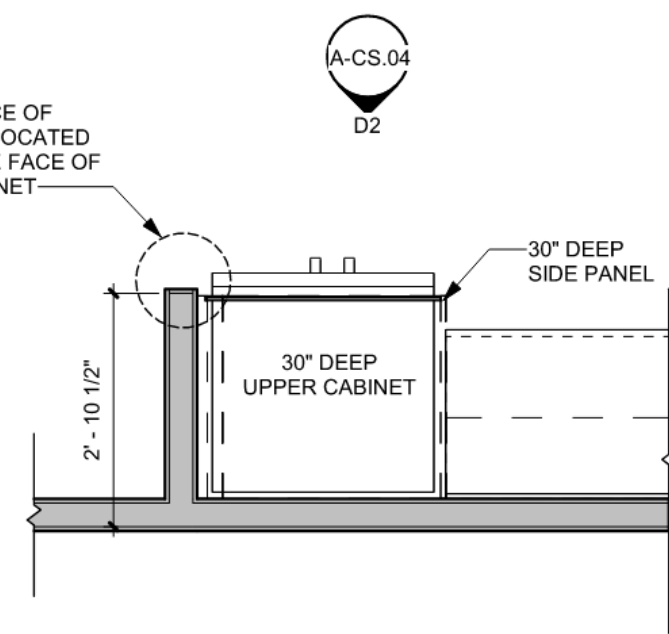
A2 ELEVATION - LAYOUT A
1/2" = 1'-0"



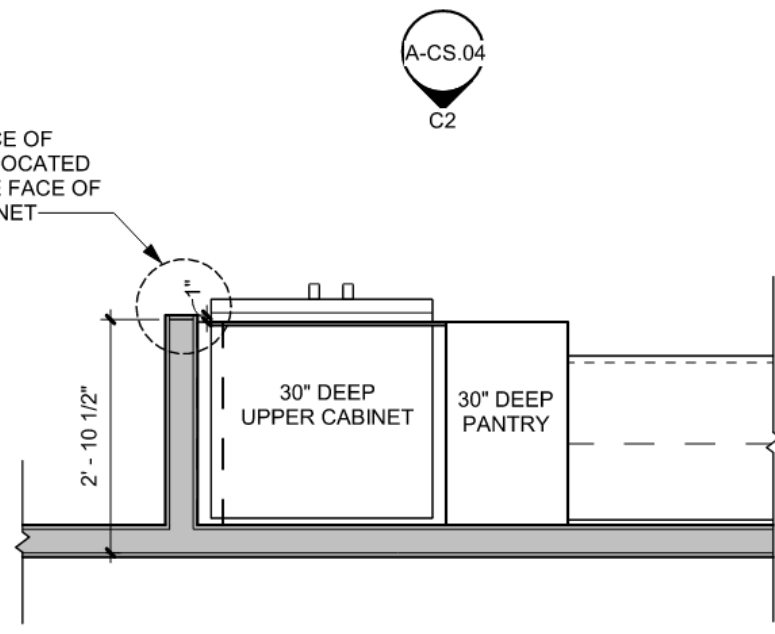
A1 FLOOR PLAN - LAYOUT A
1/2" = 1'-0"



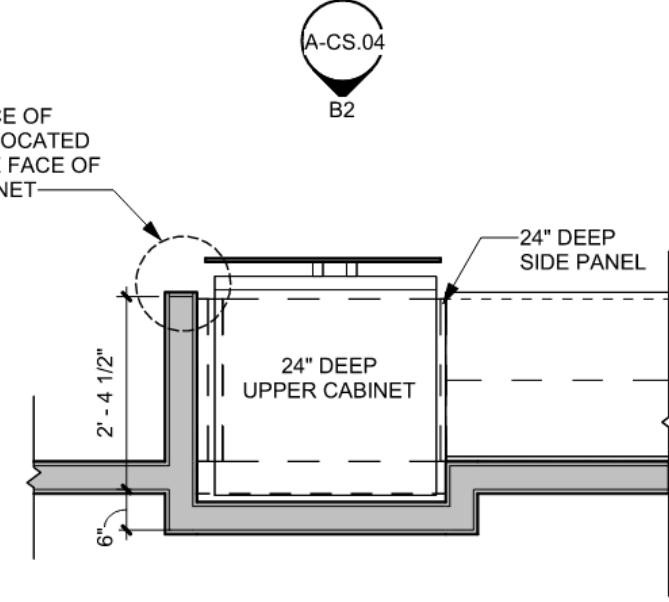
LAYOUT D - NON RECESSED FRIDGE W/ END PANEL



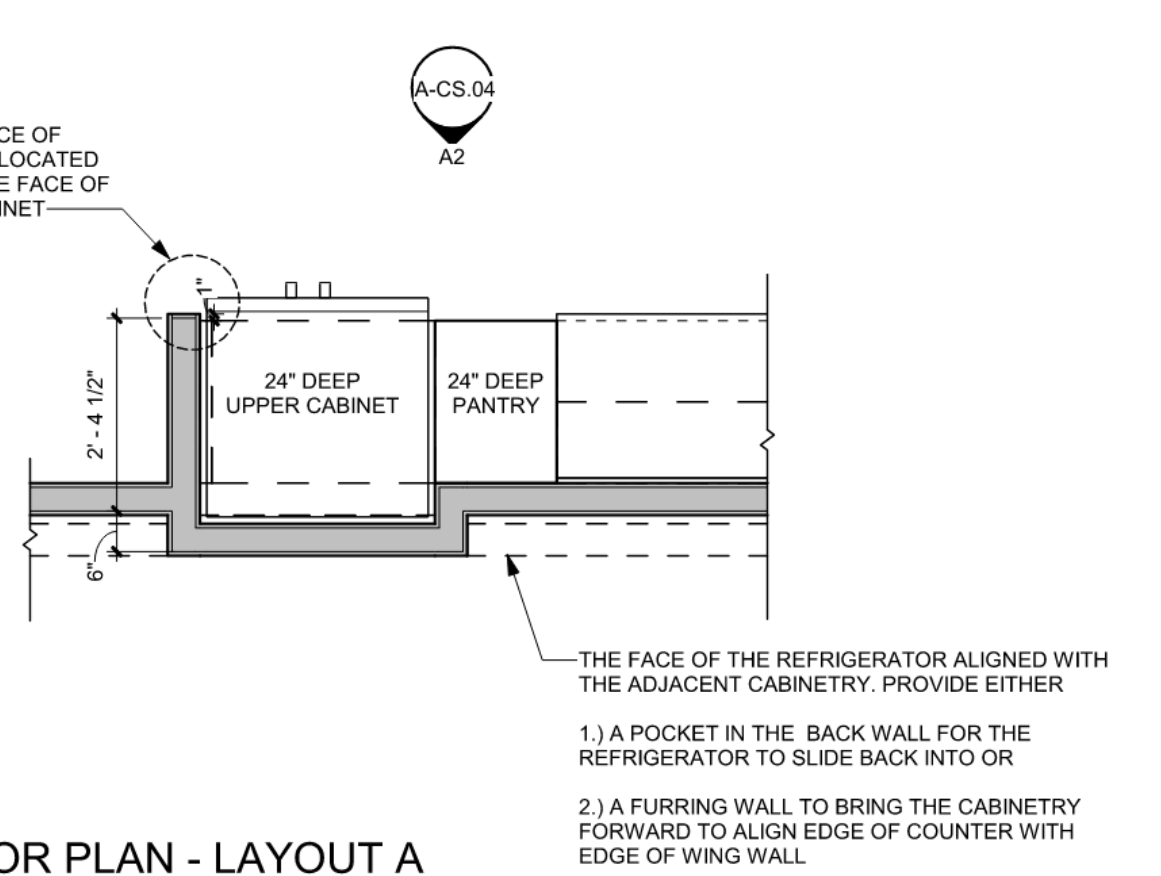
LAYOUT C - NON RECESSED FRIDGE W/ PANTRY



LAYOUT B - RECESSED FRIDGE W/ END PANEL



LAYOUT A - RECESSED FRIDGE W/ PANTRY



Date	Issued / Revised
02/17/2021	100% DESIGN DEVELOPMENT

©2020 LRK Inc.
Drawings, written material, and design concepts shall not be used or reproduced in whole or part in any form or format without prior written consent of LRK Inc. Do not scale drawings. Use given dimensions only. If not shown, verify correct dimensions with the Architect. Contractor shall check and verify all dimensions and conditions at job site.

Seal

02/17/21
FOR REVIEW ONLY - NOT FOR
CONSTRUCTION

CRESCENT STANDARDS - REFRIGERATOR LAYOUTS

JOB NUMBER:
DRAWN BY: DDS
ISSUED: 10/05/2018

A-CS.04

LRK Project Number: 04.20015.00

Project Name:
NOVEL PARKWAY

International Parkway
Seminole County, Florida 32771

Drawing Name:
CRESCENT STANDARD SHEETS

Drawn By:

Checked By: