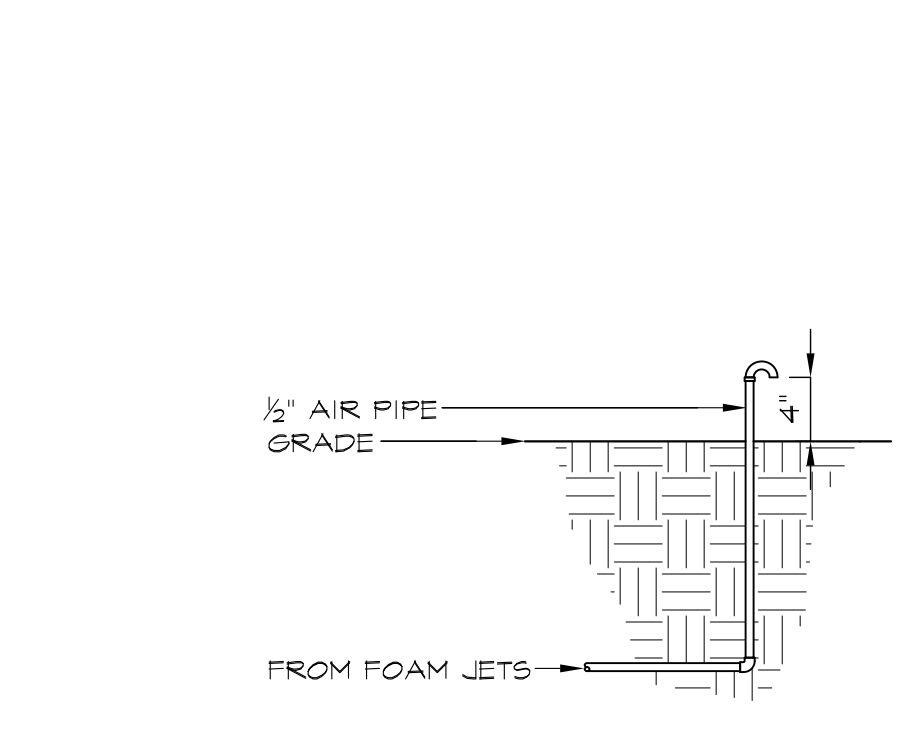
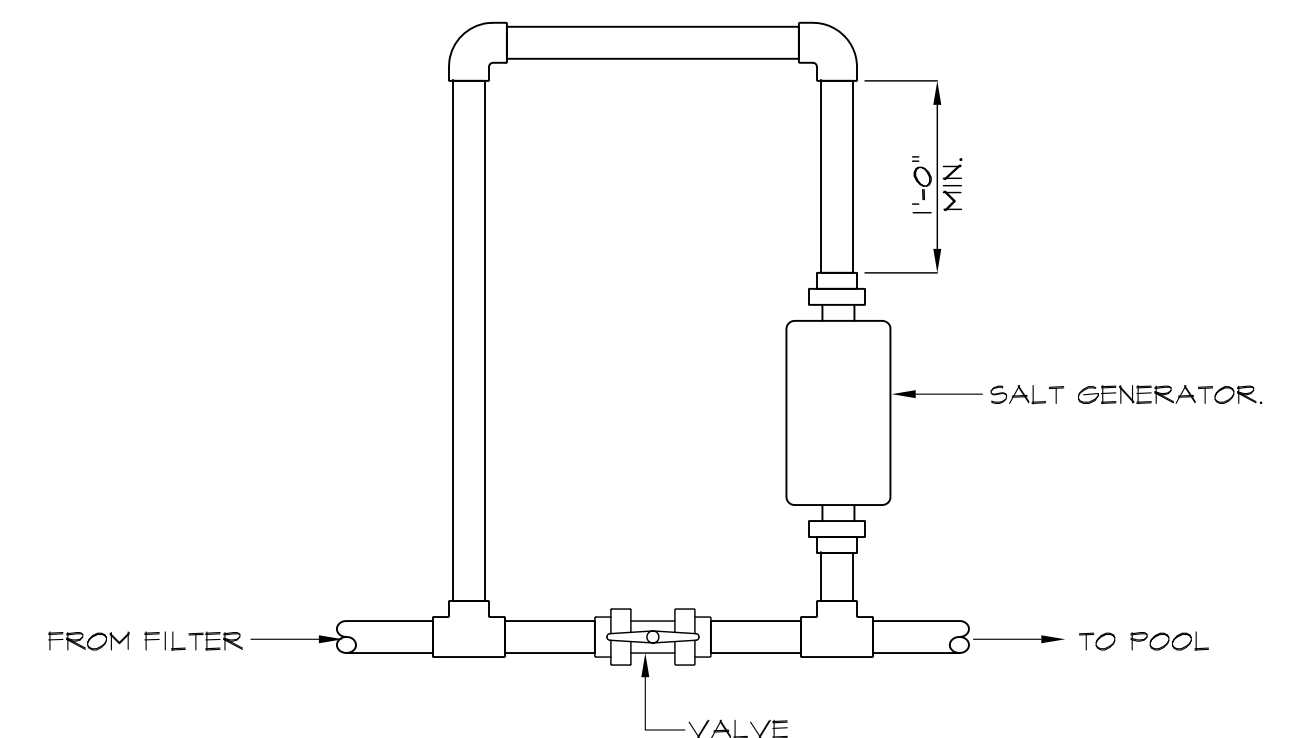


2 ENLARGED EQUIP. RM.
SP-3 SCALE: 1/2" = 1'-0"



4 FEATURE AIR PIPE
SP-3 SCALE: 1" = 1'-0"



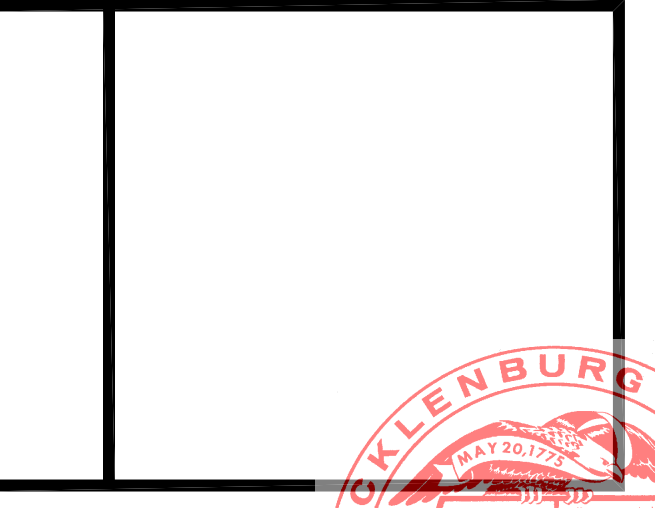
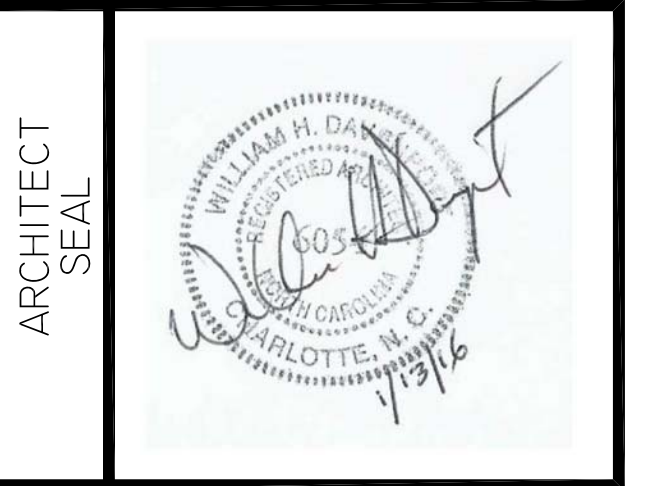
3 SALT GENERATOR LOOP
SP-3 SCALE: 1" = 1'-0"

1 POOL PIPING PLAN
SP-3 SCALE: 1/8" = 1'-0"

KEY SYMBOLS	
[Symbol]	POOL MAIN DRAINS
[Symbol]	VACUUM
[Symbol]	AUTO FILL
[Symbol]	ADJ. RETURN INLET
[Symbol]	FLOOR RETURN
[Symbol]	SKIMMER
[Symbol]	POOL LIGHT
[Symbol]	JUNCTION BOX
[Symbol]	FOAM JET

SOME ITEMS SHOWN IN THIS DRAWING ARE FOR PERMITTING PURPOSES ONLY. REFER TO THE POOL CONSTRUCTION CONTRACT FOR SCOPE OF WORK.

South End Architecture PLLC
1534 E. Worthington Ave.
Charlotte, NC 28203
PH: 704-309-9903
southendarchitecture@gmail.com



Southern Pool Company
BOX 150
SCOTTS, NC 28699
PHONE: 704-585-1551
FAX: 888-523-5138

This drawing and the design shown are the property of SOUTHERN POOL COMPANY. The reproduction, copying or other use of this drawing without their written consent is prohibited and any infringement will be subject to legal action.

PROVIDENCE FARM POOL
CHARLOTTE, NC

DATE: 01-12-16
JOB NUMBER: 15-10-153
CHECKED BY: WHD
DRAWN BY: CDB
TITLE: POOL PIPING PLAN
SHEET NUMBER: SP-3