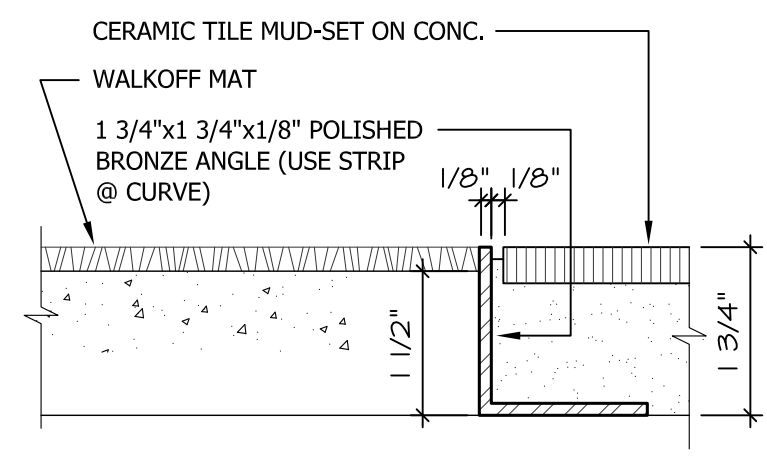
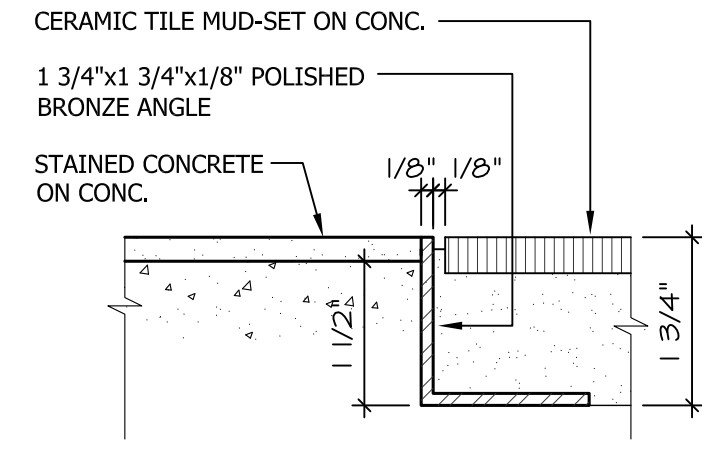


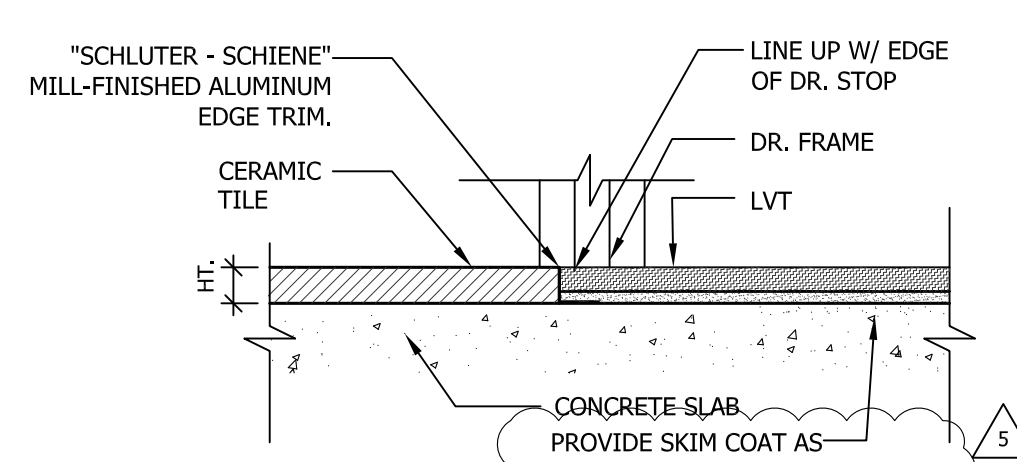
THIS DRAWING AND THE DESIGN SHOWN IS THE PROPERTY OF THE ARCHITECT AND MAY NOT BE REPRODUCED, COPIED OR USED WITHOUT WRITTEN PERMISSION. COPYRIGHT © 2016, INTEC Group, Inc.



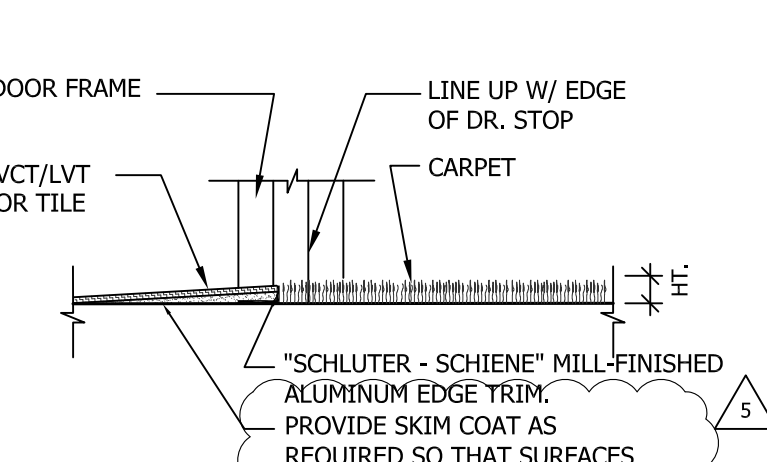
1 TRANSITION - WALKOFF TO CER. TILE  
ID12.0 SCALE: 6" = 1'-0"



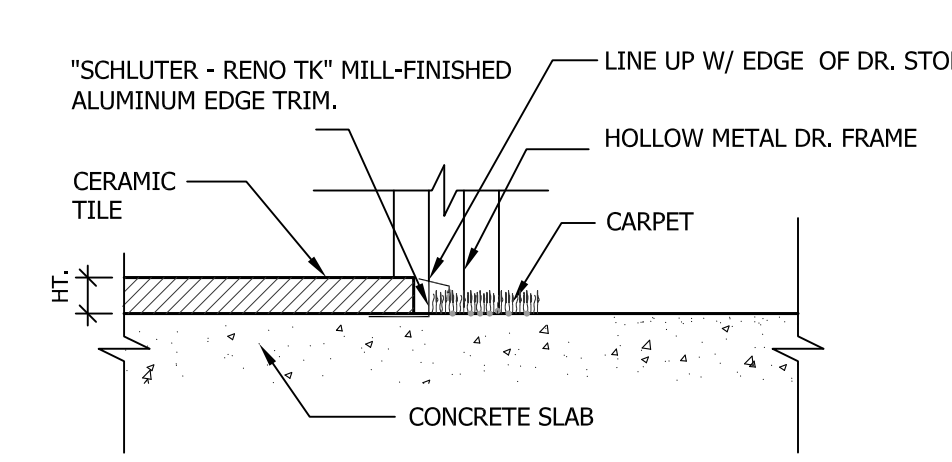
2 TRANSITION - CONCRETE TO CER. TILE  
ID12.0 SCALE: 6" = 1'-0"



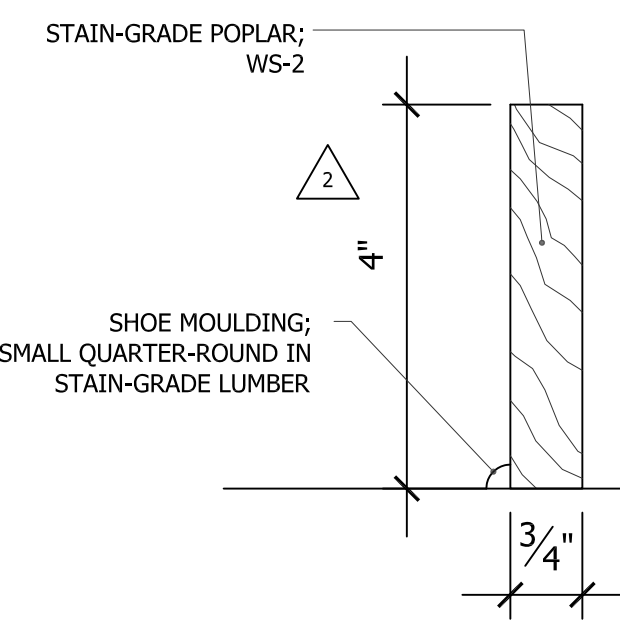
3 TRANSITION - CER. TILE TO LVT  
ID12.0 SCALE: 6" = 1'-0"



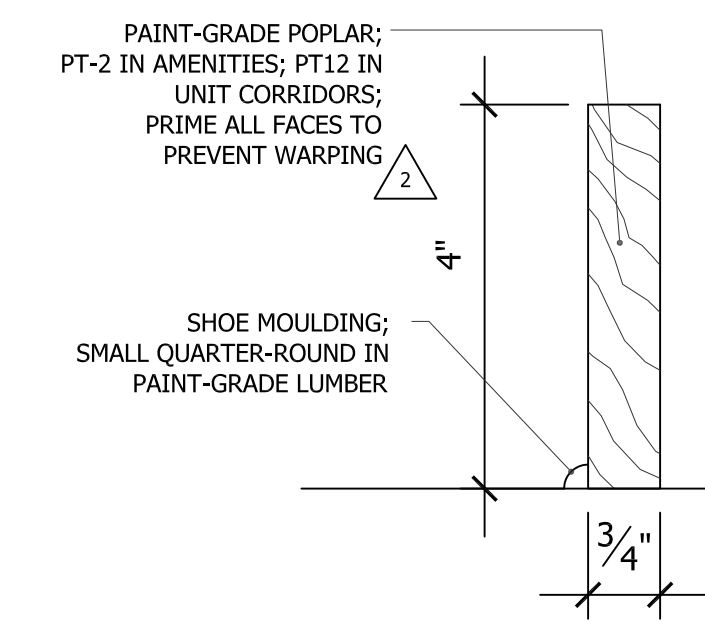
4 TRANSITION - LVT TO CARPET  
ID12.0 SCALE: 6" = 1'-0"



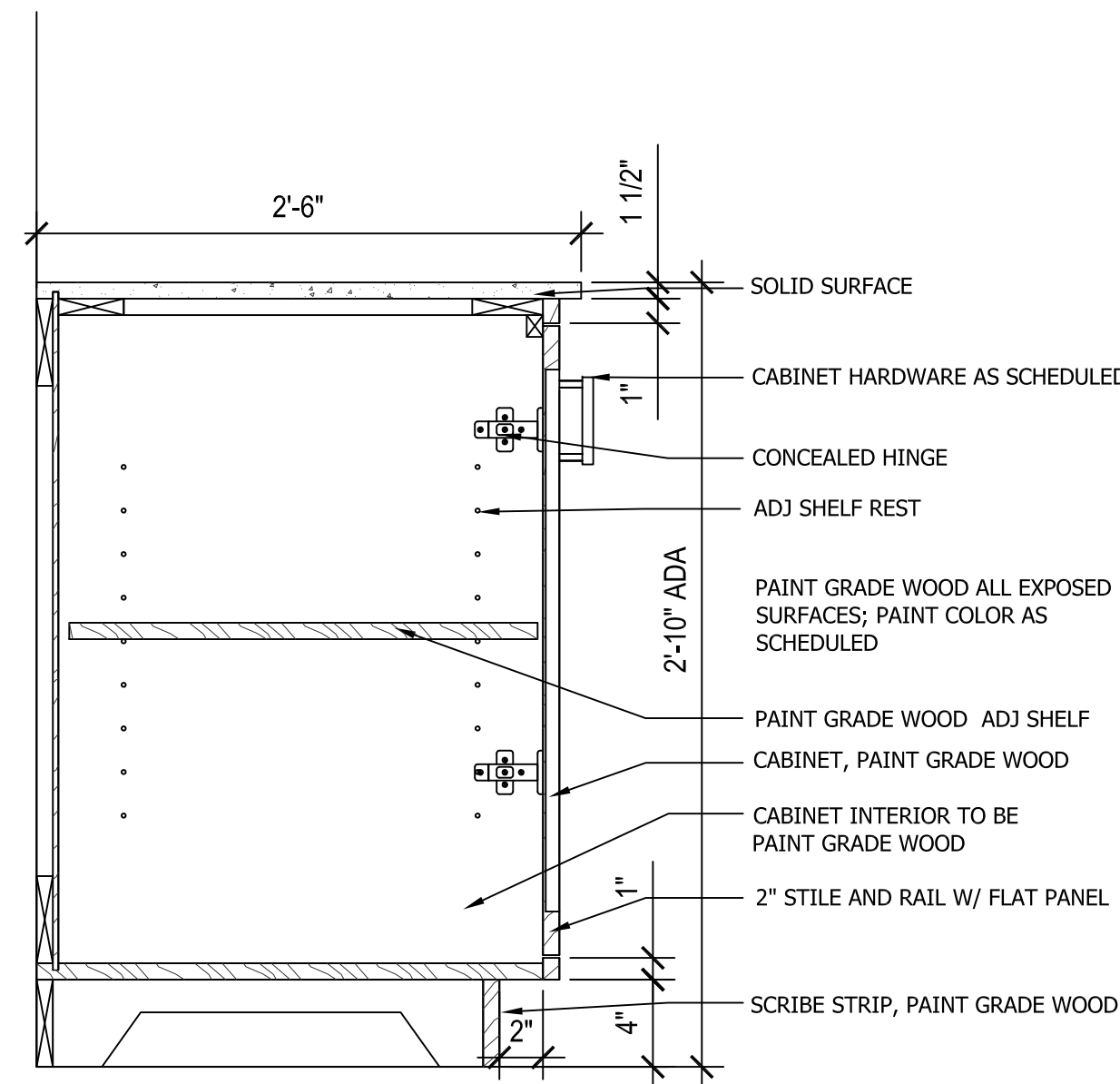
5 TRANSITION - CER. TILE TO CARPET  
ID12.0 SCALE: 6" = 1'-0"



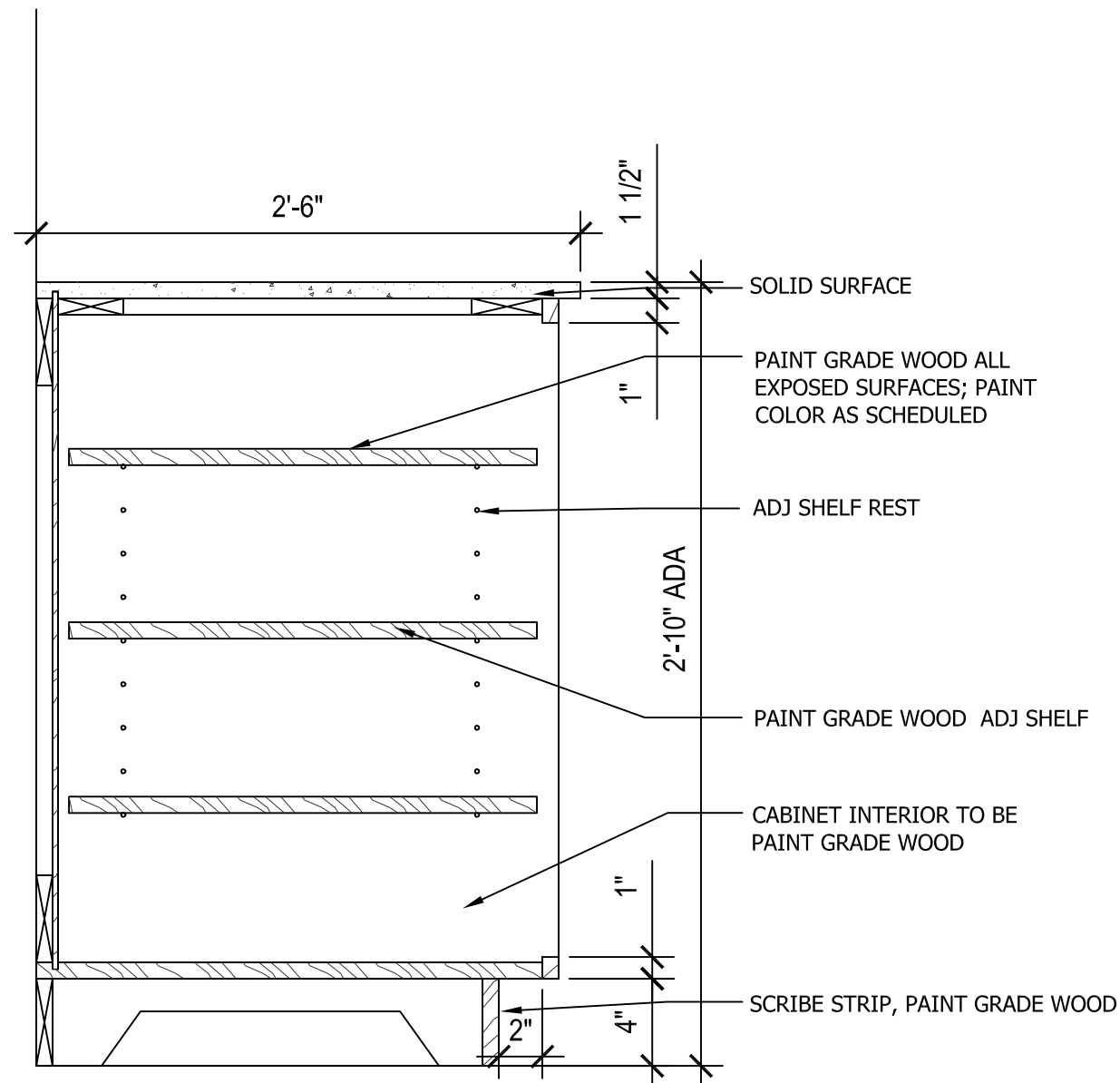
6 WALL BASE - STAINED WOOD  
ID12.0 SCALE: 6" = 1'-0"



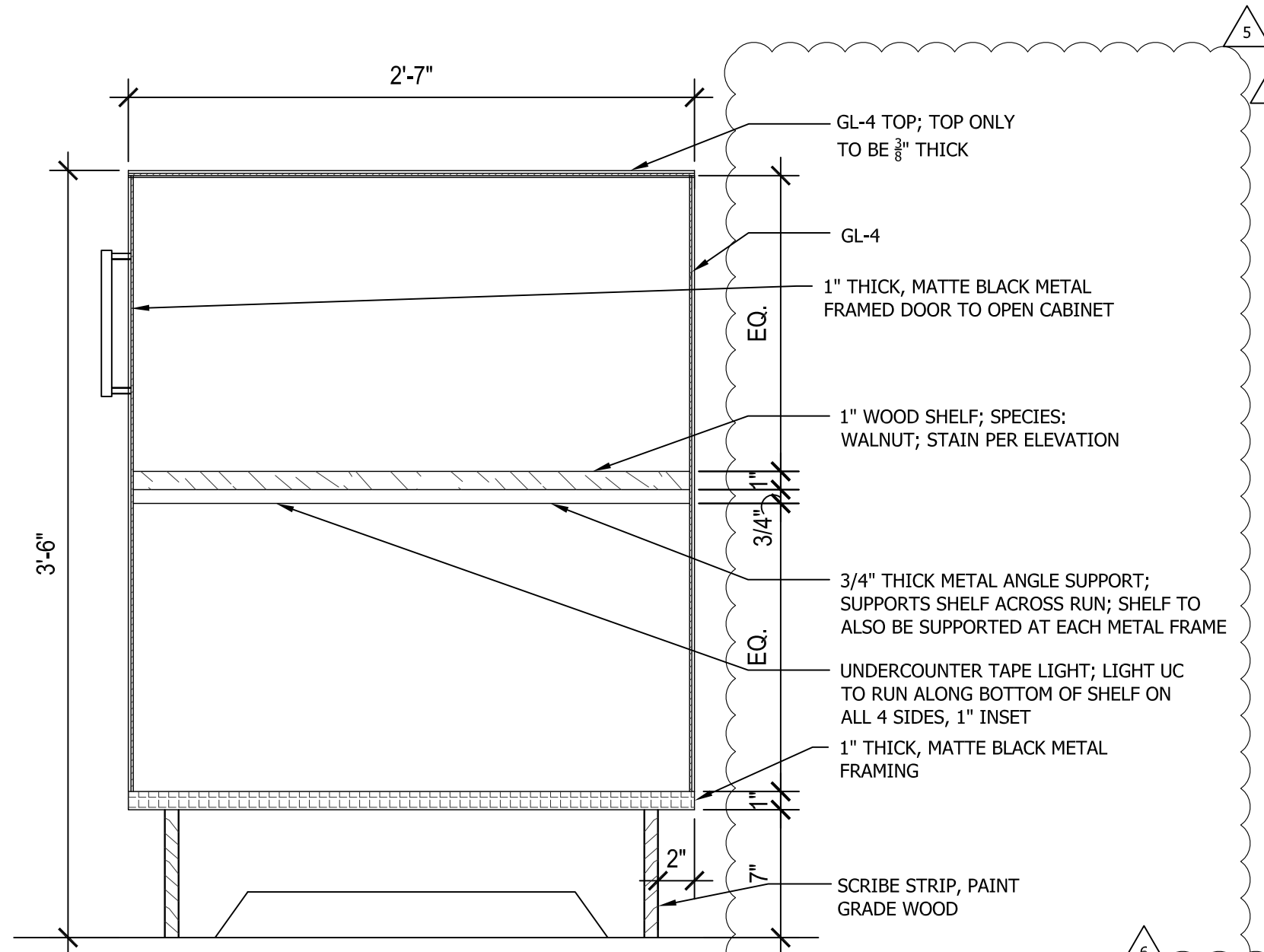
7 WALL BASE - PAINTED WOOD  
ID12.0 SCALE: 6" = 1'-0"



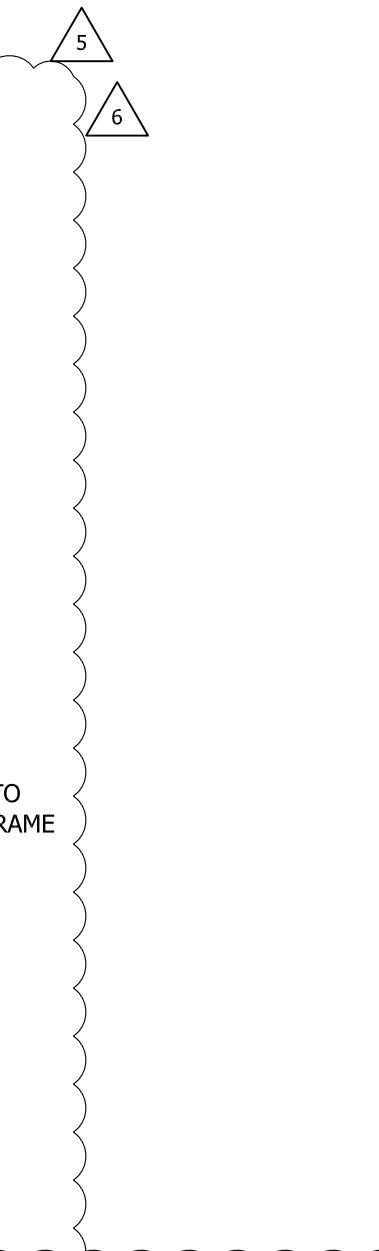
8 TYPICAL LOWER CABINET  
ID12.0 SCALE: 1-1/2" = 1'-0"



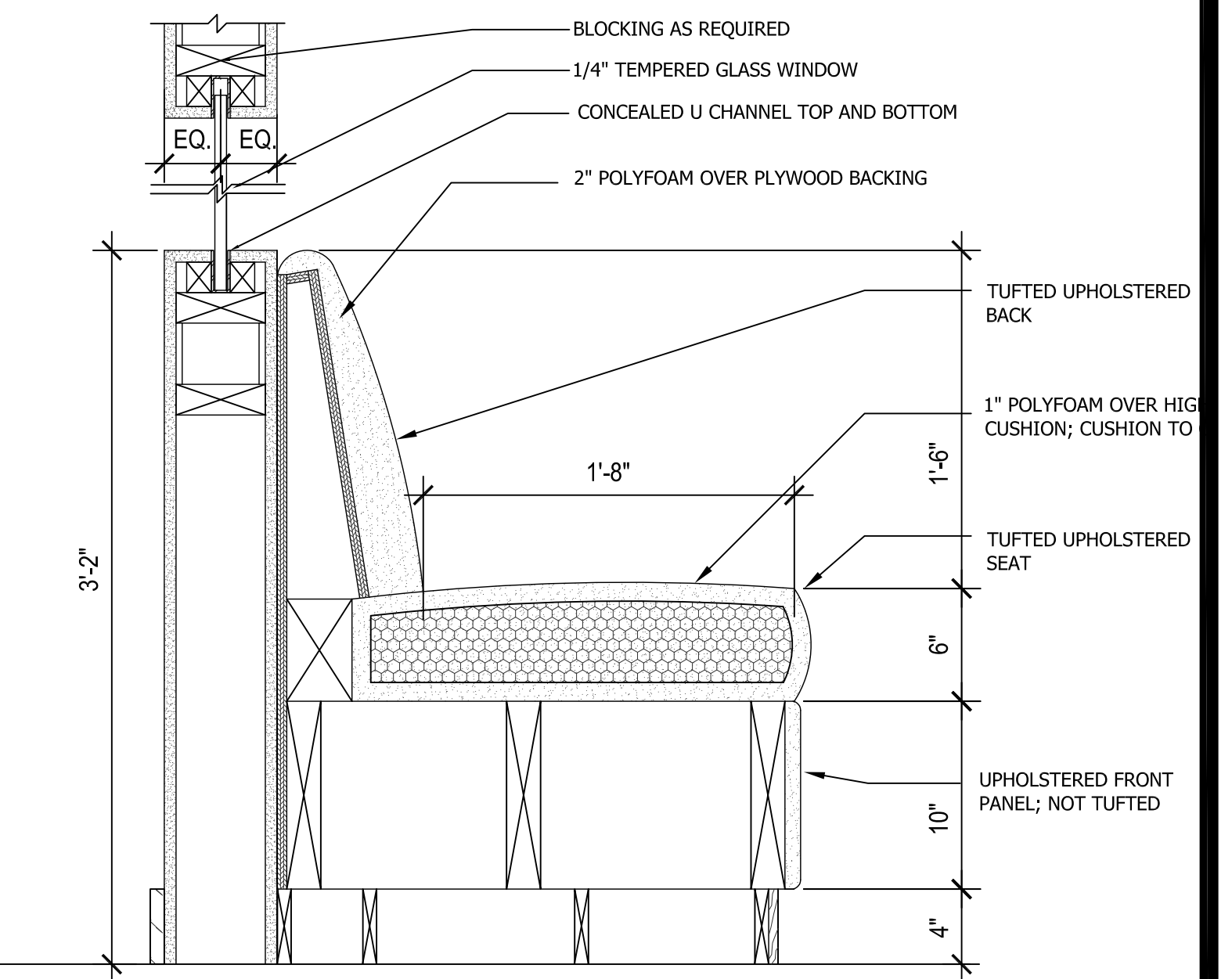
9 EXPOSED LOWER CABINET  
ID12.0 SCALE: 1-1/2" = 1'-0"



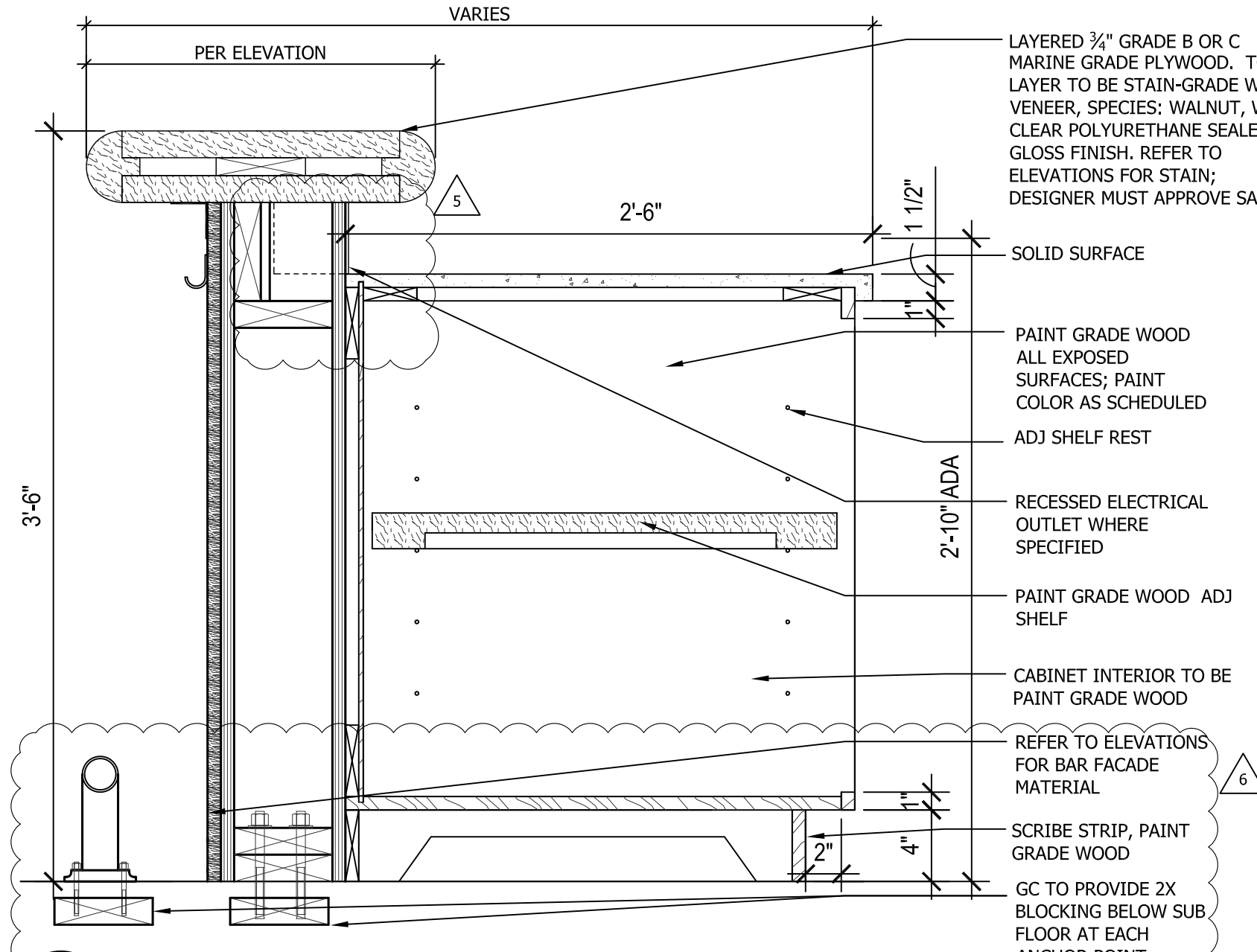
10 GLASS BAR SHELVING  
ID12.0 SCALE: 1-1/2" = 1'-0"



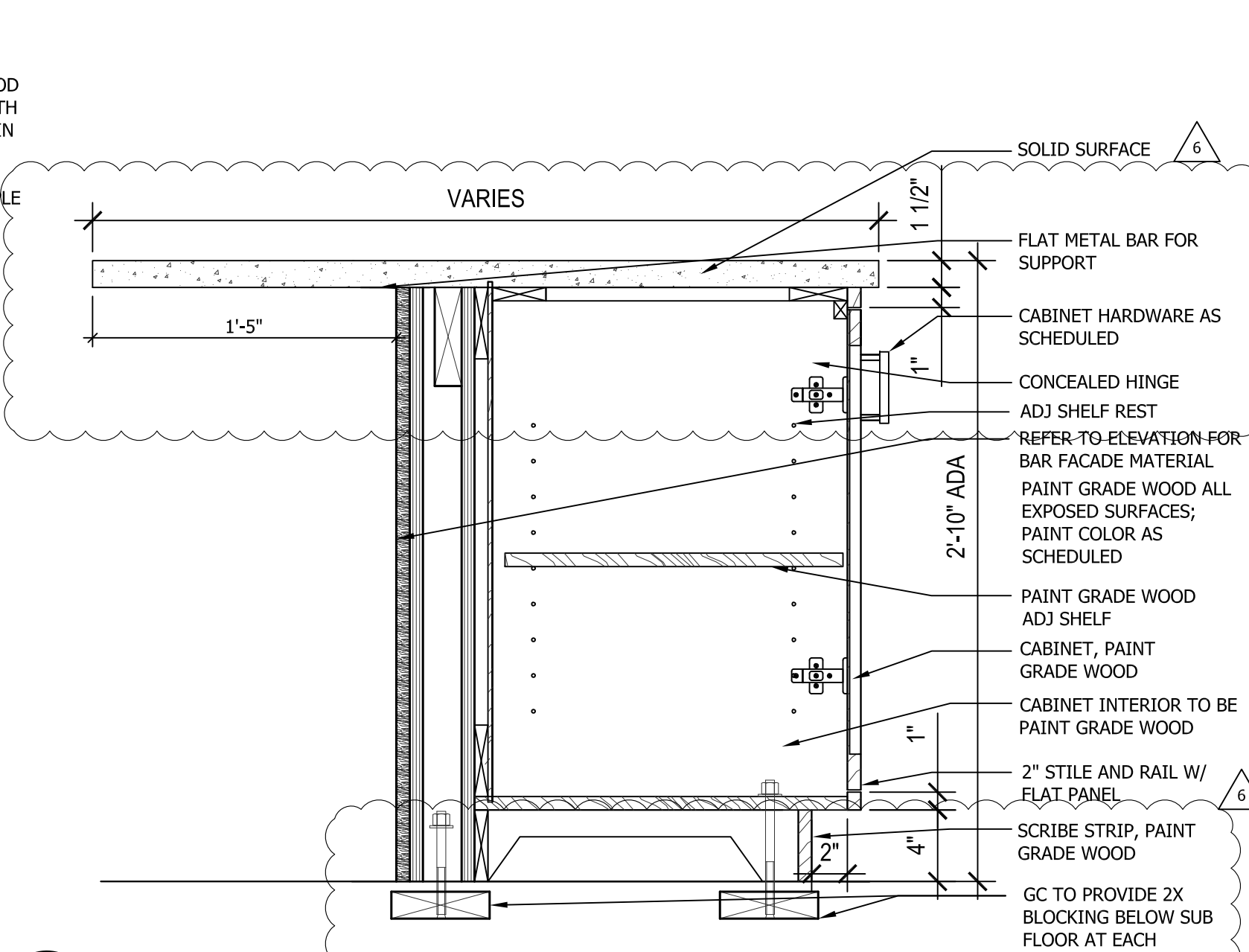
11 NOT USED  
ID12.0 SCALE: 1-1/2" = 1'-0"



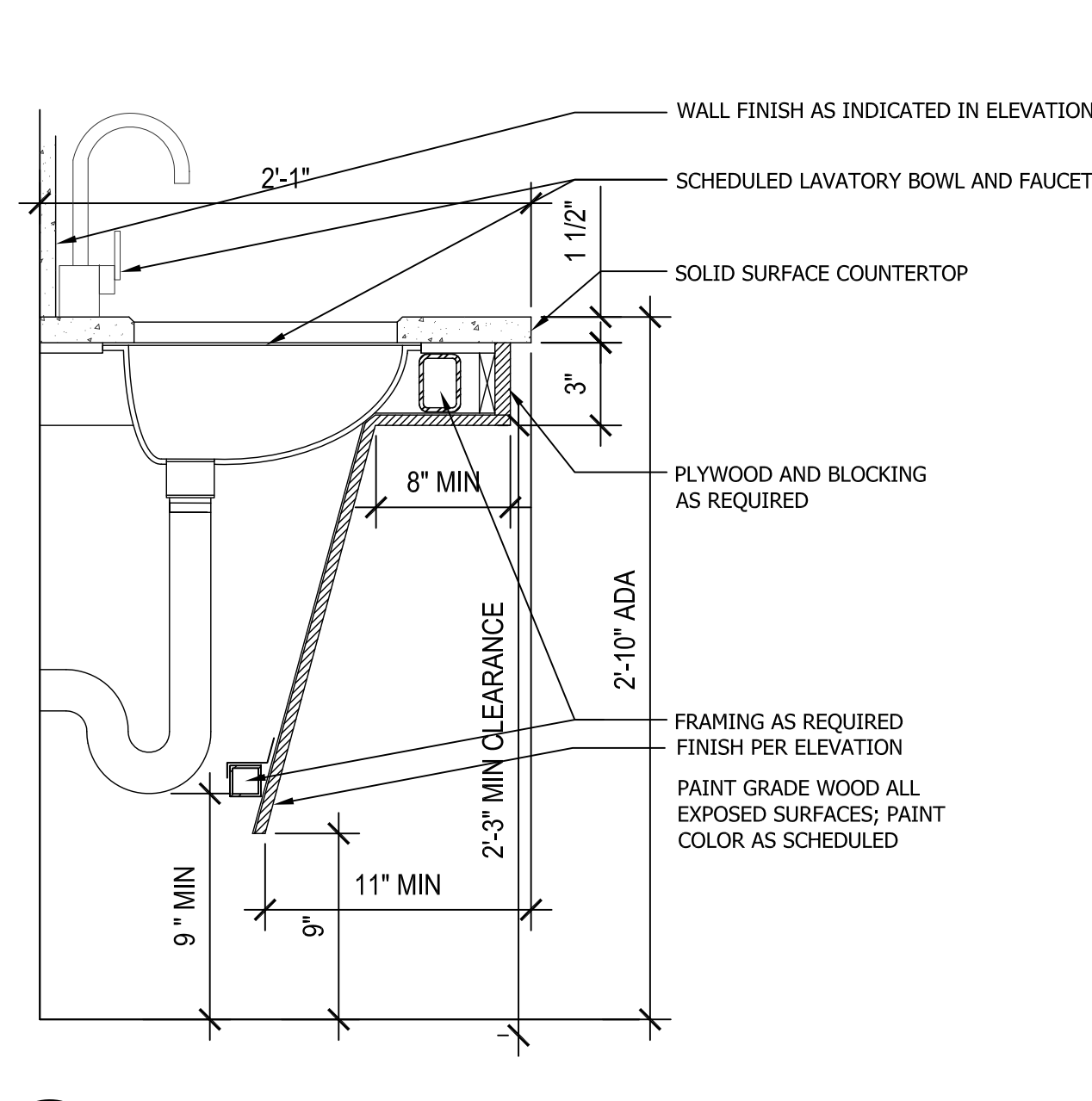
12 BANQUETTE W/ SOLID BASE  
ID12.0 SCALE: 1-1/2" = 1'-0"



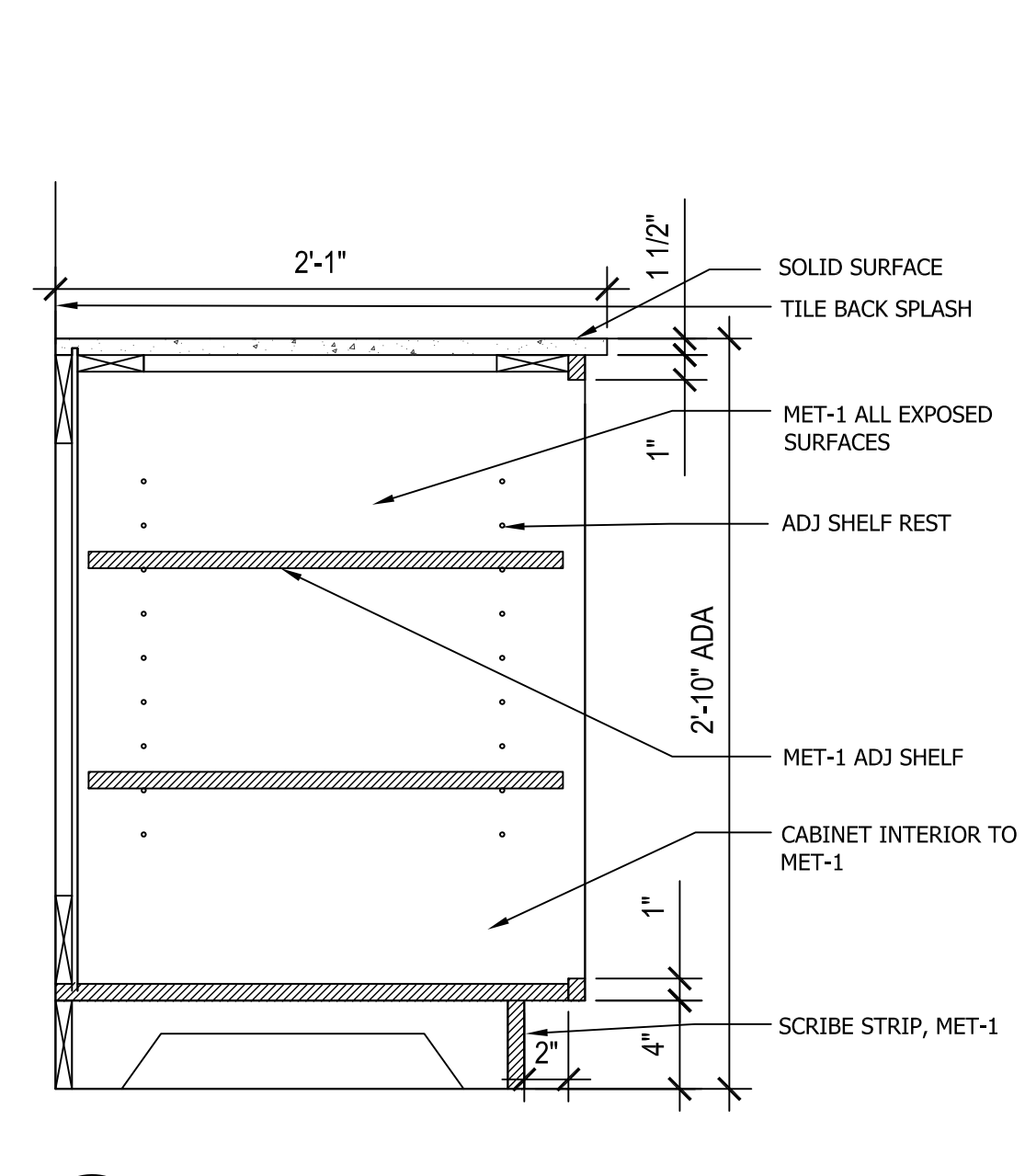
13 DUAL HEIGHT BAR  
ID12.0 SCALE: 1-1/2" = 1'-0"



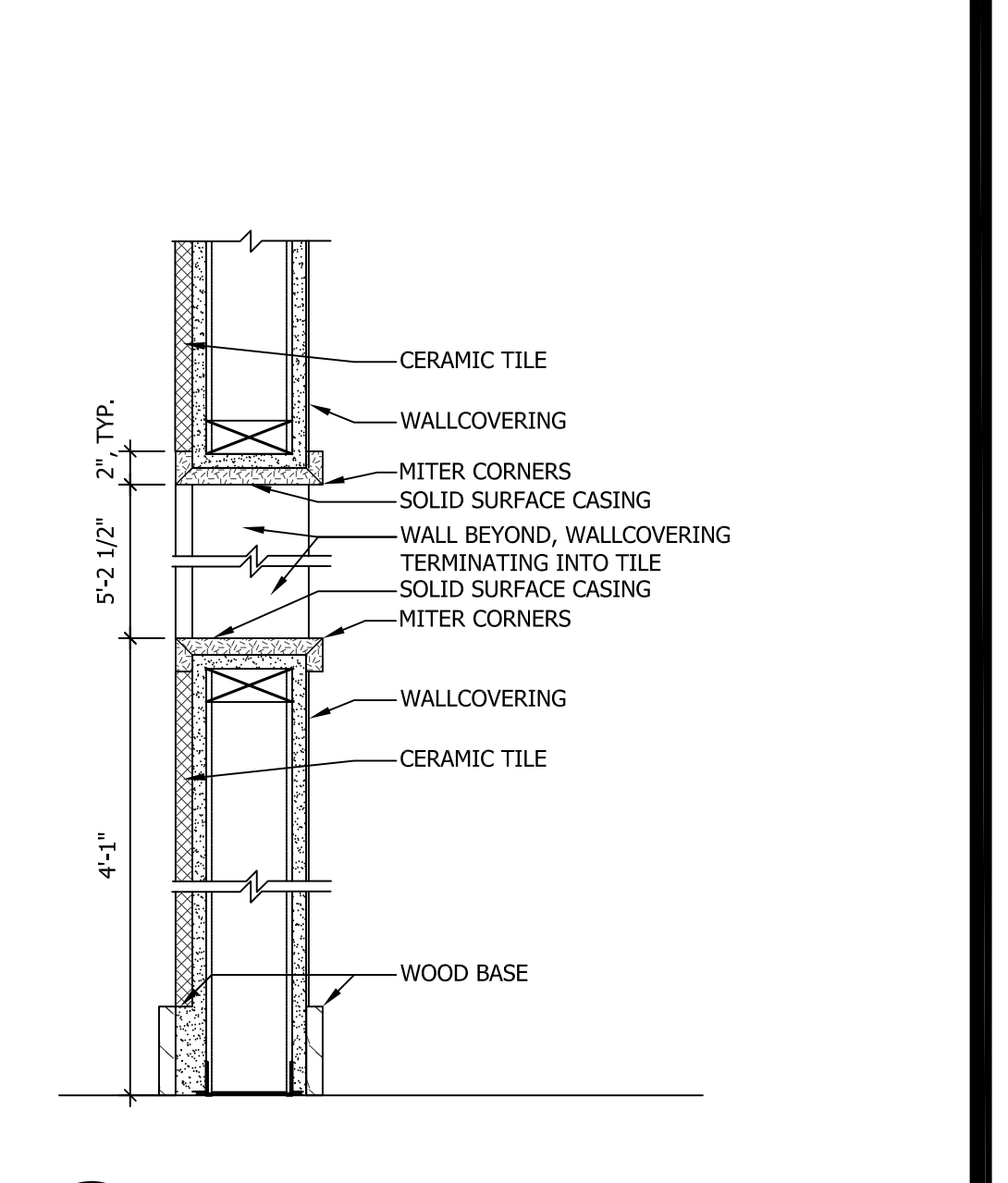
14 SINGLE HEIGHT BAR  
ID12.0 SCALE: 1-1/2" = 1'-0"



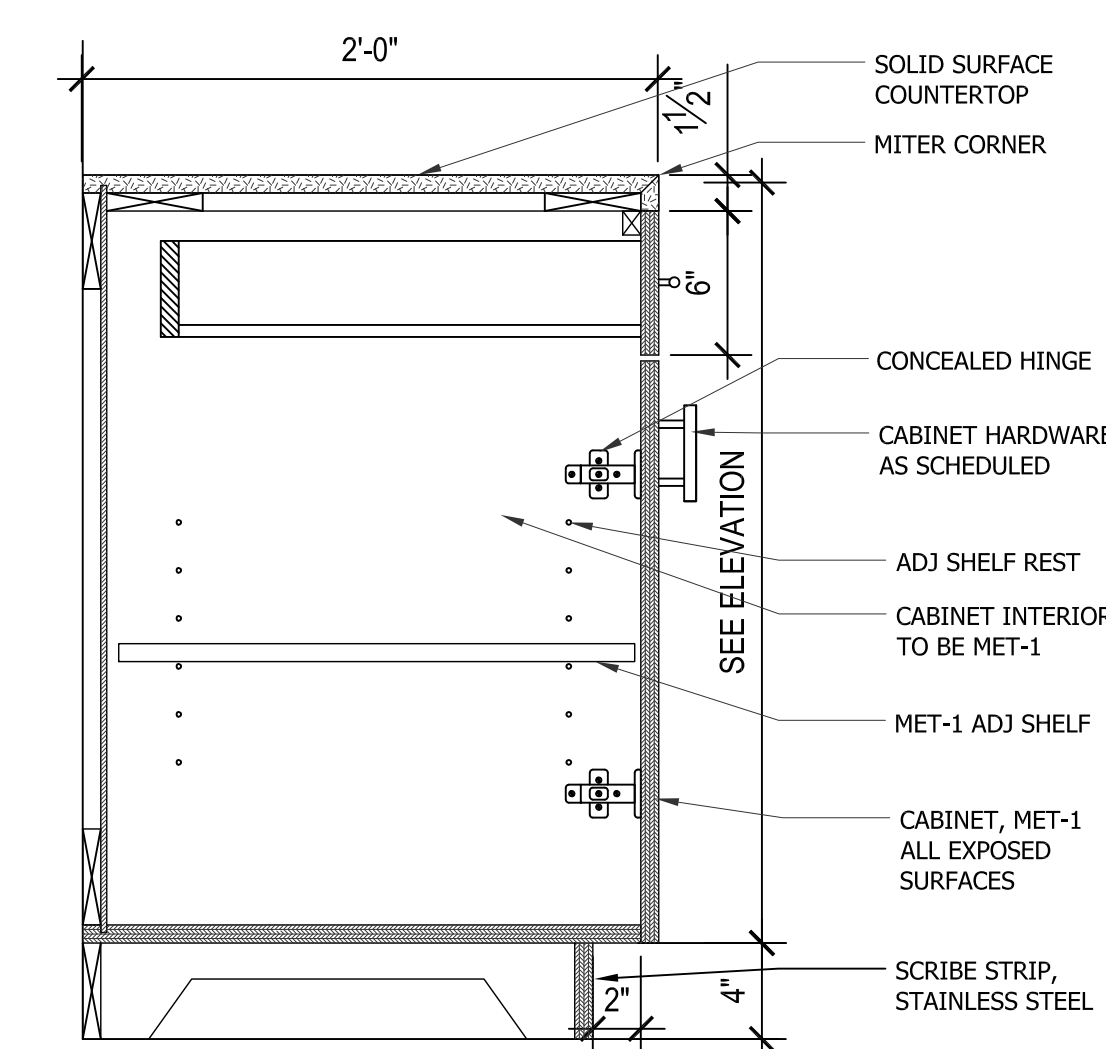
15 ADA SINK - SOLID SURFACE COUNTER  
ID12.0 SCALE: 1-1/2" = 1'-0"



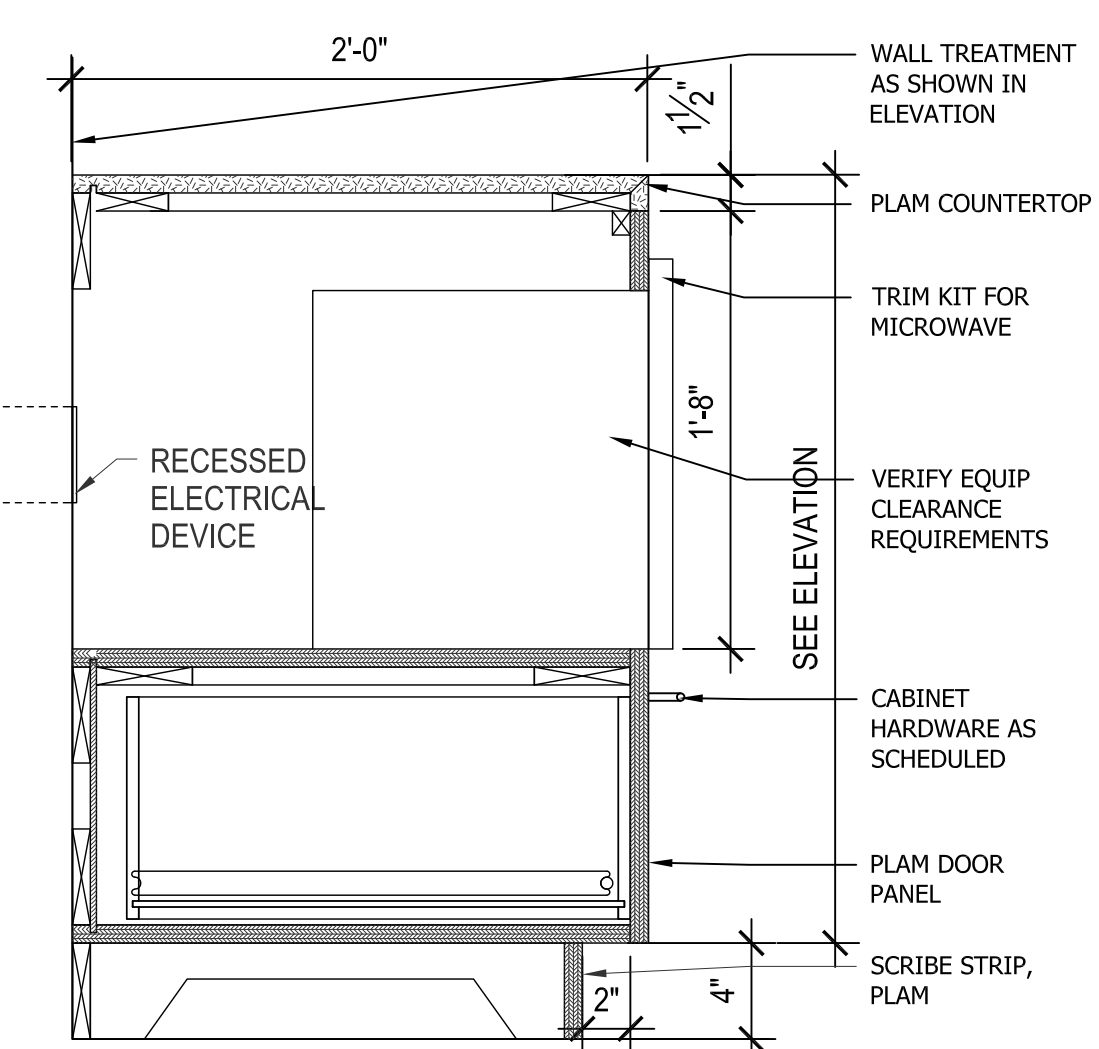
16 EXPOSED LOWER CABINET  
ID12.0 SCALE: 1-1/2" = 1'-0"



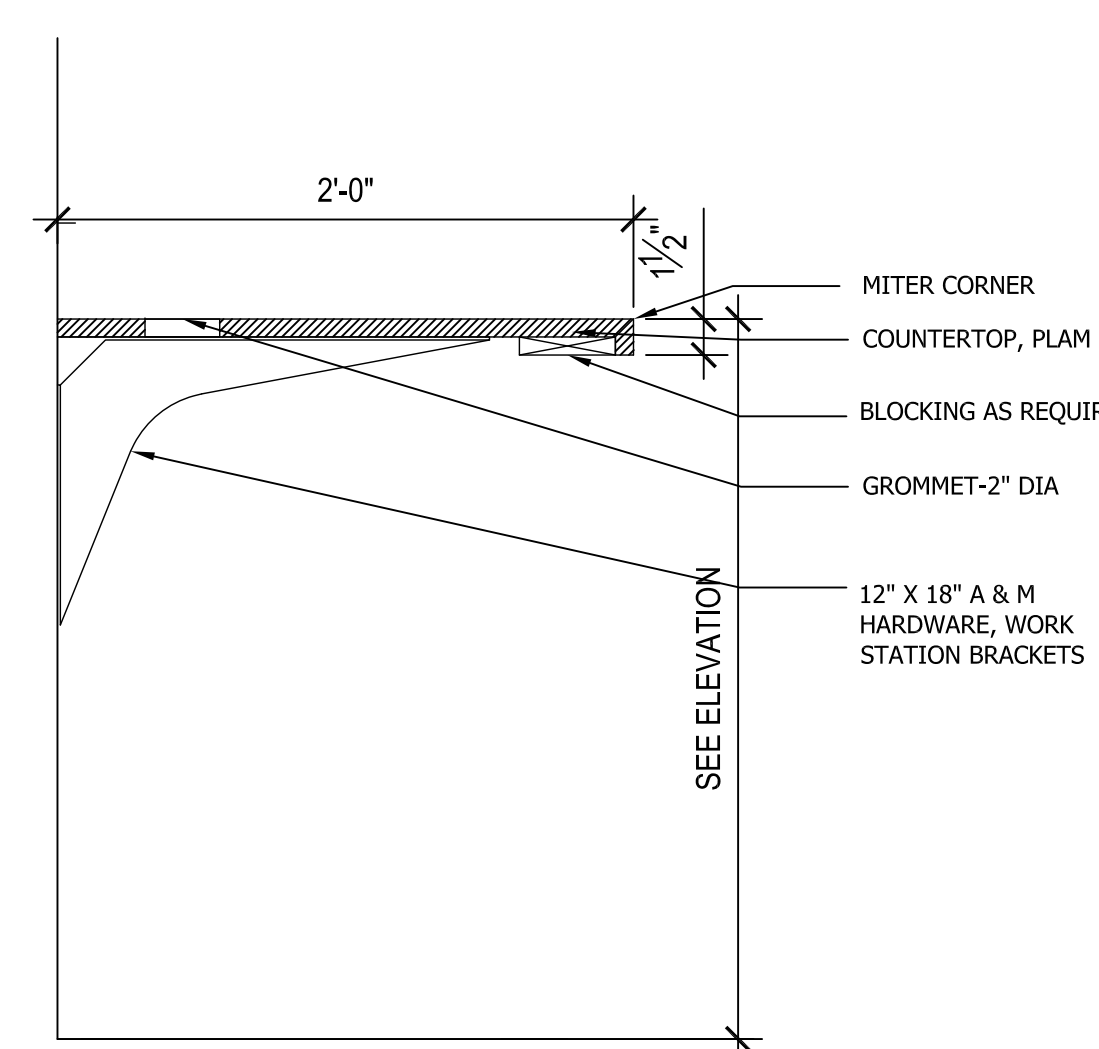
17 PASS-THROUGH  
ID12.0 SCALE: 1-1/2" = 1'-0"



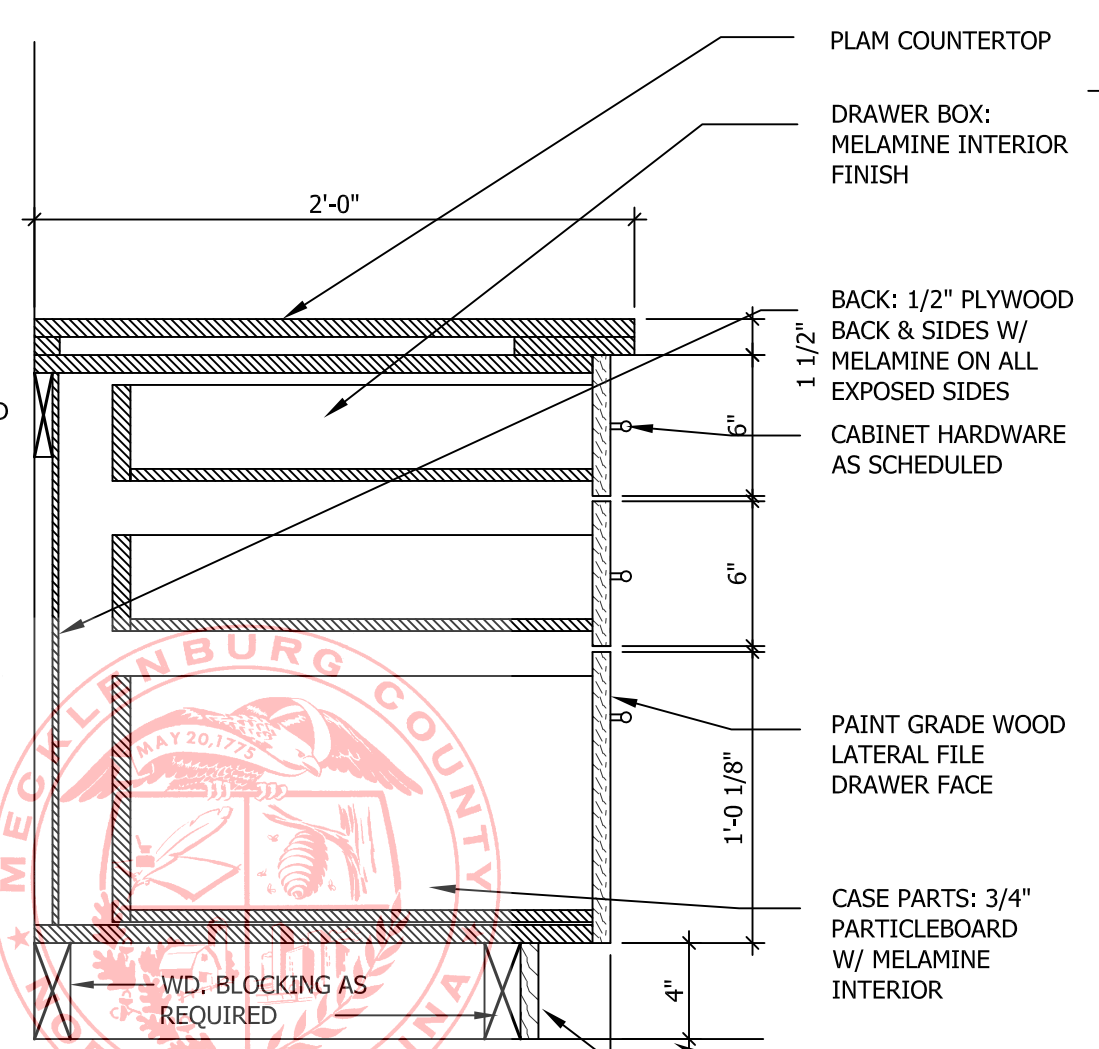
18 METAL CABINET  
ID12.0 SCALE: 1-1/2" = 1'-0"



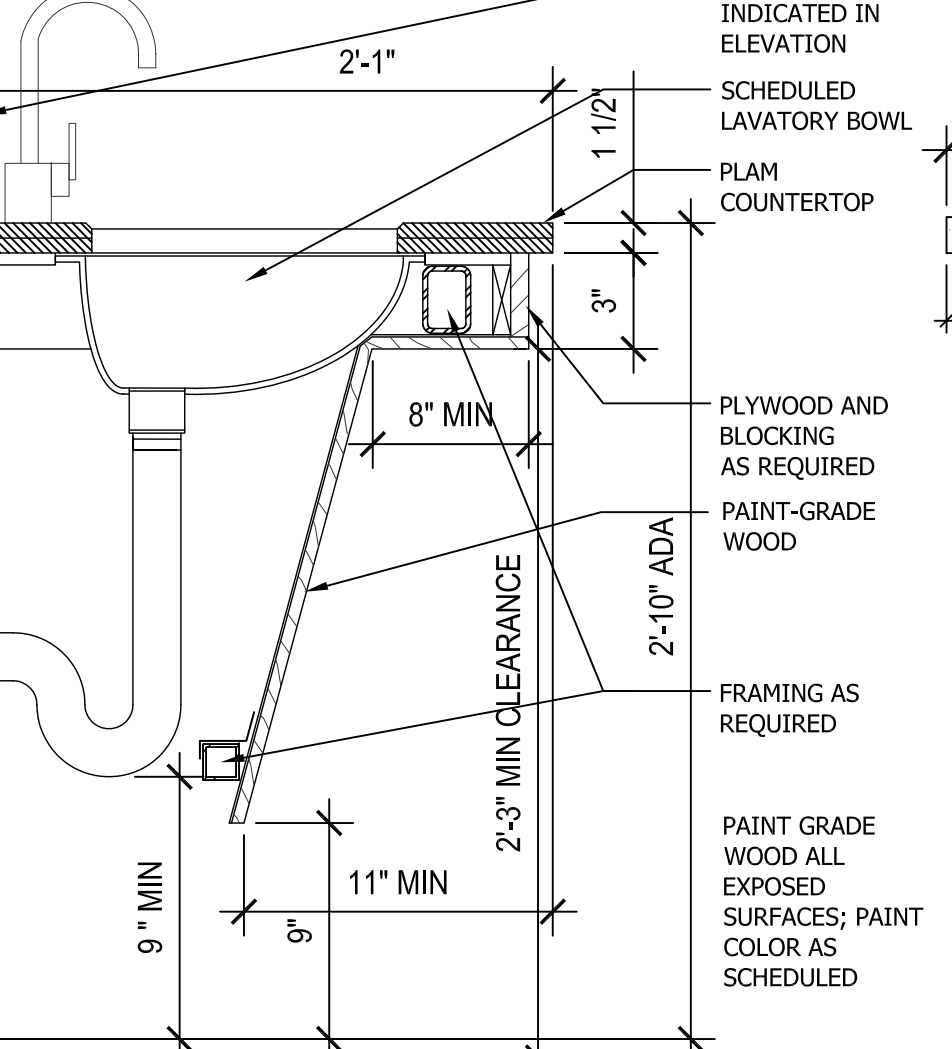
19 CABINET W/ APPLIANCE  
ID12.0 SCALE: 1-1/2" = 1'-0"



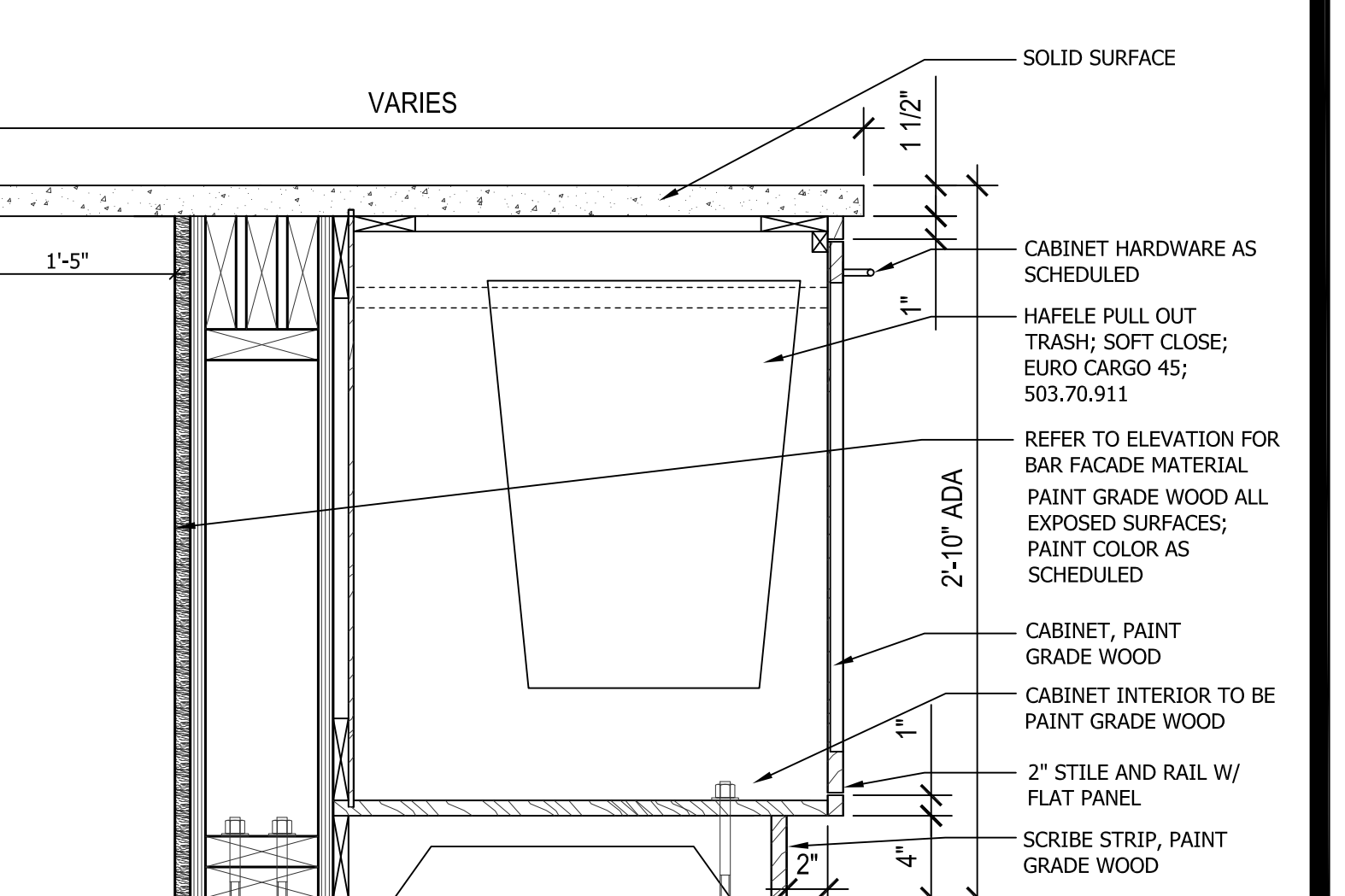
20 DESK COUNTER  
ID12.0 SCALE: 1-1/2" = 1'-0"



21 DESK DRAWER  
ID12.0 SCALE: 1-1/2" = 1'-0"



22 ADA SINK - PLAM COUNTER  
ID12.0 SCALE: 1-1/2" = 1'-0"



23 PULL OUT TRASH CABINET  
ID12.0 SCALE: 1-1/2" = 1'-0"

INTEC

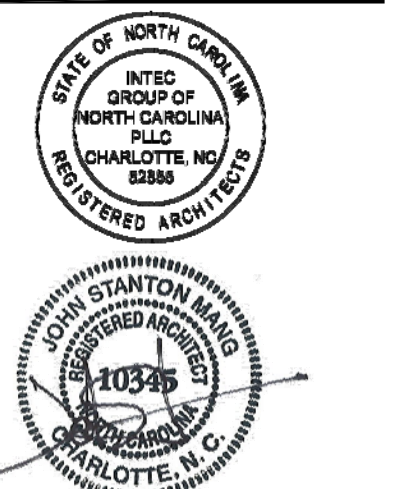
INTEC Group, Inc.  
214 W. TREMONT AVENUE  
SUITE 301  
CHARLOTTE, NC 28203  
P: 704.372.7910  
www.intecgroup.net

CRESCENT  
COMMUNITIES

PROJECT

CRESCENT PROVIDENCE FARMS  
11209 Providence Rd., Charlotte, NC 28270  
INTERIOR DESIGN

STAMP



07/07/16

DRAWING LOG

FOR CONSTRUCTION/ GMP  
07/07/16

OWNER COMMENTS  
03.08.16  
ADDENDUM 5  
04.22.16  
ADDENDUM 6  
07.07.16

SHEET INFORMATION

DATE OF DRAWING: 07/07/16  
DRAWN BY: CPD  
JOB NUMBER: 106701

DETAILS

ID12.0