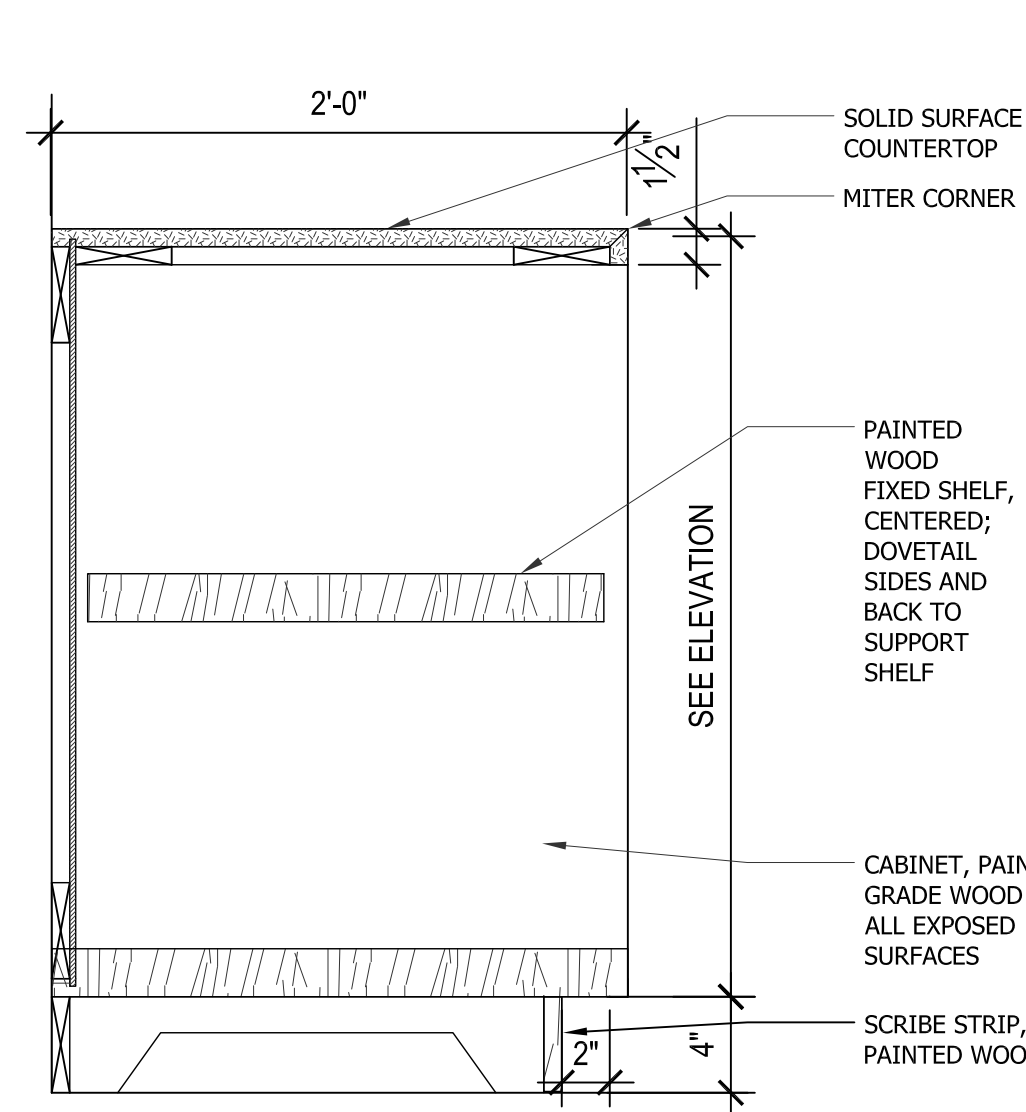
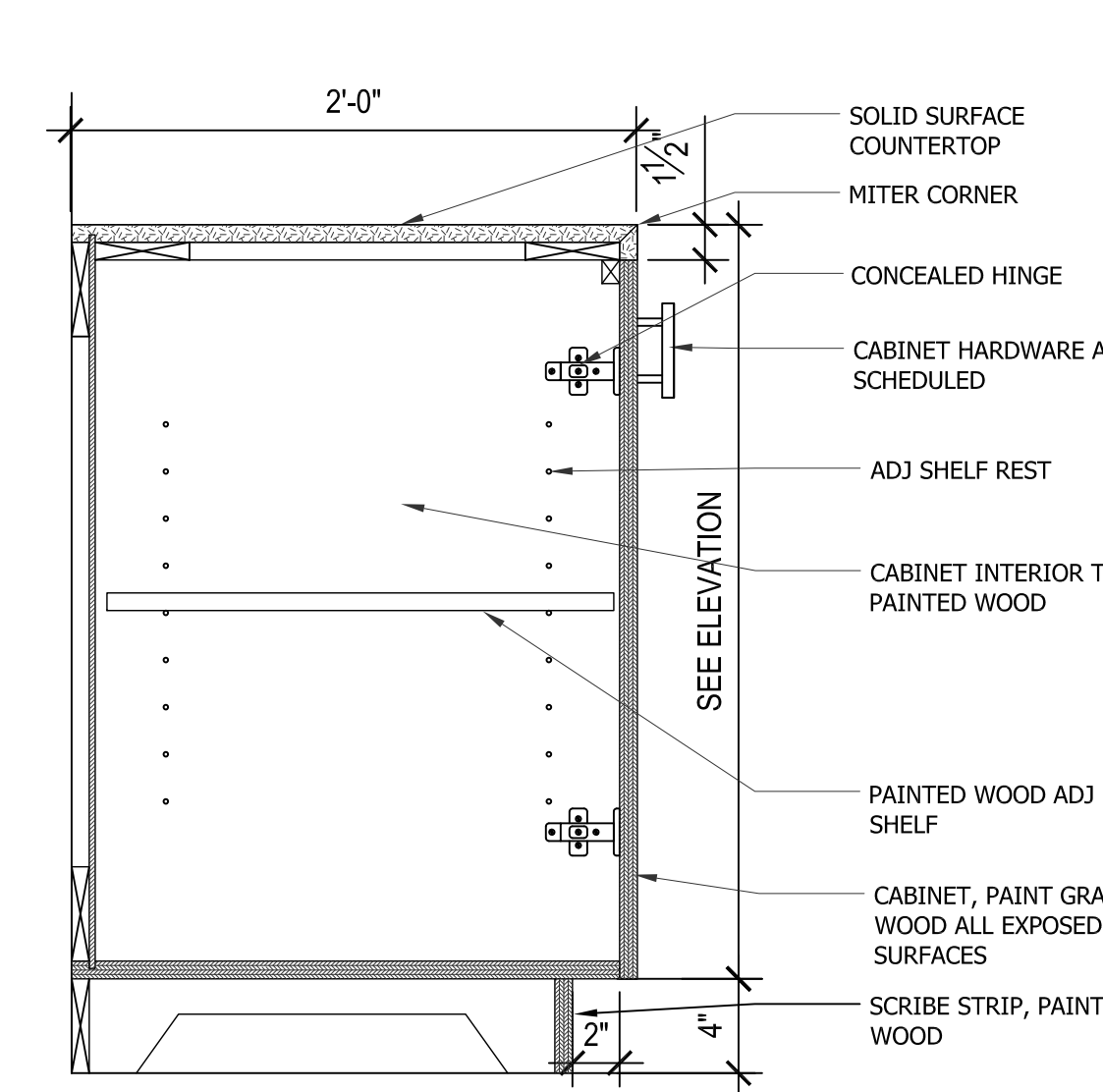


THIS DRAWING AND THE DESIGN SHOWN IS THE PROPERTY OF THE ARCHITECT AND MAY NOT BE REPRODUCED, COPIED OR USED WITHOUT WRITTEN PERMISSION. COPYRIGHT © 2014, INTEC GROUP, INC.

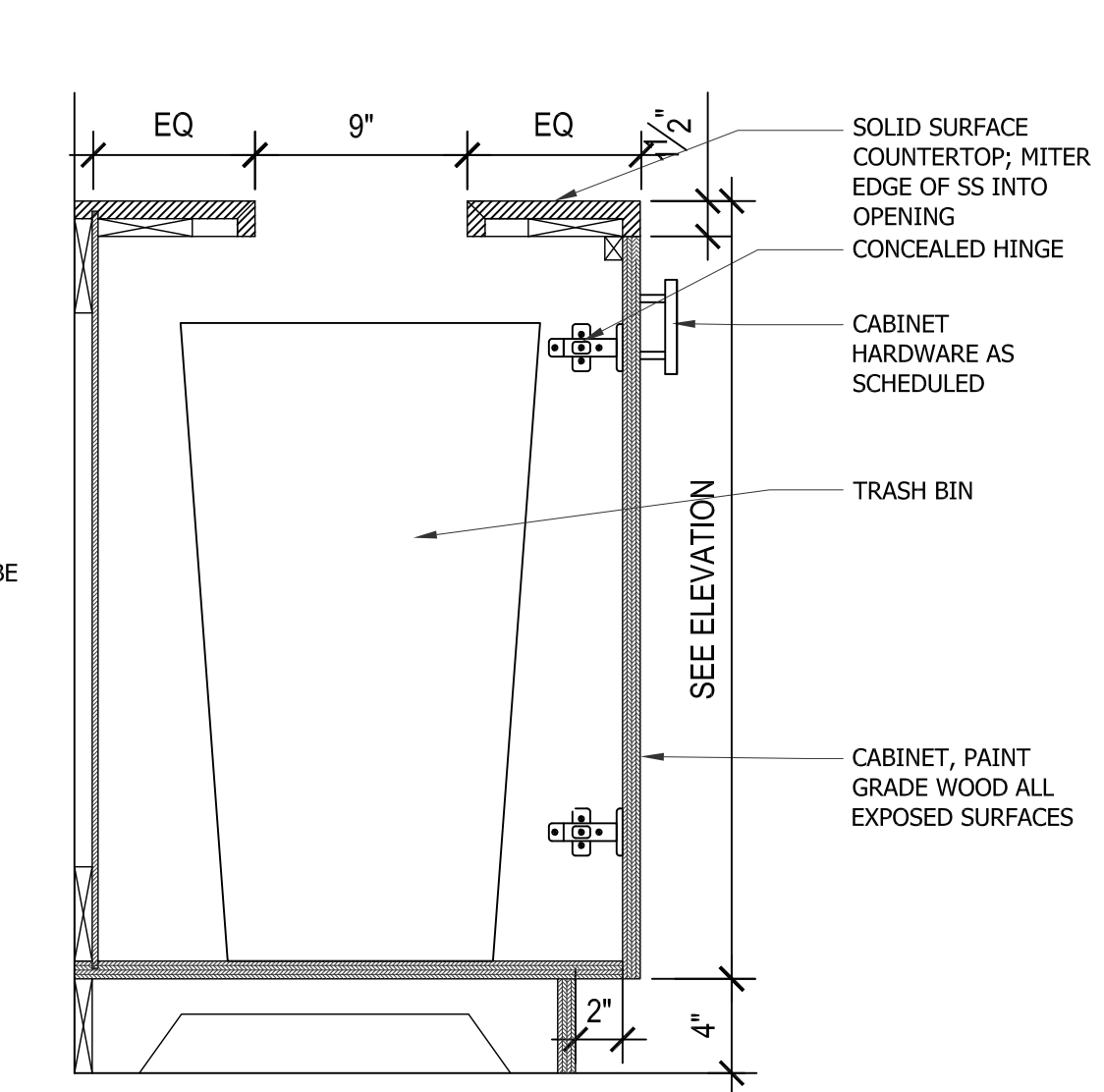
Thursday, August 04, 2016 | 1:36pm | C:\Data\1067000 Crescent Providence Farms\1067001 - Crescent Providence Farms\1067001-12.00 DETAILS_COBERT.DWG



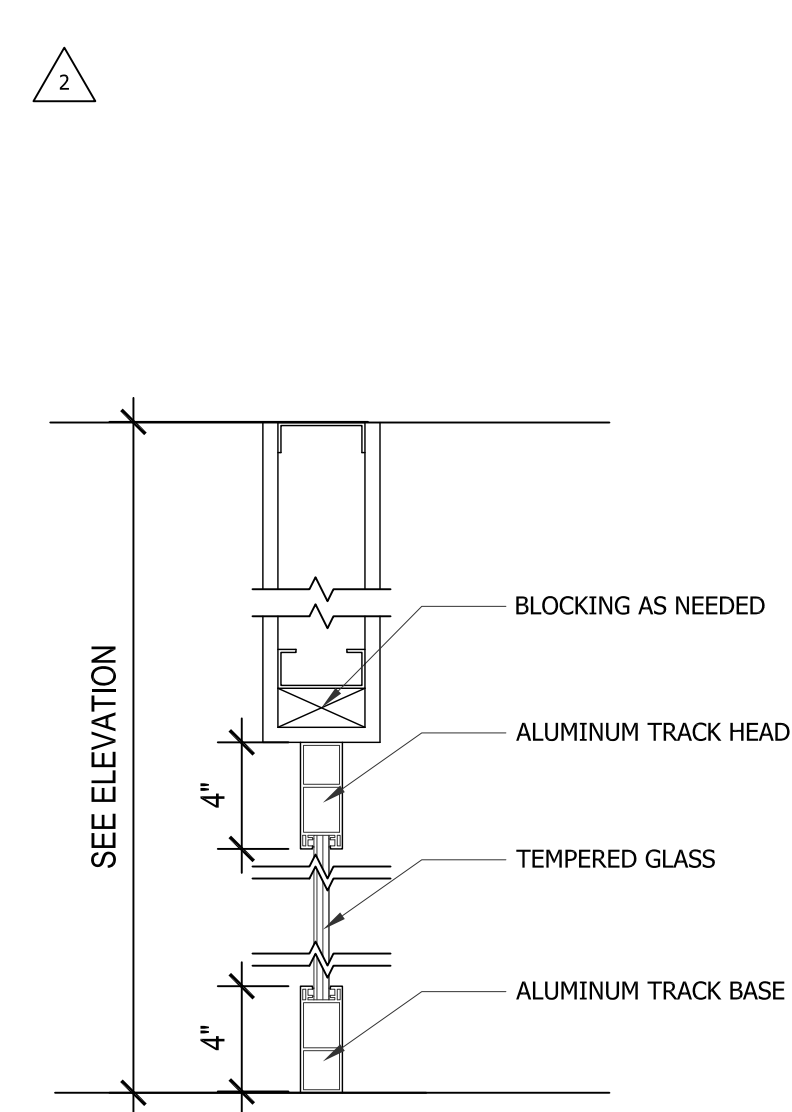
1 FITNESS OPEN SHELVING
ID12.1 SCALE: 1-1/2" = 1'-0"



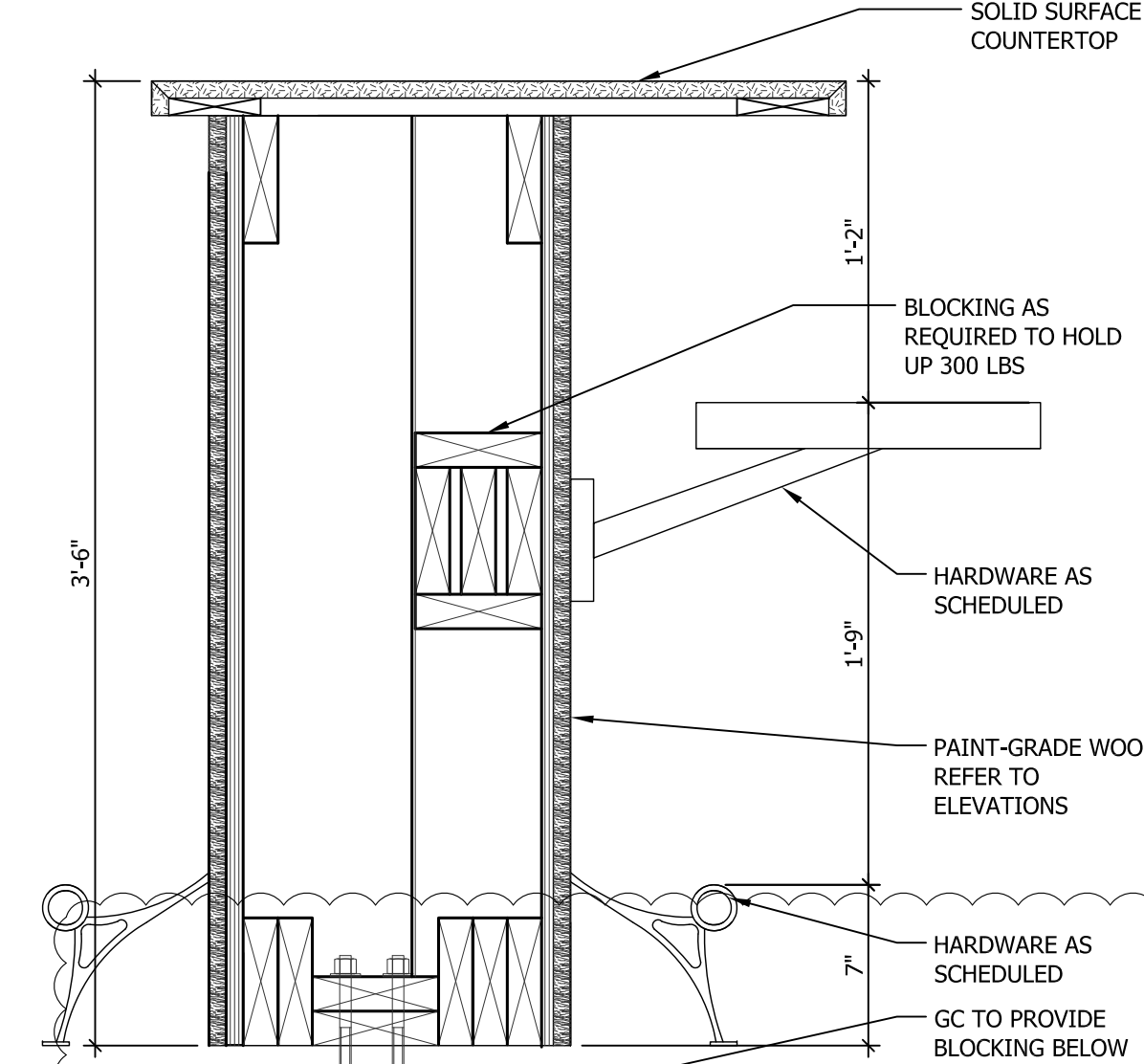
2 BASE CABINET
ID12.1 SCALE: 1-1/2" = 1'-0"



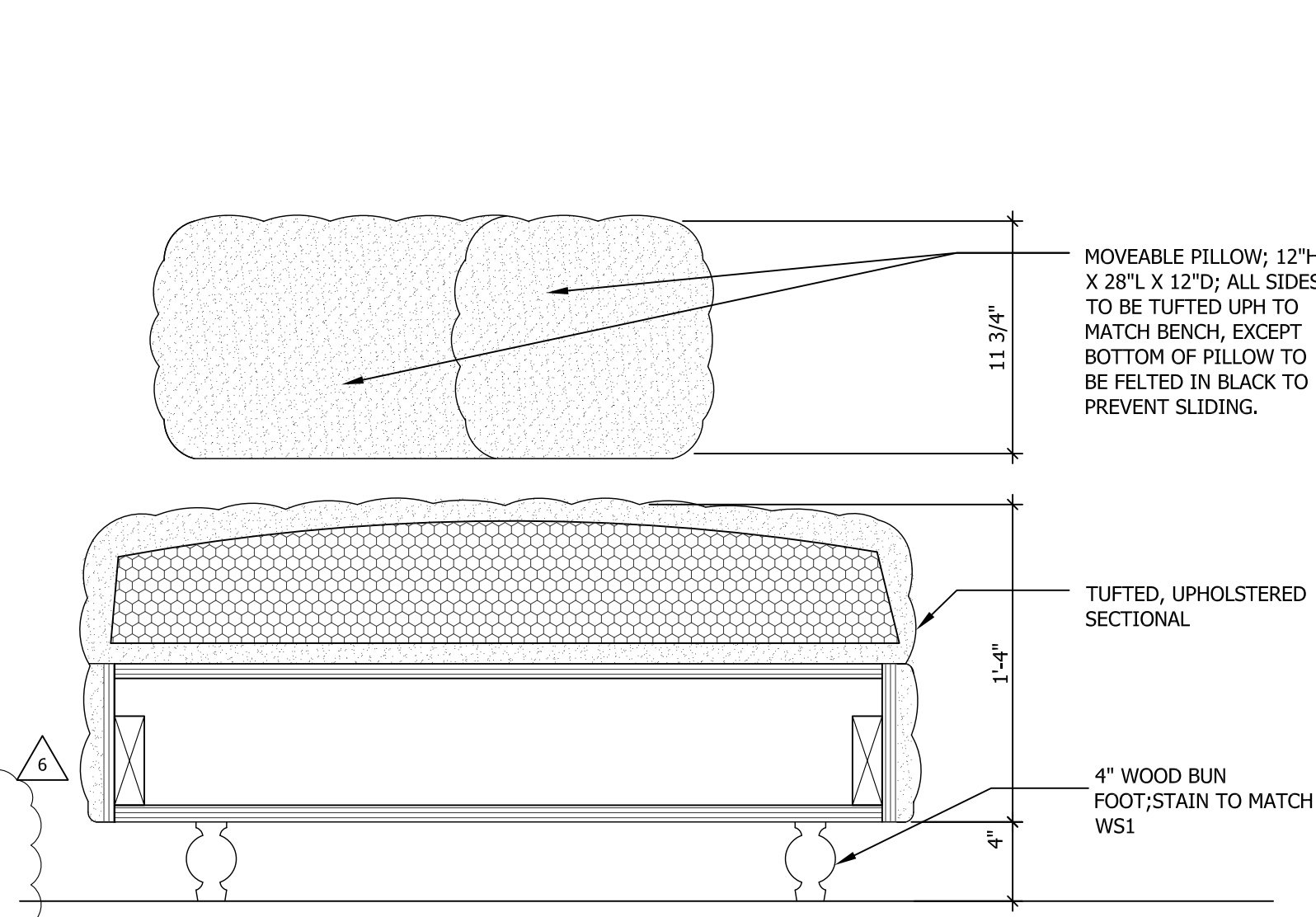
3 BASE CABINET TRASH DROP
ID12.1 SCALE: 1-1/2" = 1'-0"



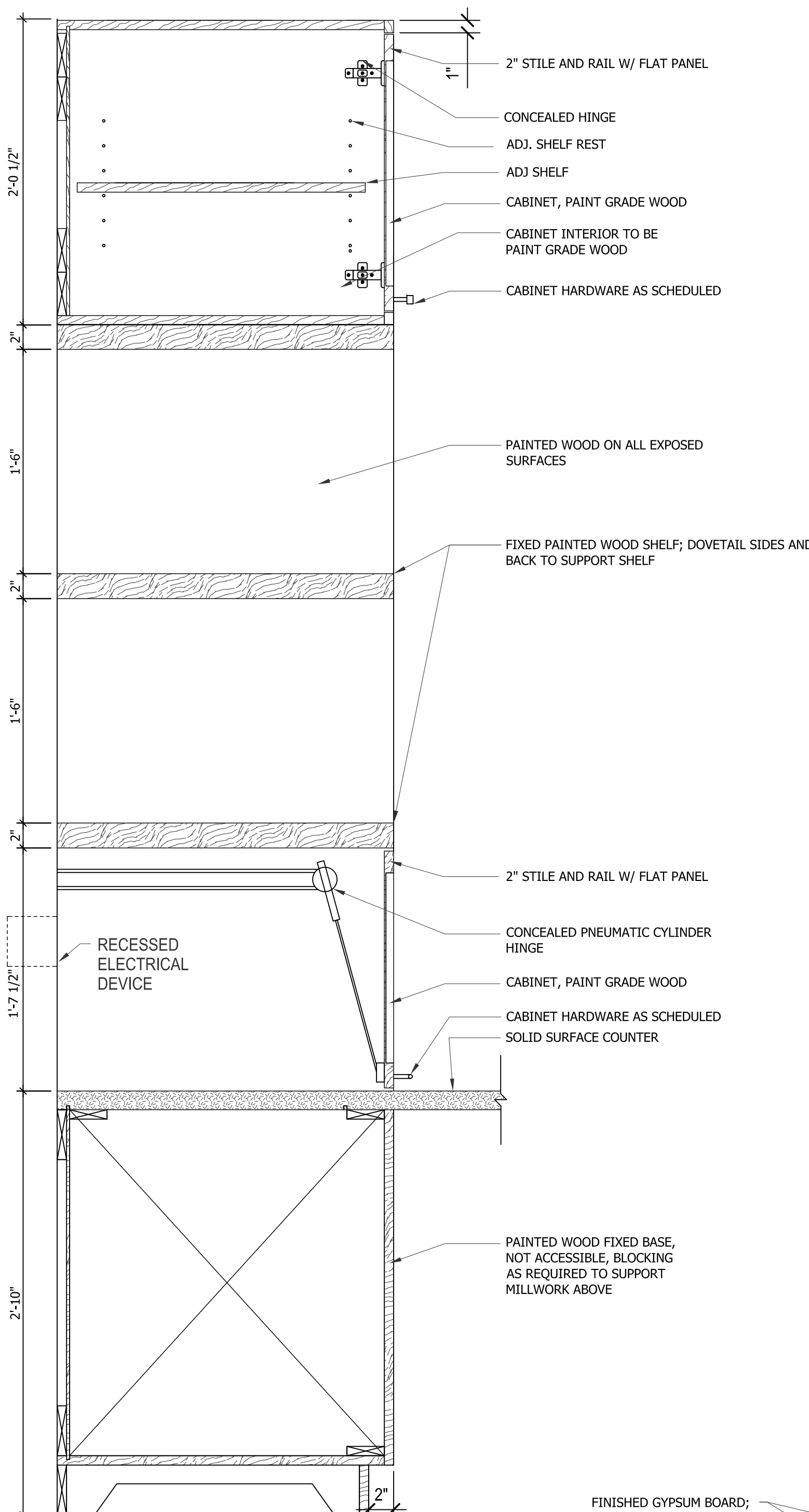
4 GLASS WALL
ID12.1 SCALE: 1-1/2" = 1'-0"



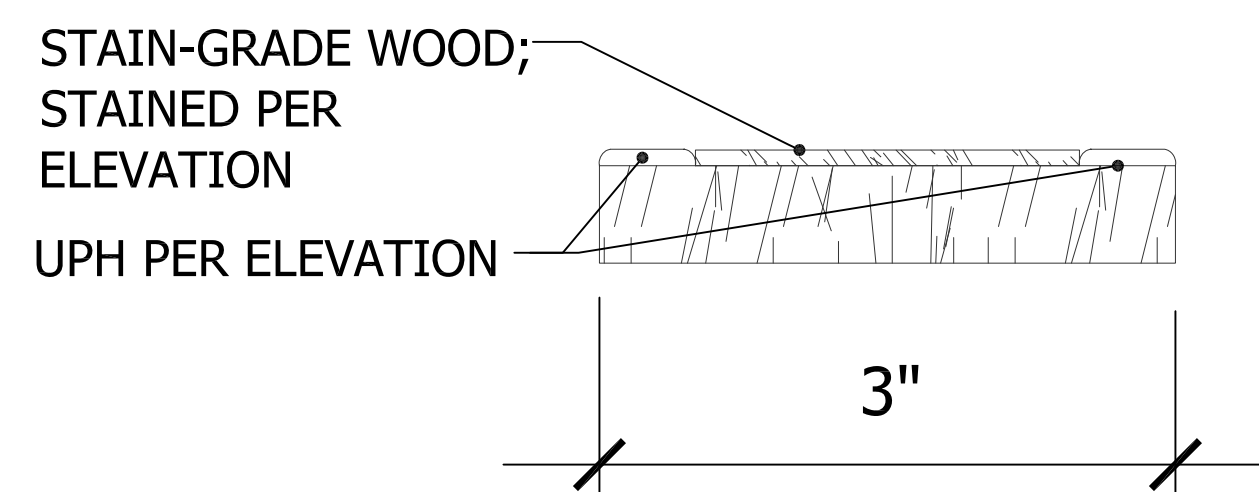
5 BAR W/ FIXED SEATING
ID12.1 SCALE: 1-1/2" = 1'-0"



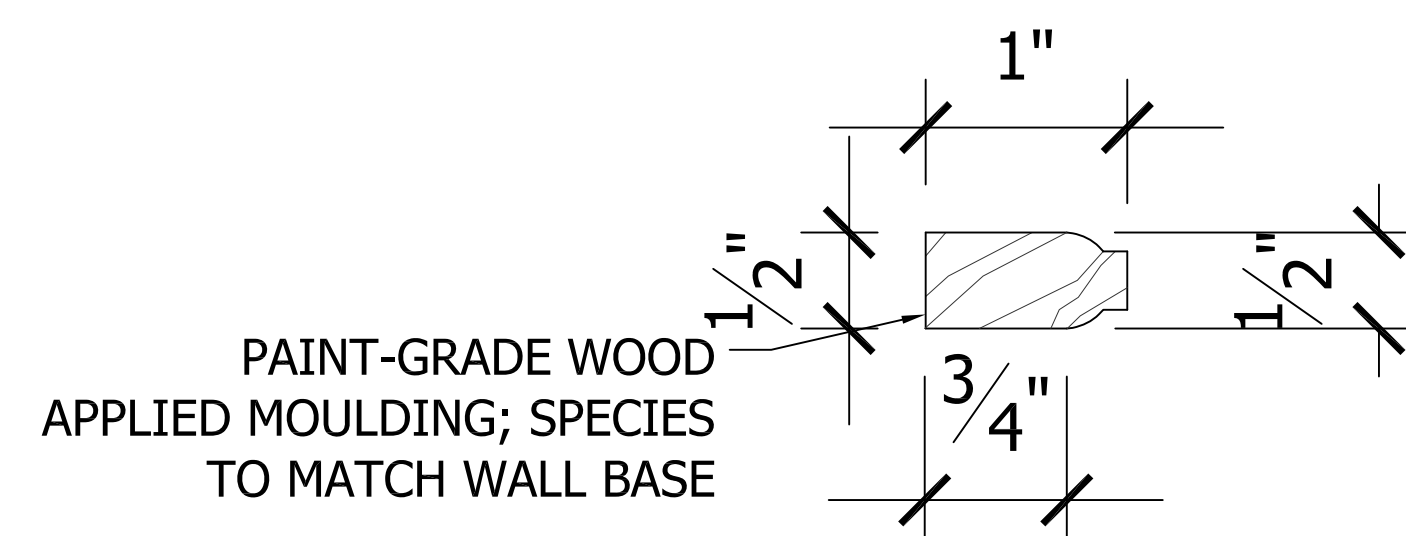
6 LOUNGE SEATING
ID12.1 SCALE: 1-1/2" = 1'-0"



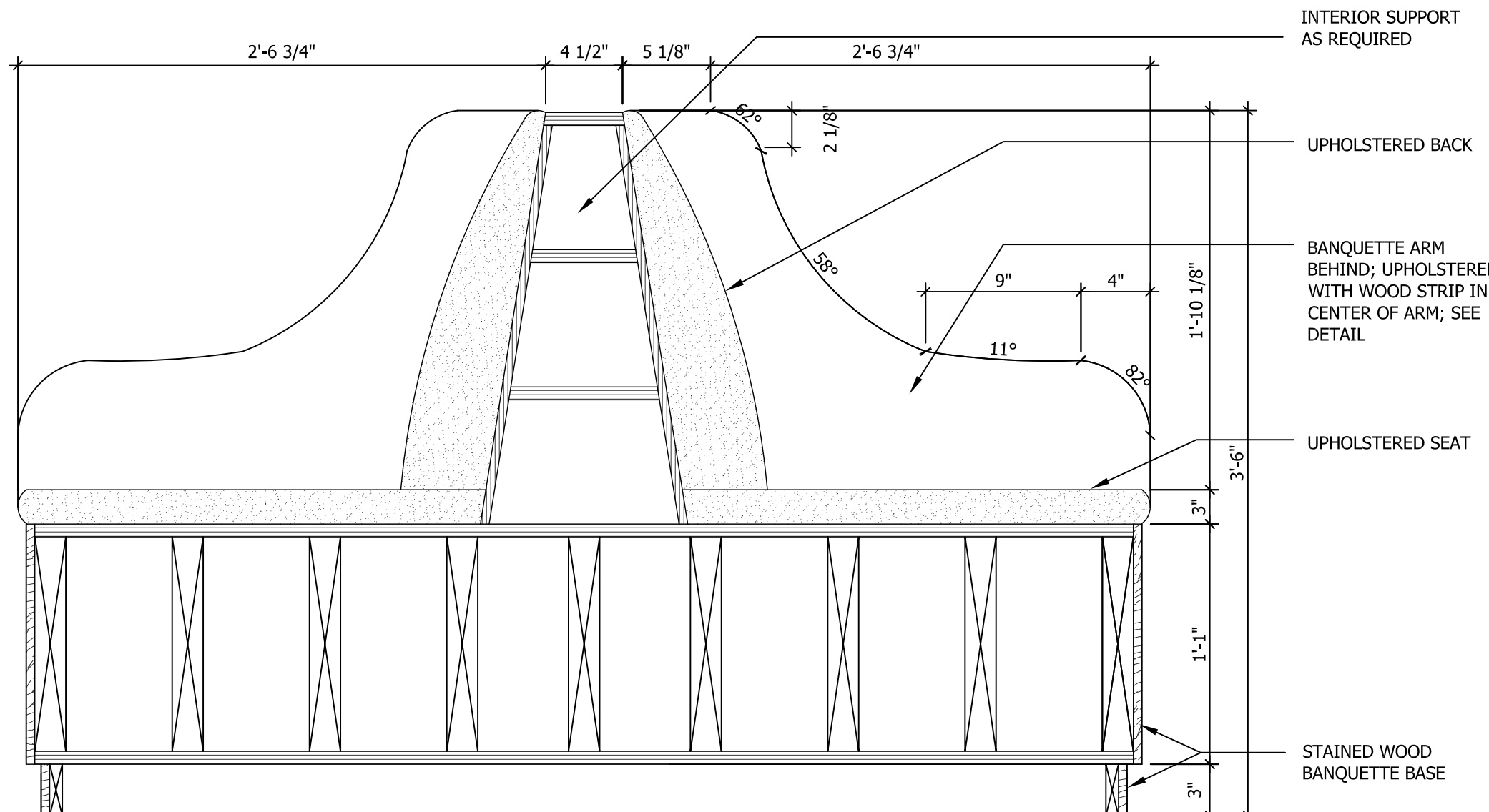
7 MEDIA CABINET
ID12.1 SCALE: 1-1/2" = 1'-0"



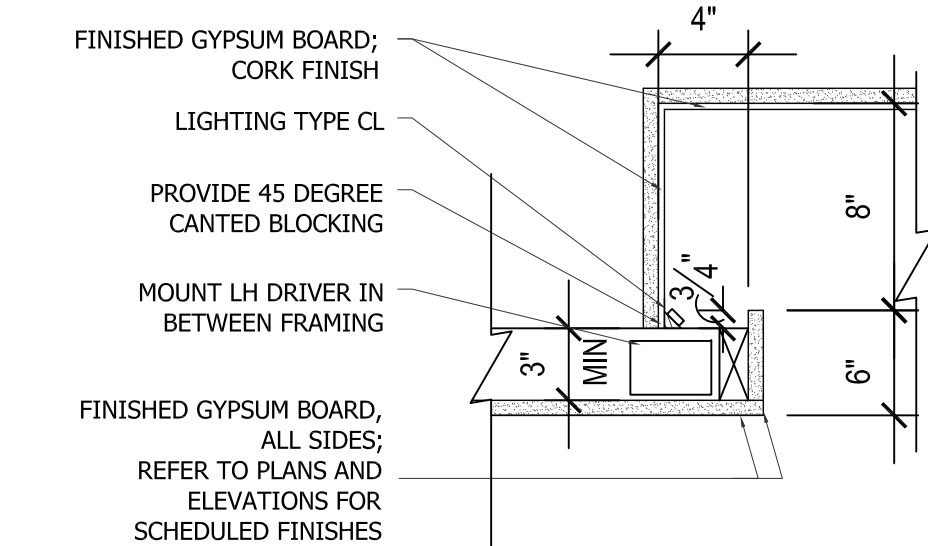
8 BANQUETTE ARM DETAIL
ID12.1 SCALE: 1'-0" = 1'-0"



9 APPLIED MOULDING
ID12.1 SCALE: 1'-0" = 1'-0"

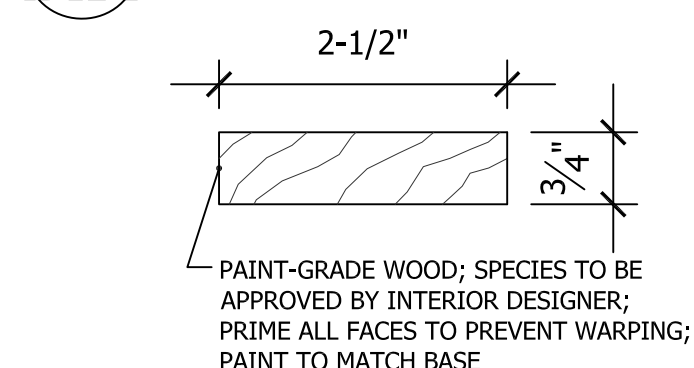


10 CLUB BANQUETTE
ID12.1 SCALE: 1-1/2" = 1'-0"

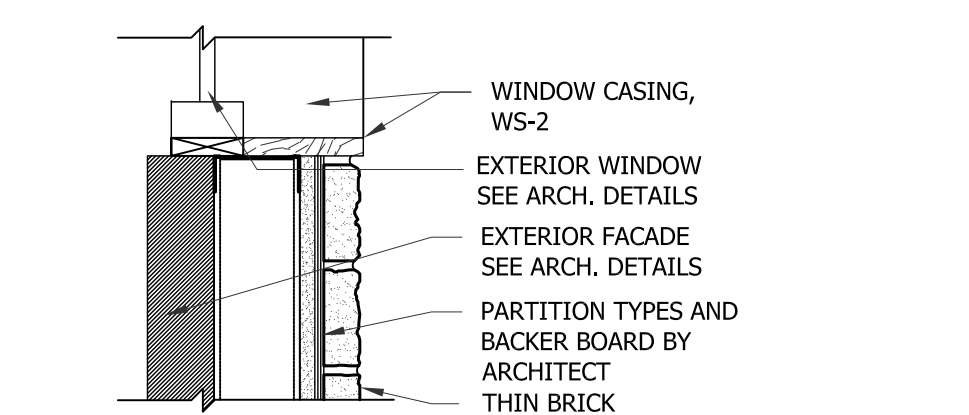


15 COVE CEILING
ID12.1 SCALE: 1-1/2" = 1'-0"

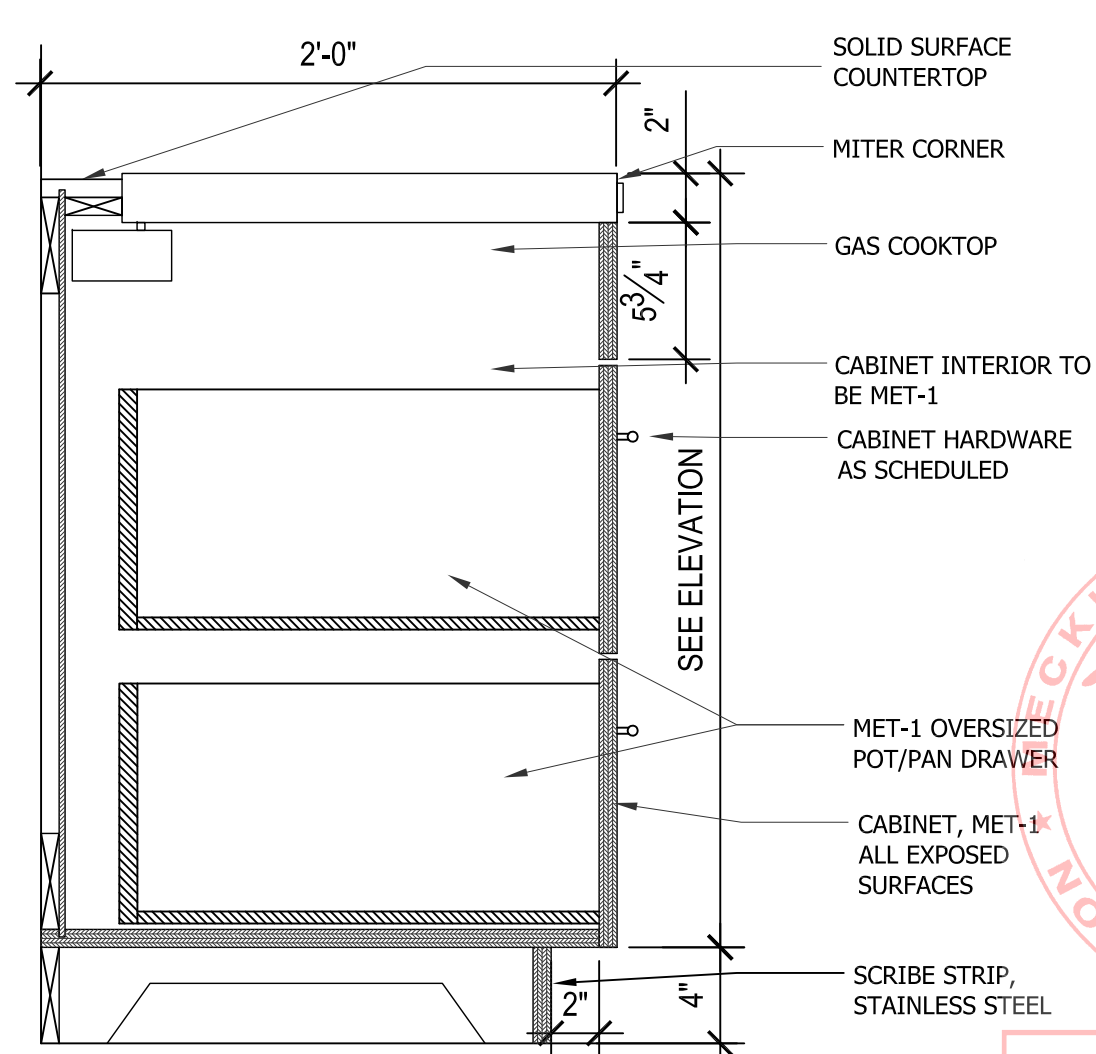
13 STAIN-GRADE DOOR CASING
ID12.1 SCALE: 6" = 1'-0"



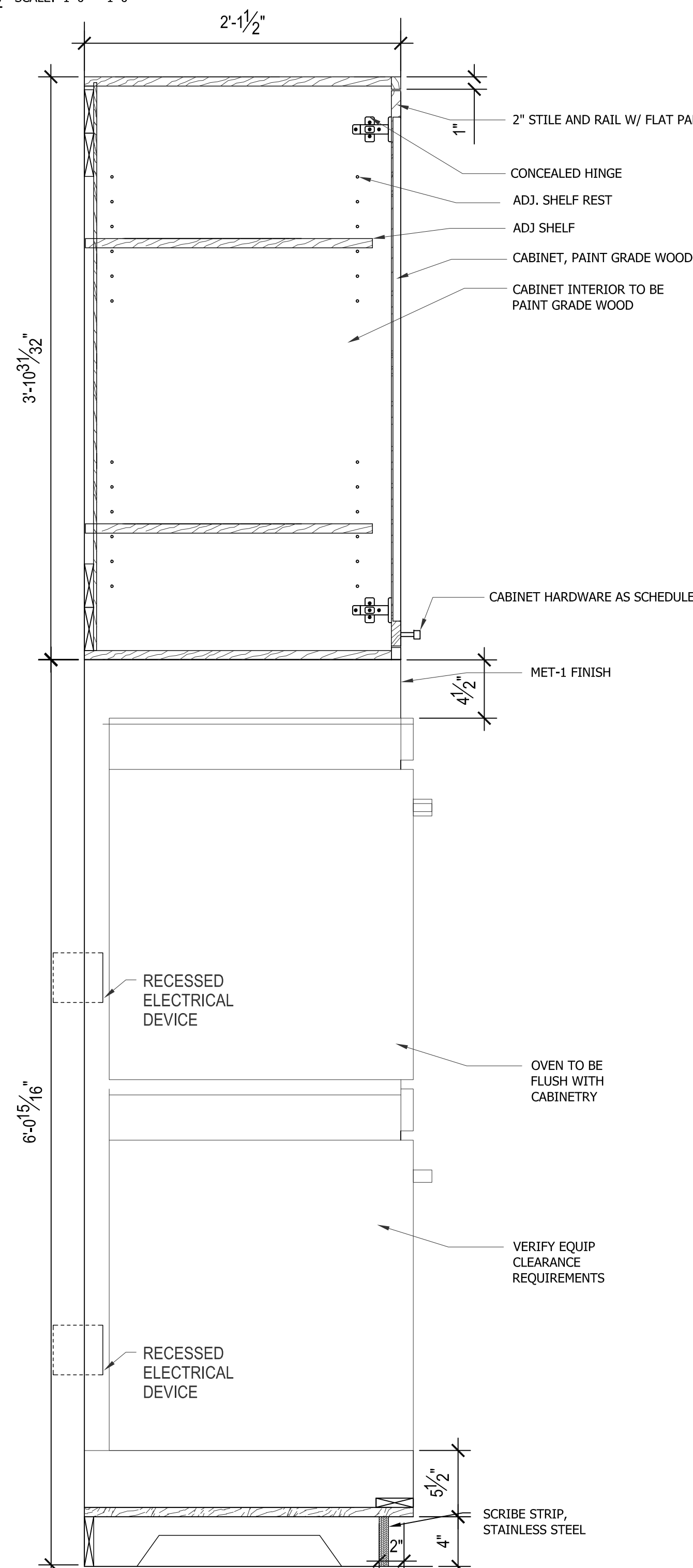
14 PAINT-GRADE DOOR CASING
ID12.1 SCALE: 6" = 1'-0"



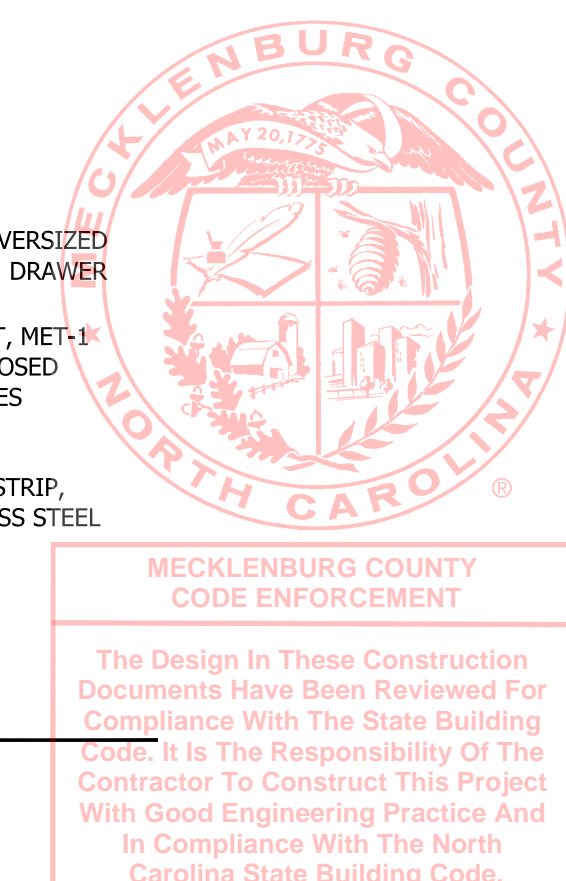
16 INT. BRICK AT WINDOW TRANSITION
ID12.1 SCALE: 1-1/2" = 1'-0"



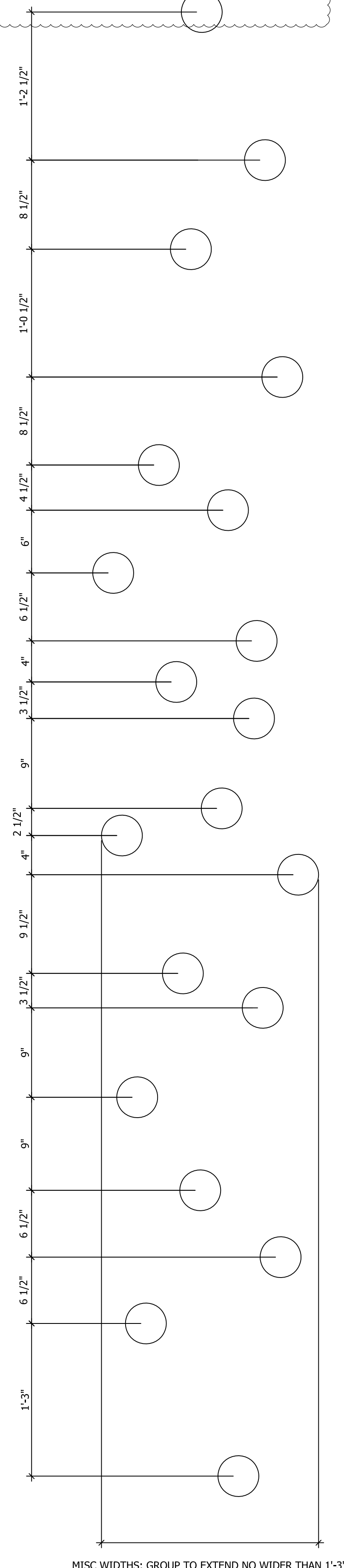
17 GAS COOKTOP BASE CABINET
ID12.1 SCALE: 1-1/2" = 1'-0"



18 KITCHEN CABINET WITH OVENS
ID12.1 SCALE: 1-1/2" = 1'-0"



The Design In These Construction Documents Have Been Reviewed For Compliance With The State Building Code. It Is The Responsibility Of The Contractor To Construct This Project With Good Engineering Practice And In Compliance With The North Carolina State Building Code.



12 BOCCI LIGHT DETAIL
ID12.1 SCALE: 1-1/2" = 1'-0"