

**DAVIS PARTNERSHIP ARCHITECTS**

2901 Blake Street, Suite 100  
Denver, CO 80205  
303.861.8555

Consultant

MEP PROJECT #16126  
DESIGNED BY: [initials] CHECKED BY: [initials]



**MEP ENGINEERING INC.**  
8462 S. Troy Circle, Suite 100 (W) 303.938.3333  
Centennial, CO 80111 (P) 303.934.3299  
info@mep-eng.com www.mep-eng.com

**PROGRESS PRINTS**  
NOT FOR CONSTRUCTION  
06/20/16 09:14 AM

Issuance Date

SCHEMATIC DESIGN 06/02/16

Revisions Date No.

Project Information

**CRESCENT RIO**  
700 WEST 1ST STREET TEMPE, AZ 85281

Sheet Information

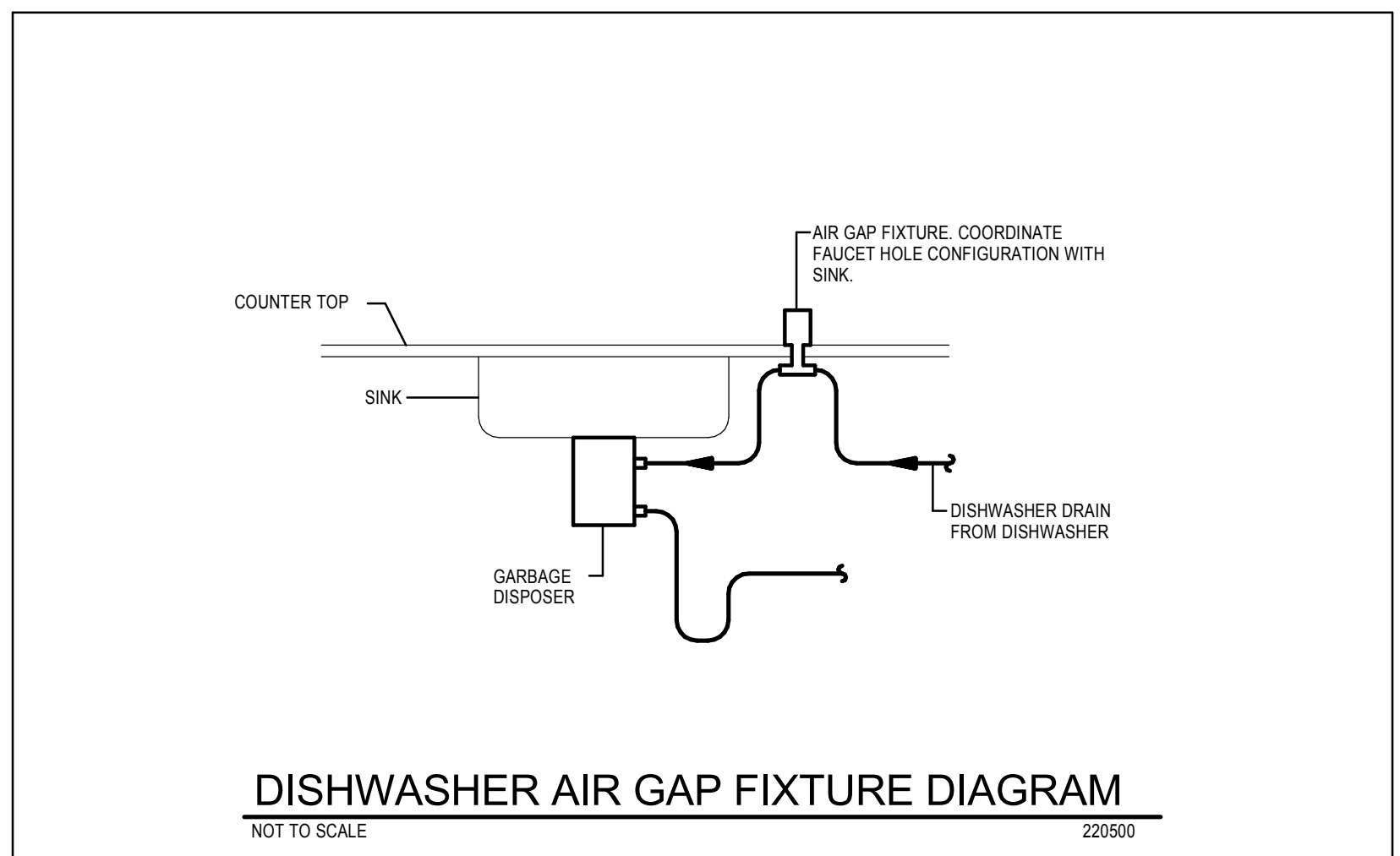
Sheet Title:

**PLUMBING DIAGRAMS**

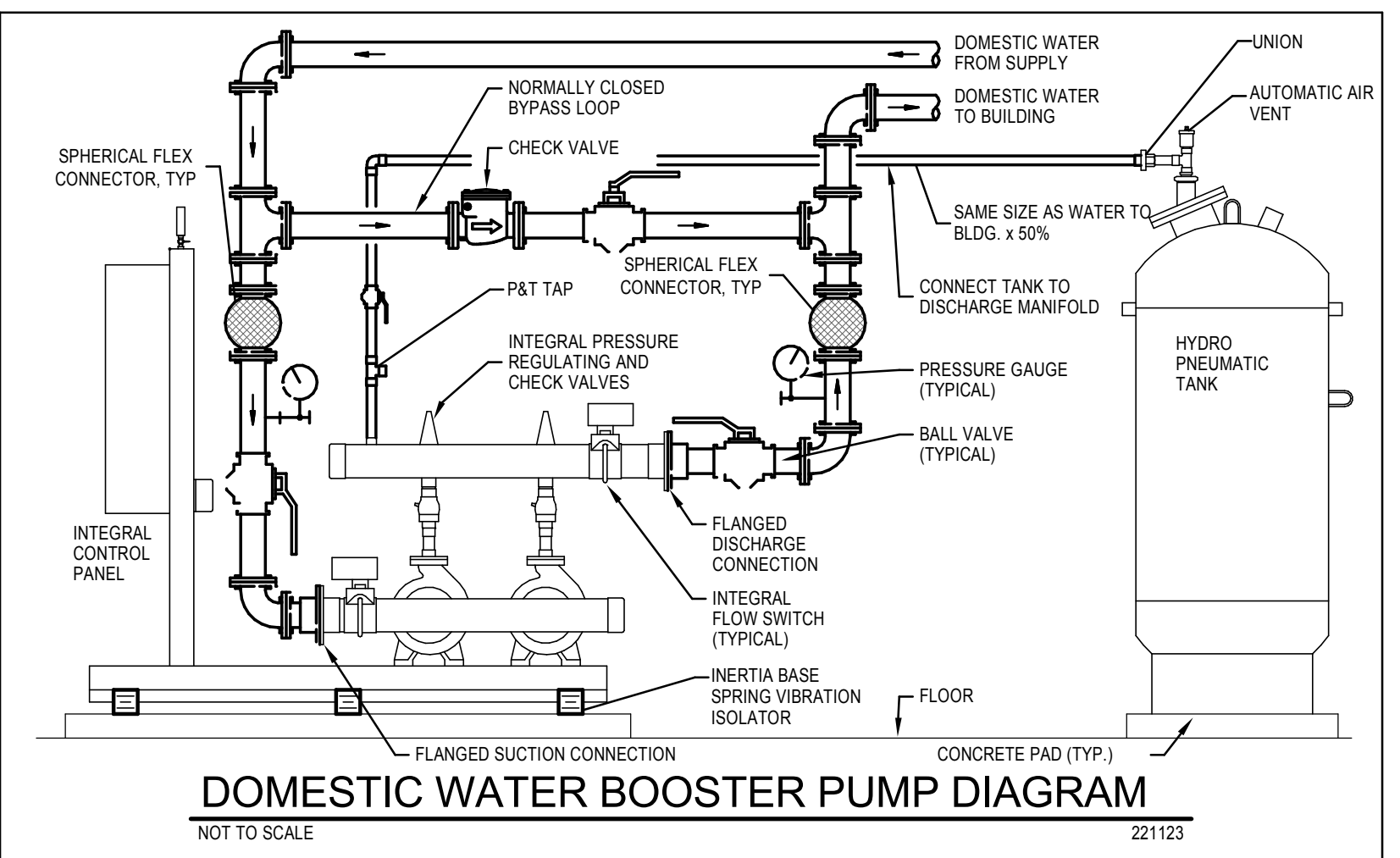
Sheet Number:

**P0.01**

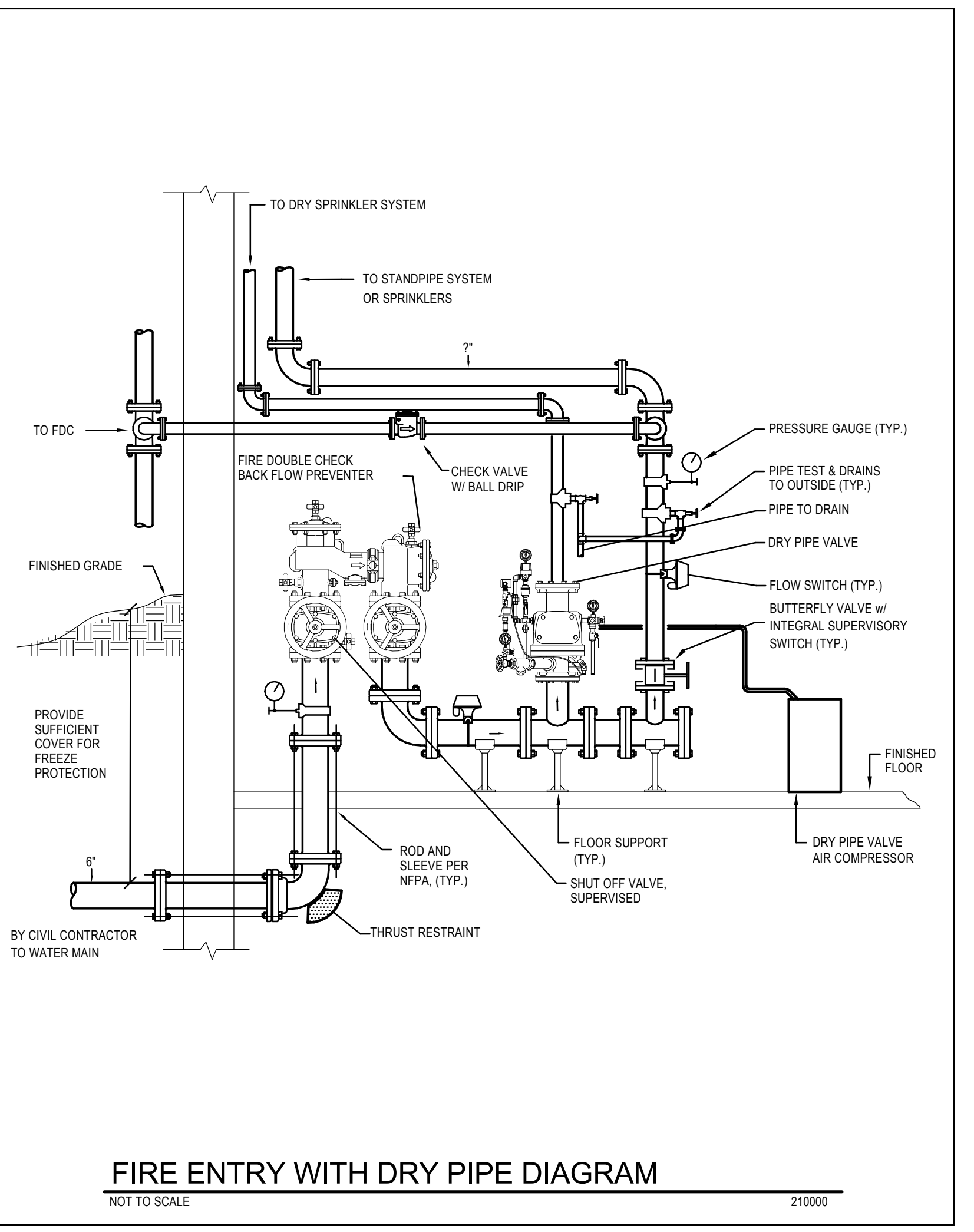
MEP Project: 16504.00



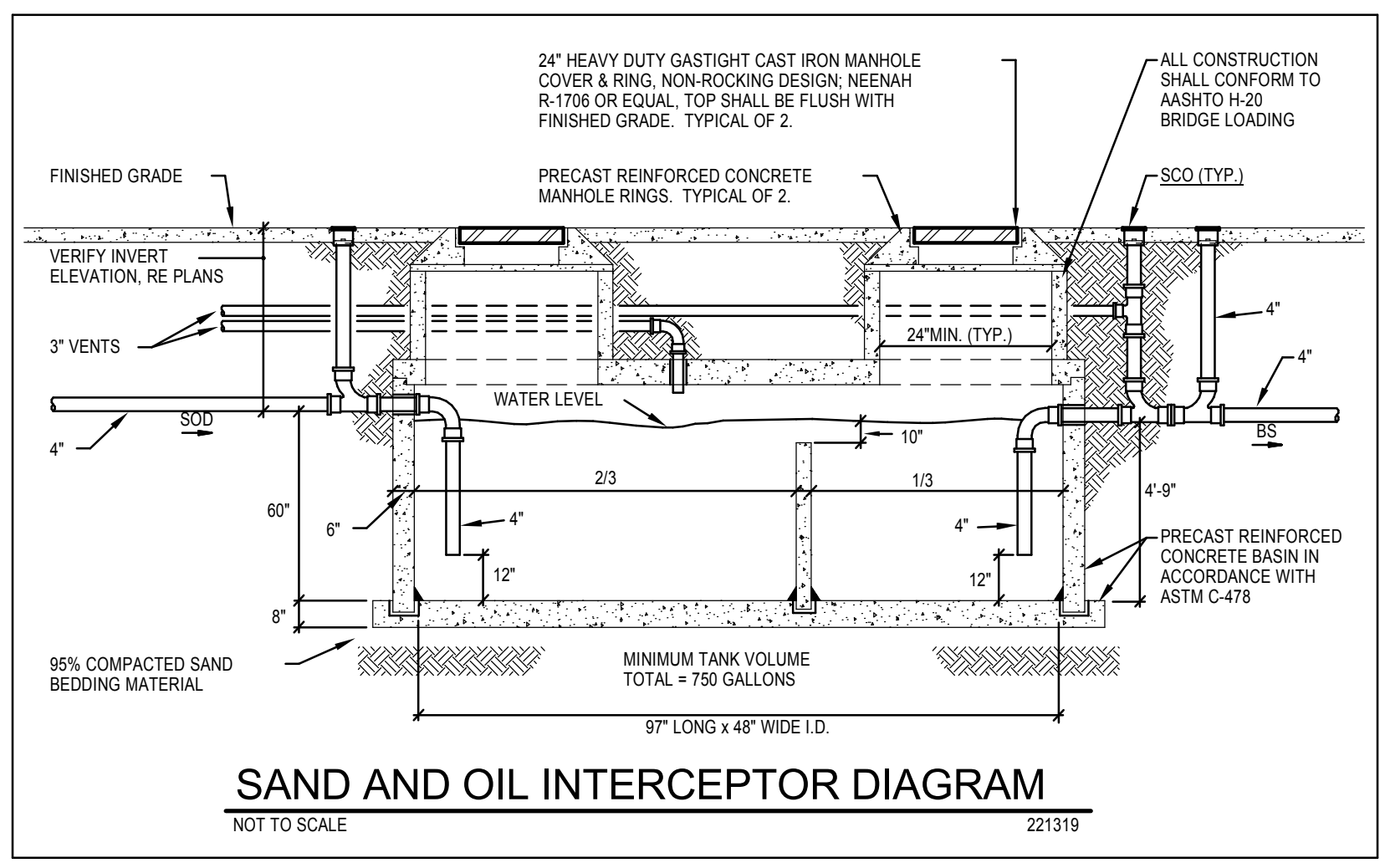
**DISHWASHER AIR GAP FIXTURE DIAGRAM**  
NOT TO SCALE 220500



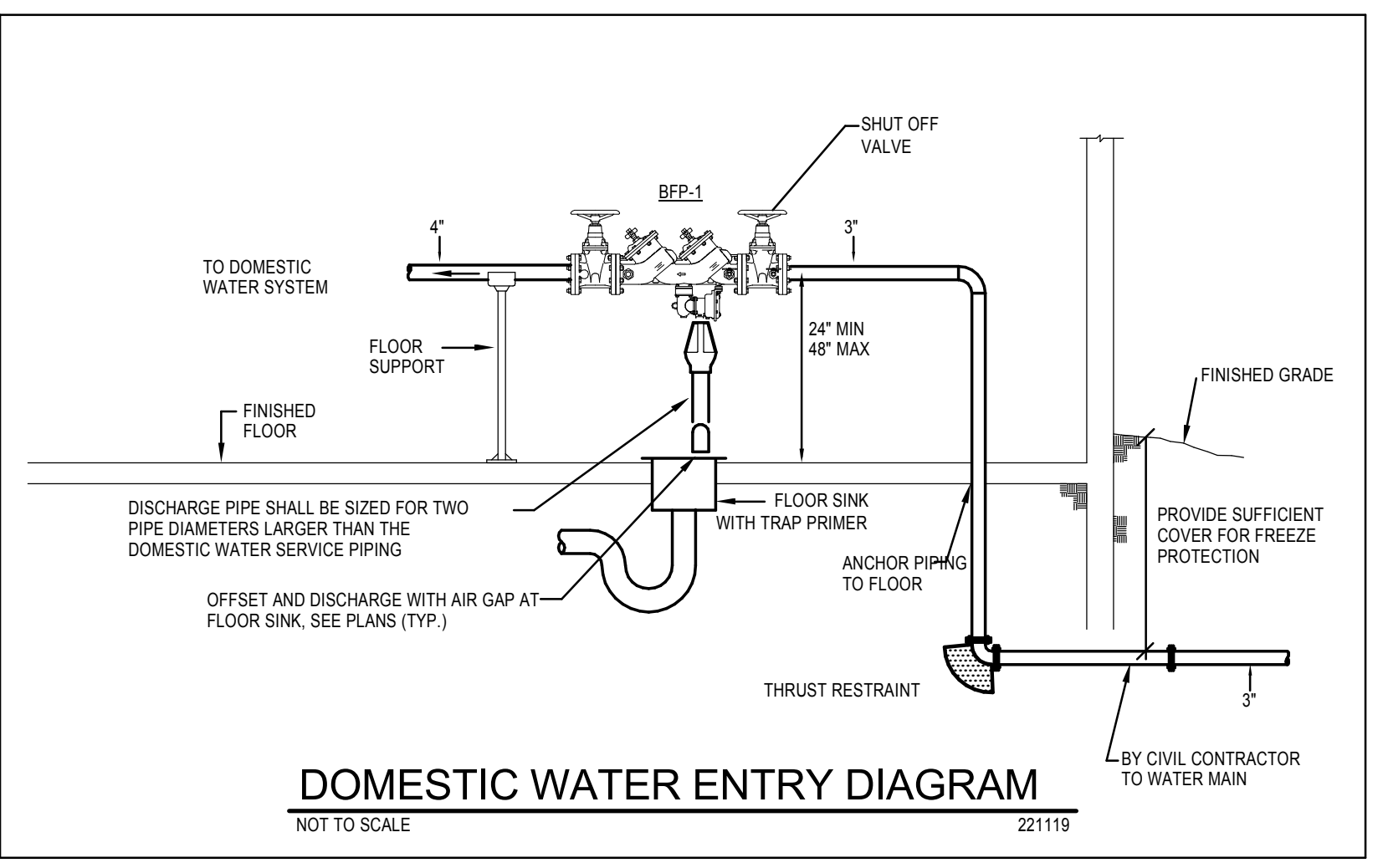
**DOMESTIC WATER BOOSTER PUMP DIAGRAM**  
NOT TO SCALE 221123



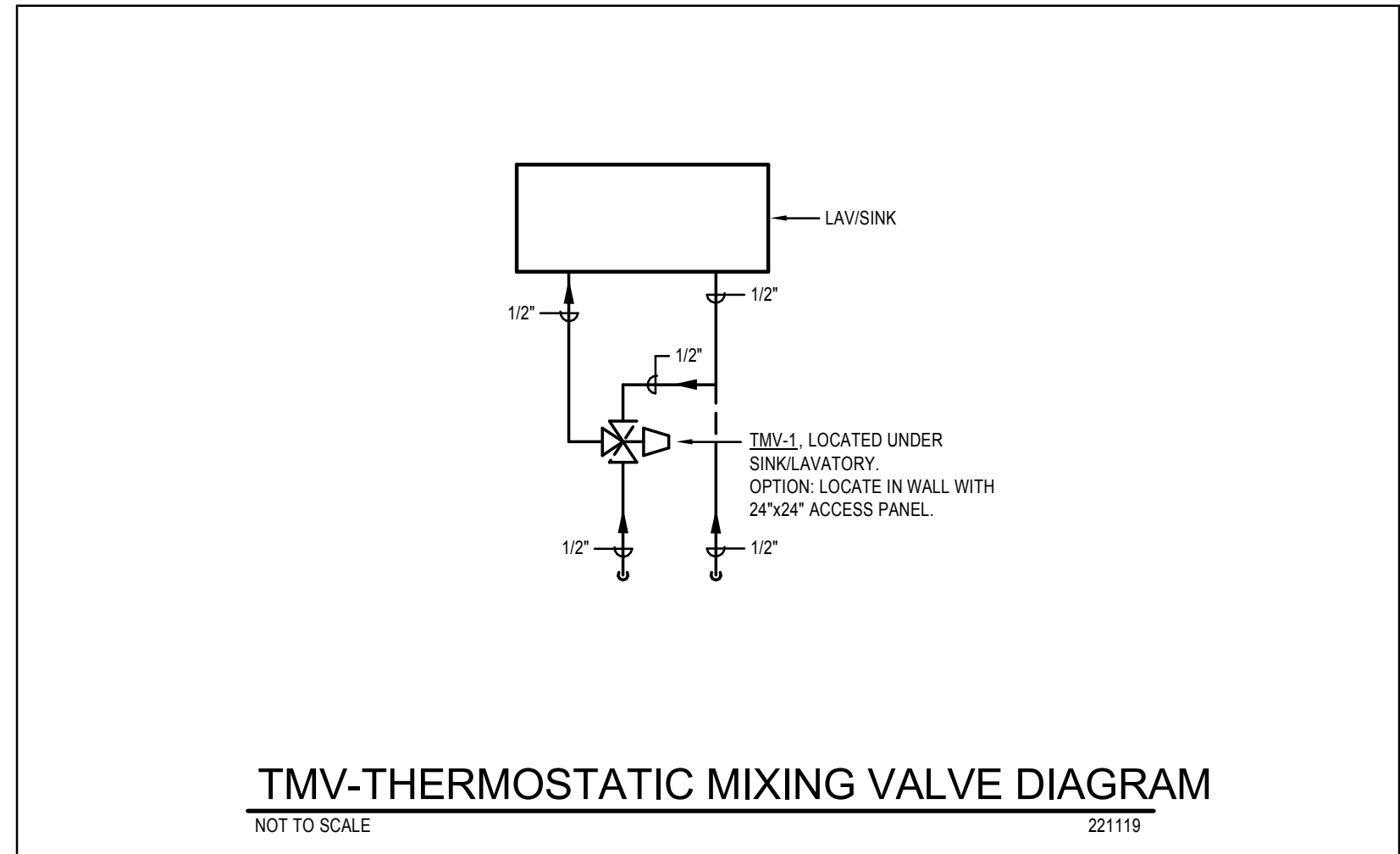
**FIRE ENTRY WITH DRY PIPE DIAGRAM**  
NOT TO SCALE 210000



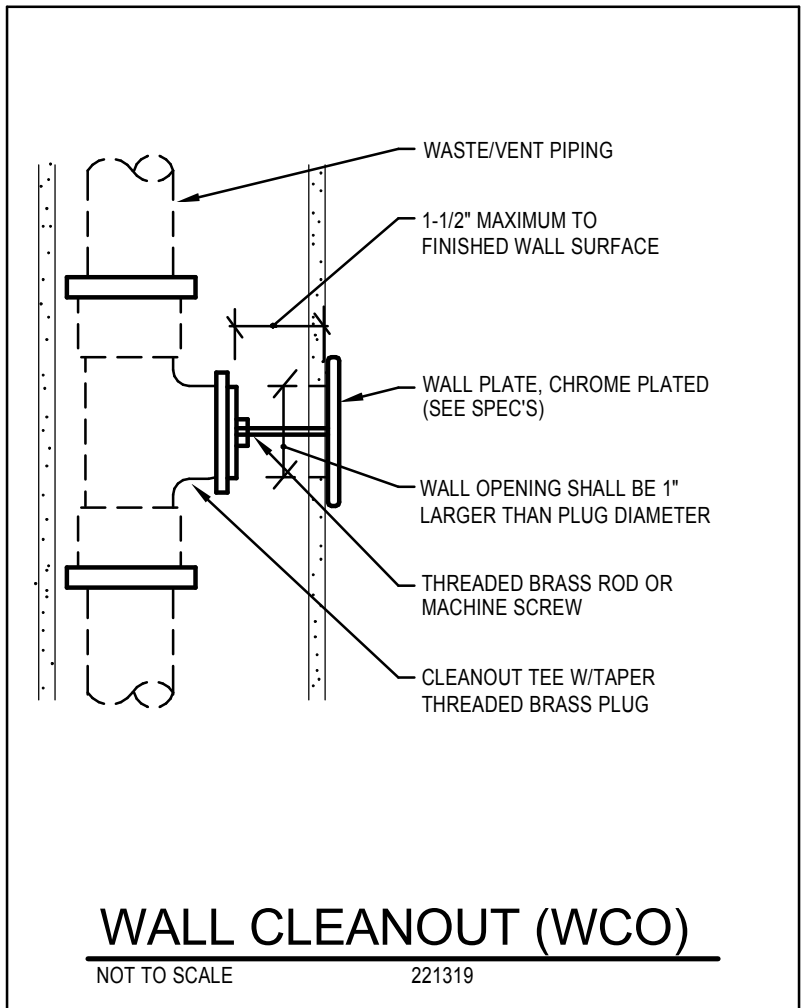
**SAND AND OIL INTERCEPTOR DIAGRAM**  
NOT TO SCALE 221319



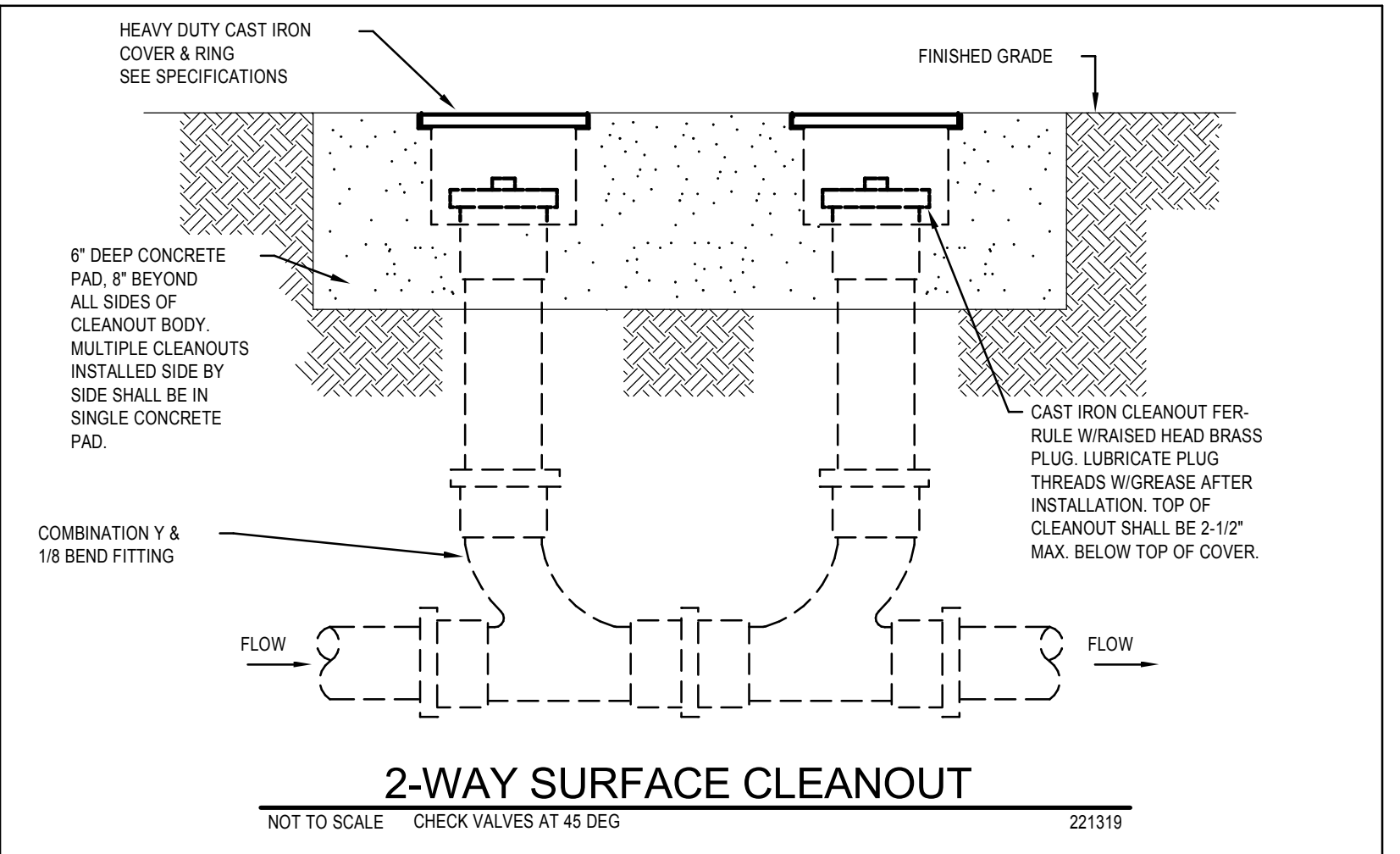
**DOMESTIC WATER ENTRY DIAGRAM**  
NOT TO SCALE 221119



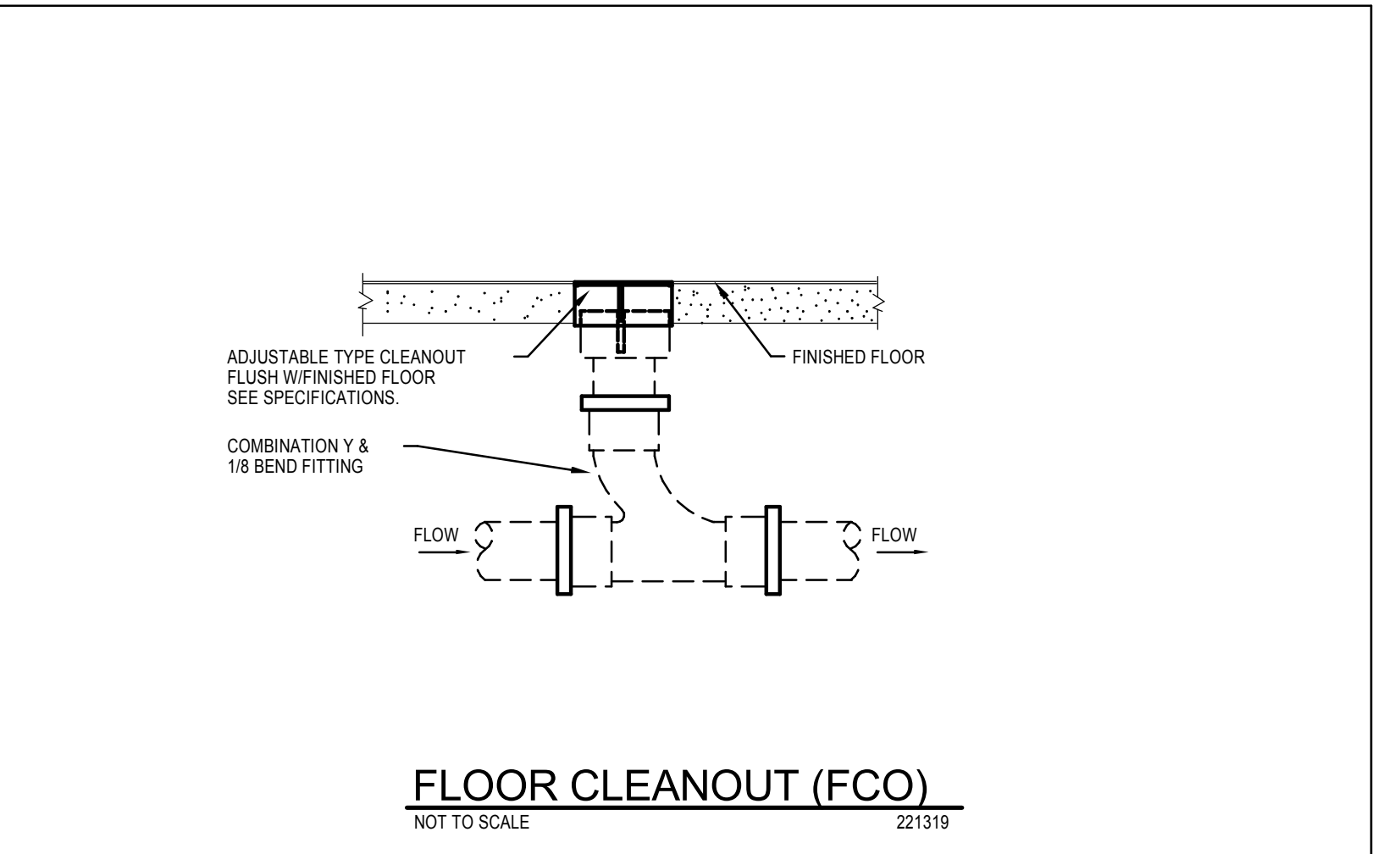
**TMV-THERMOSTATIC MIXING VALVE DIAGRAM**  
NOT TO SCALE 221119



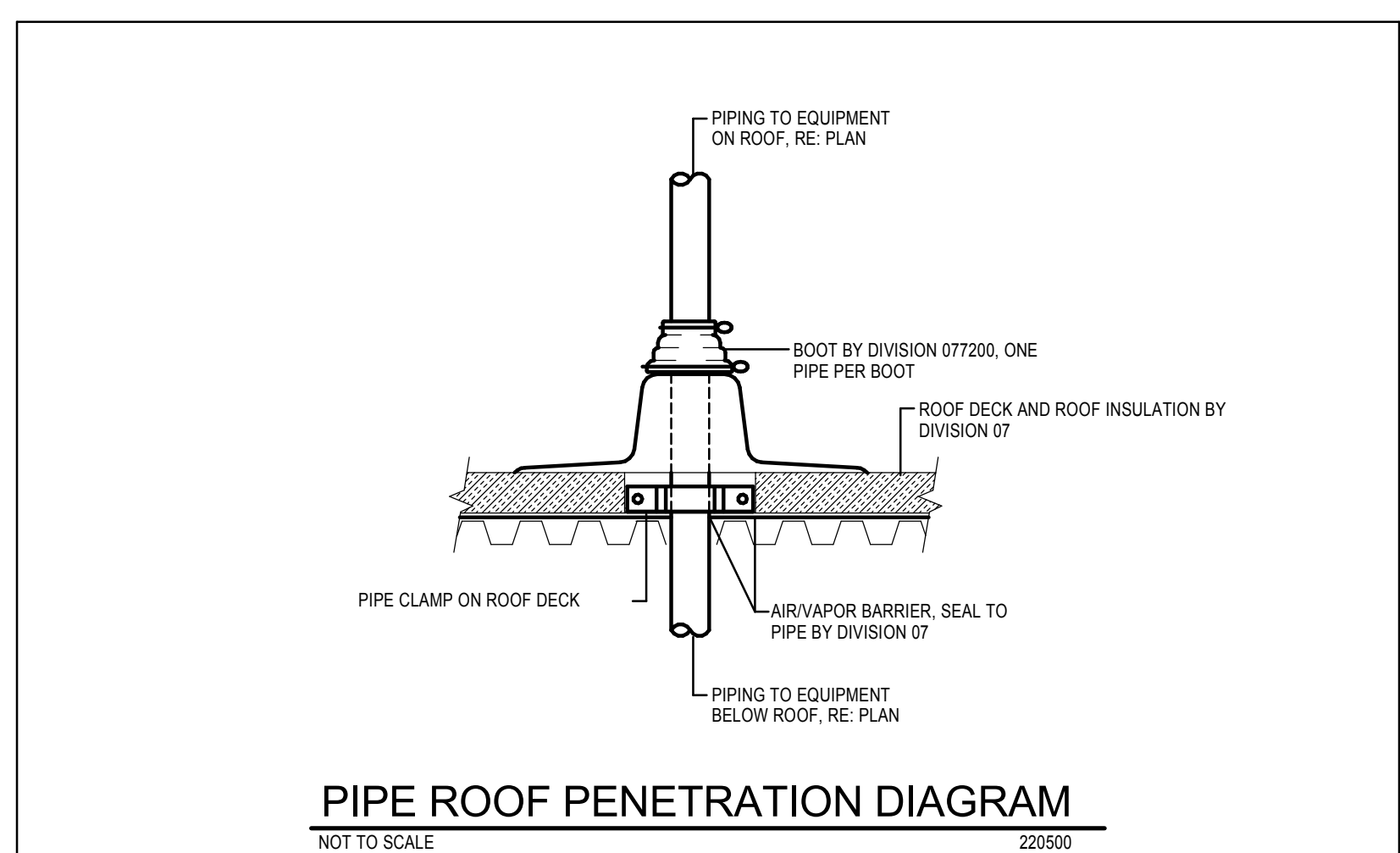
**WALL CLEANOUT (WCO)**  
NOT TO SCALE 221319



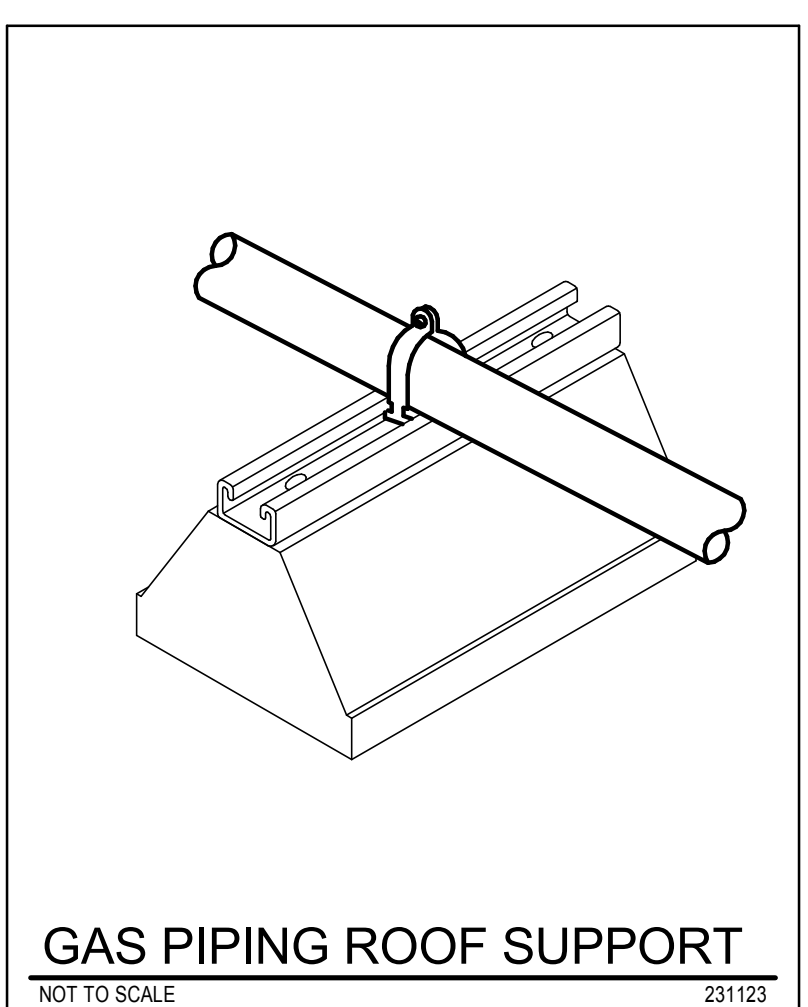
**2-WAY SURFACE CLEANOUT**  
NOT TO SCALE CHECK VALVES AT 45 DEG 221319



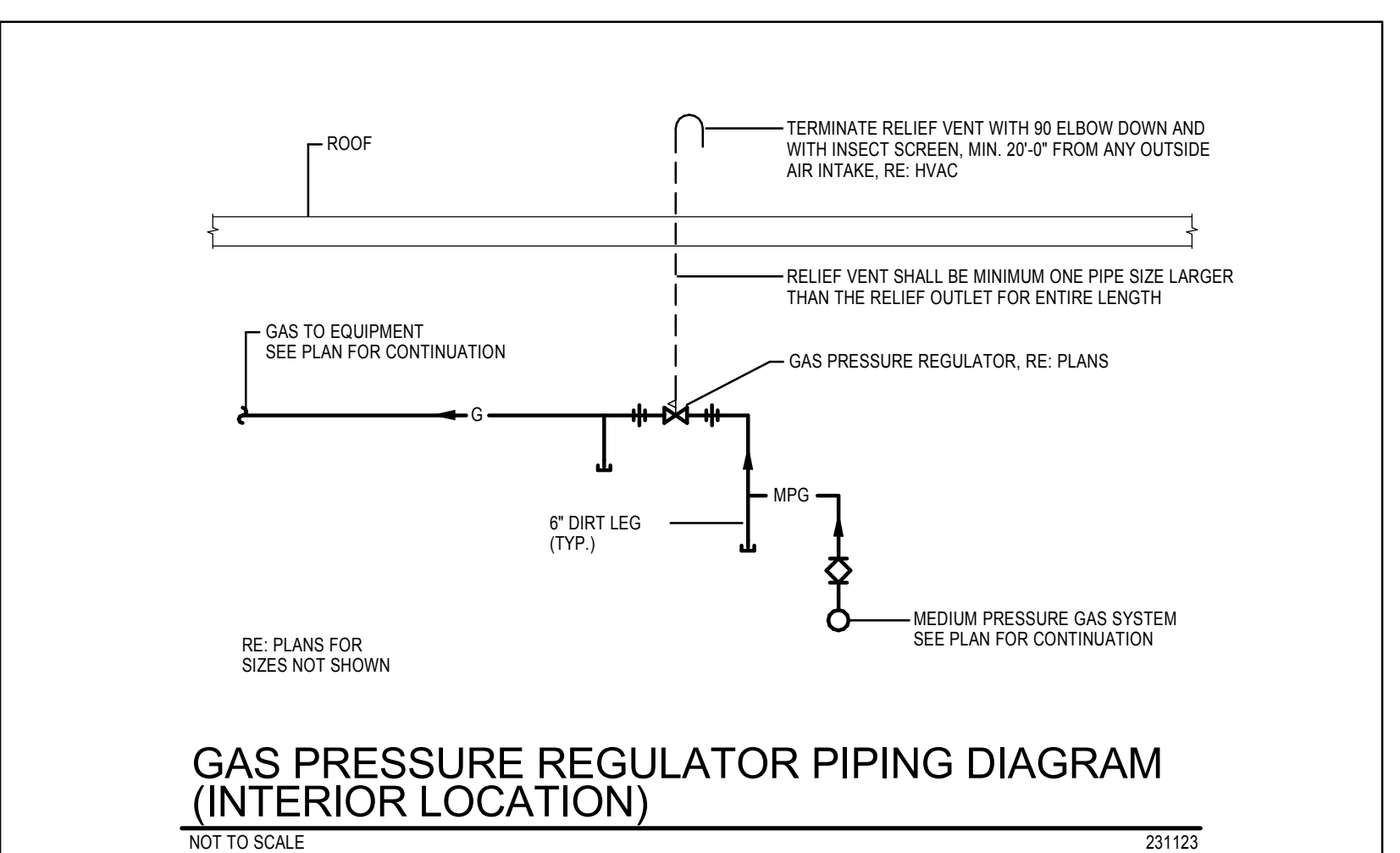
**FLOOR CLEANOUT (FCO)**  
NOT TO SCALE 221319



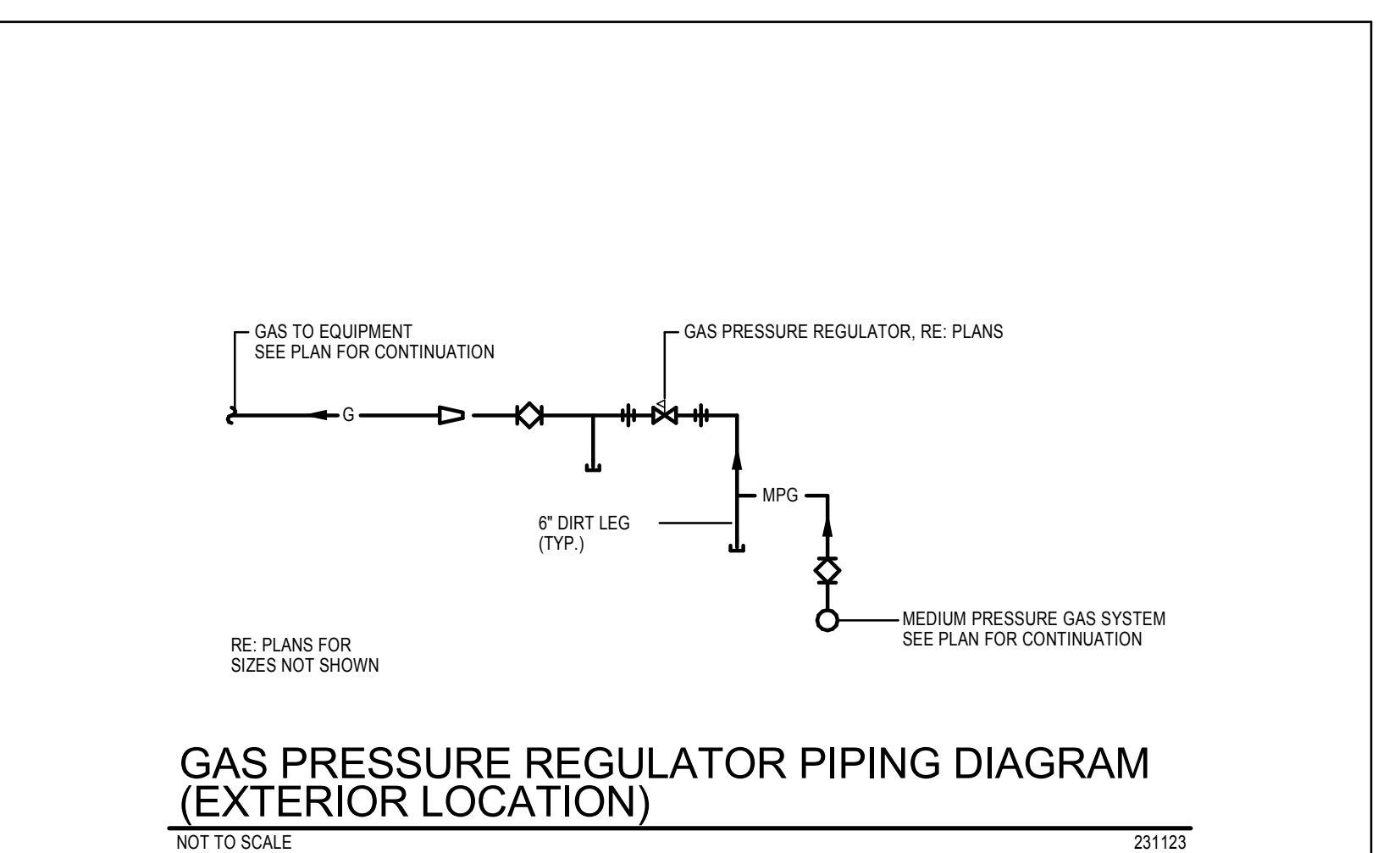
**PIPE ROOF PENETRATION DIAGRAM**  
NOT TO SCALE 220500



**GAS PIPING ROOF SUPPORT**  
NOT TO SCALE 231123



**GAS PRESSURE REGULATOR PIPING DIAGRAM (INTERIOR LOCATION)**  
NOT TO SCALE 231123



**GAS PRESSURE REGULATOR PIPING DIAGRAM (EXTERIOR LOCATION)**  
NOT TO SCALE 231123