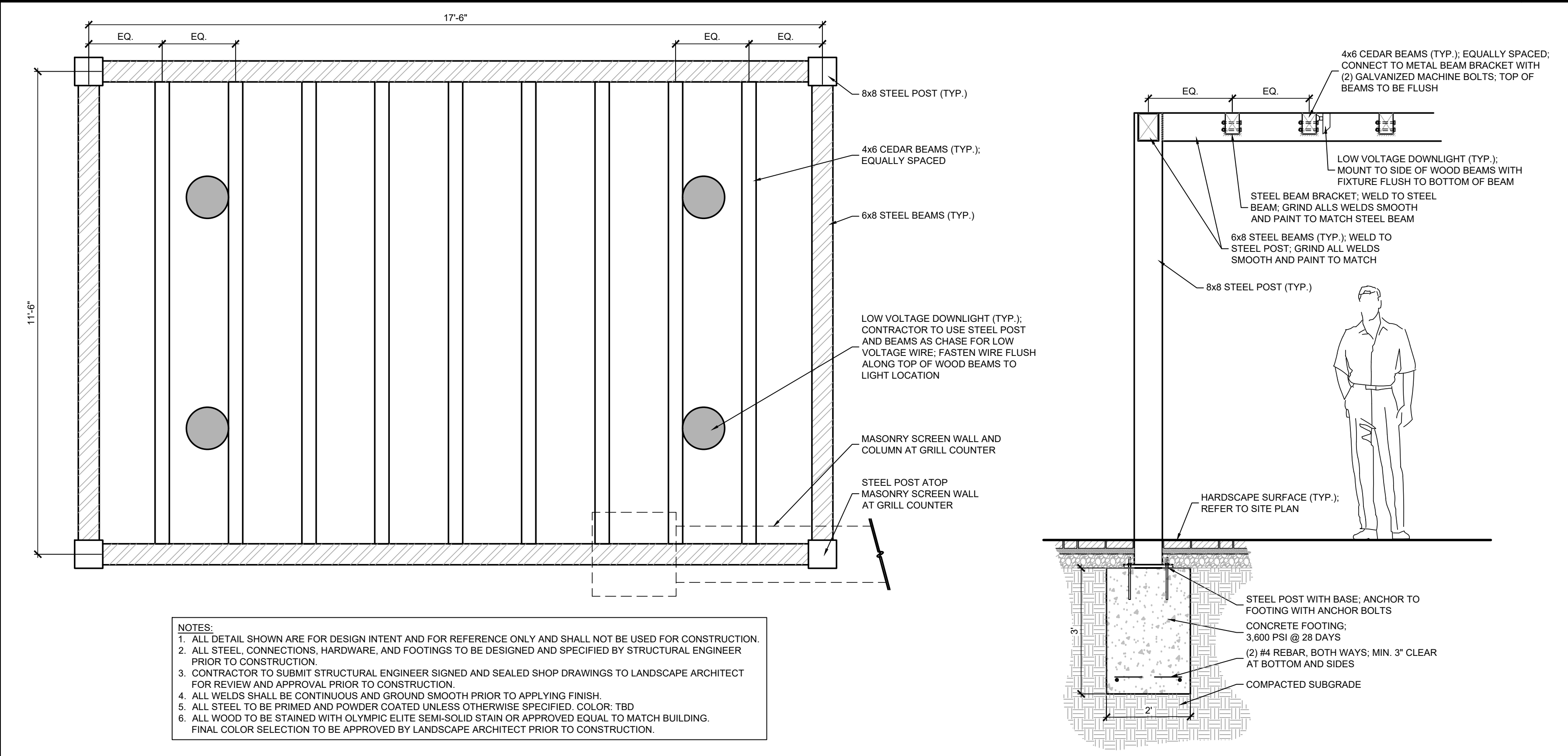


**Pergola B at Outdoor Kitchen** 11  
Not to Scale

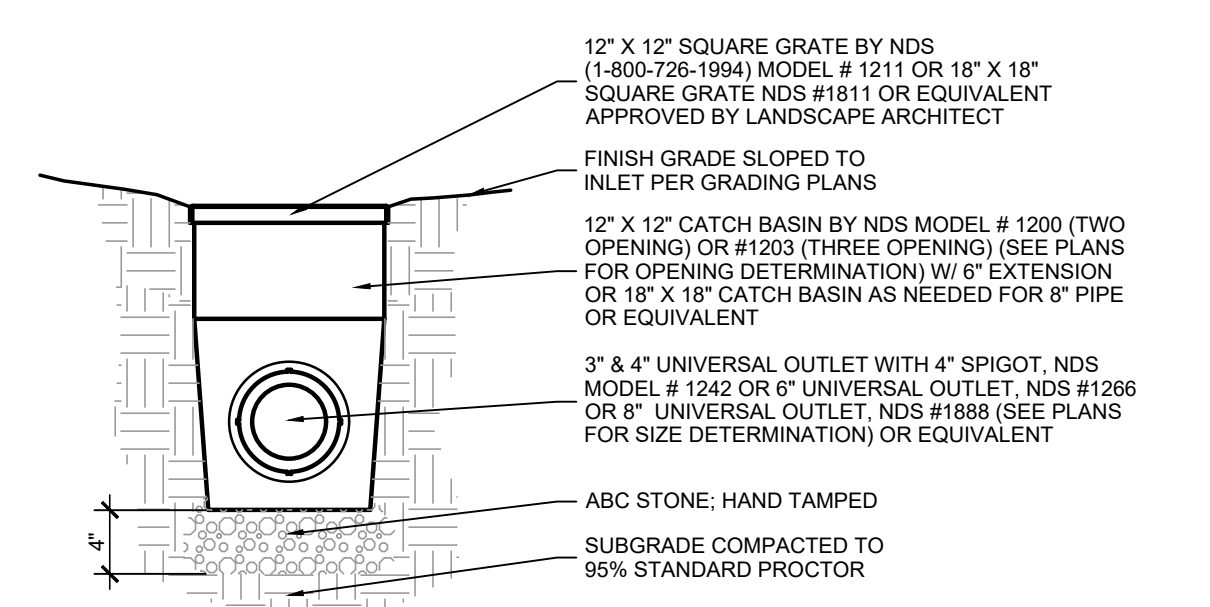
**Reserved** 07  
Not to Scale

**Reserved** 04  
Not to Scale

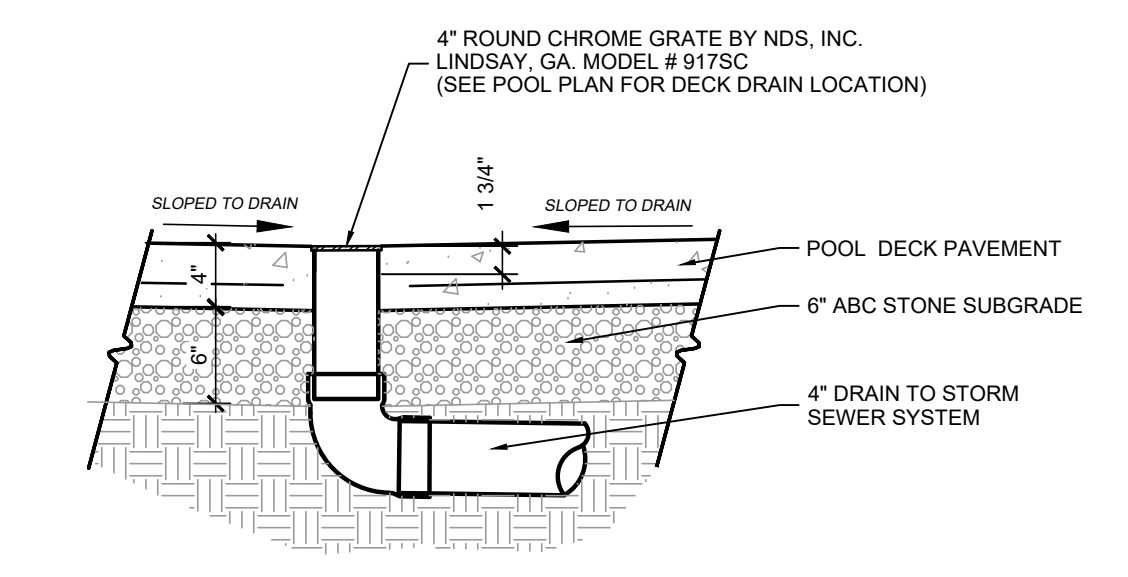


**Pergola A at Outdoor Kitchen** 10  
Not to Scale

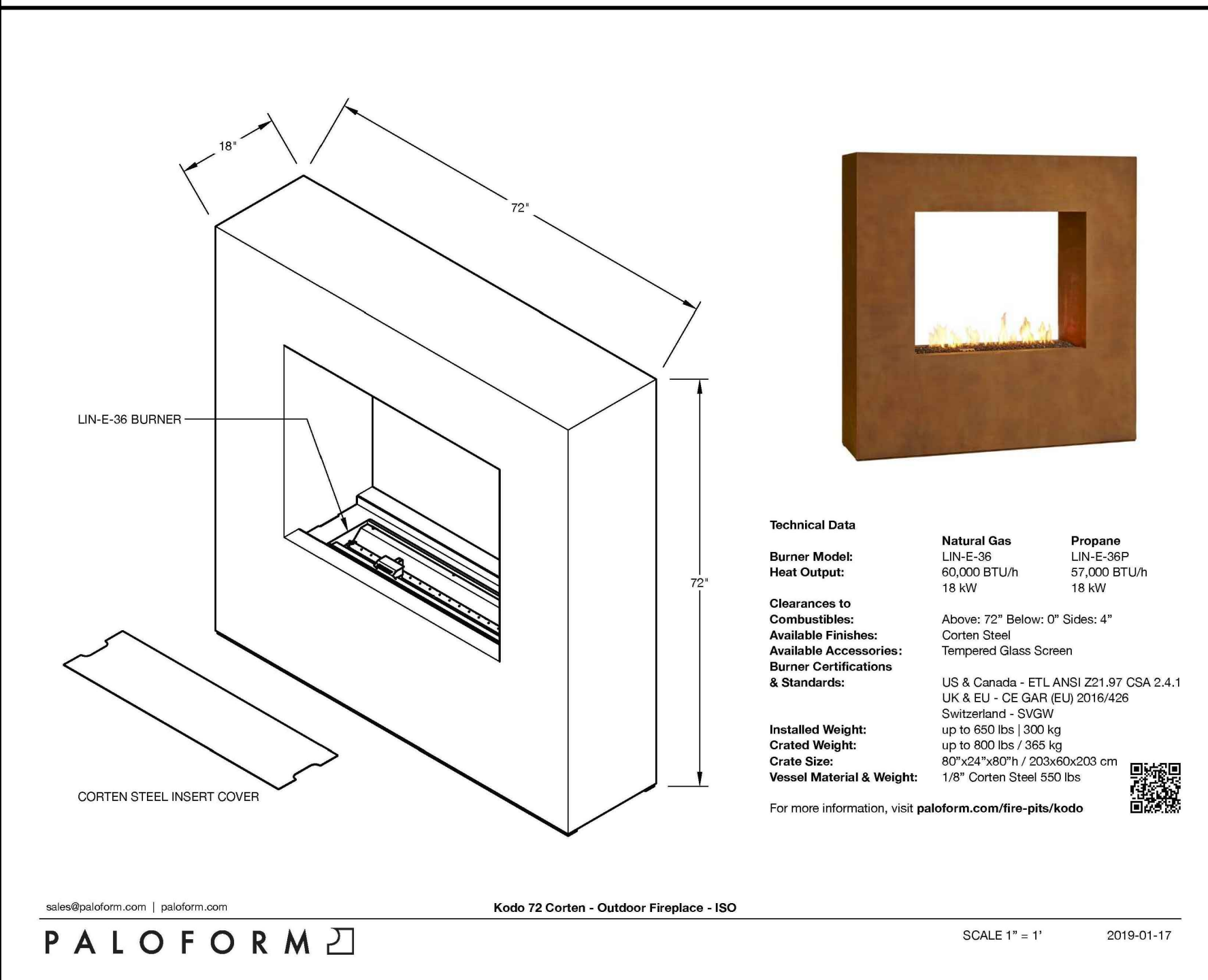
**Reserved** 06  
Not to Scale



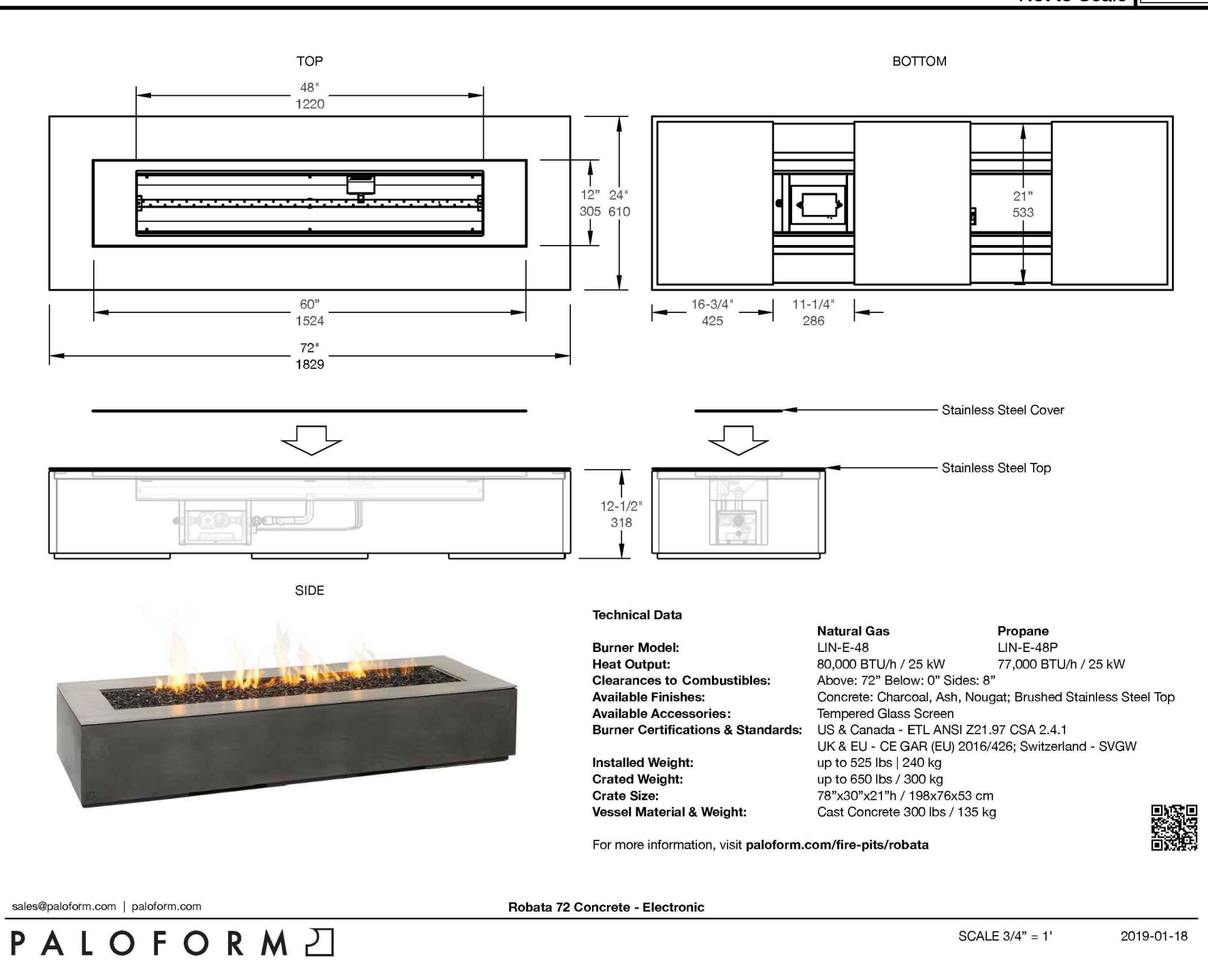
**Yard Inlet** 03  
Not to Scale



**Hardscape Area Drain** 02  
Not to Scale

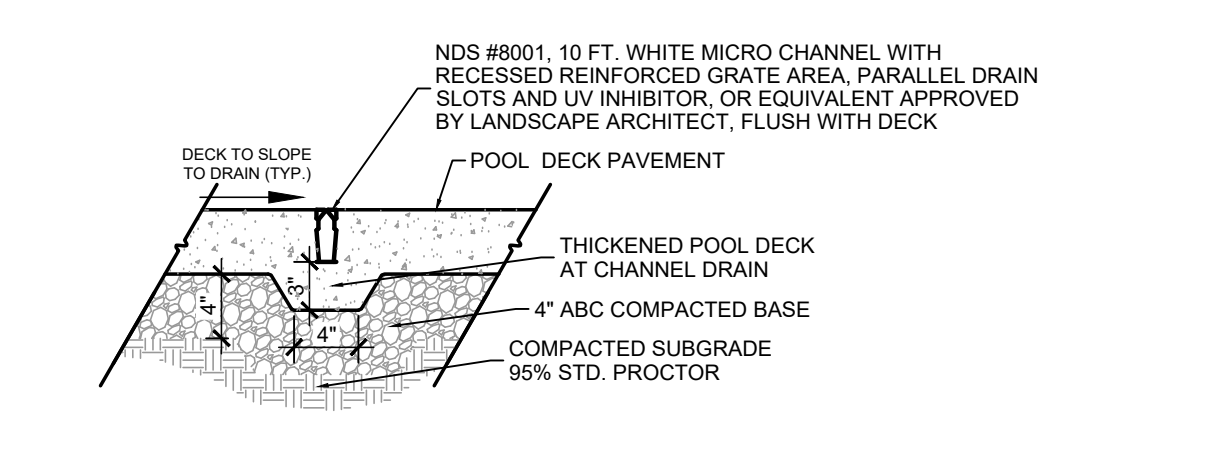


**Fireplace** 09  
Not to Scale



**Firepit** 08  
Not to Scale

**Reserved** 05  
Not to Scale



**Channel Drain** 01  
Not to Scale

© 2019 CLINE DESIGN ASSOCIATES, P.A. EXPRESSLY RESERVES ALL RIGHTS. THESE PLANS ARE NOT TO BE REPRODUCED, CHANGED OR COPIED IN ANY FORM OR MANNER WHATSOEVER, NOR ARE THEY TO BE ASSIGNED TO ANY THIRD PARTY WITHOUT FIRST OBTAINING THE EXPRESSED WRITTEN PERMISSION AND CONSENT OF CLINE DESIGN ASSOCIATES, P.A.

Crescent Communities  
**Novel University Place**  
J.W. Clay Boulevard  
Charlotte, NC

Preliminary Review

NOT FOR CONSTRUCTION

DESIGN DEVELOPMENT PRICING SET

PROJECT: 219006  
DATE: 01.06.2020  
REVISIONS: \_\_\_\_\_ DATE: \_\_\_\_\_

DRAWN BY: BS  
CHECKED BY: ML  
Site Details

**SD2.20**