

**GENERAL NOTES - INTERIOR DETAILS**

GENERAL CONDITIONS

1. DETAIL DRAWINGS ARE PROVIDED FOR DESIGN INTENT PURPOSES ONLY. DIRECT COPIES OF DESIGN INTENT DRAWINGS PRESENTED AS SHOP DRAWINGS WILL NOT BE APPROVED.
2. CONTRACTOR SHALL CAREFULLY REVIEW THE DESIGN INTENT DRAWINGS AND SHALL IMMEDIATELY NOTIFY BB+M ARCHITECTURE OF ANY ERROR, INCONSISTENCY, OR OMISSION.
3. SHOP DRAWINGS OF ALL MILLWORK PIECES ARE REQUIRED AND SHALL BE FORWARDED TO BB+M ARCHITECTURE FOR REVIEW AND APPROVAL PRIOR TO FABRICATION. SHOP DRAWINGS SHALL SHOW DIMENSIONED PLANS + ELEVATIONS, LARGE-SCALE DETAILS, ATTACHMENT DEVICES, AND OTHER COMPONENTS. SHOW LOCATIONS AND SIZES OF CUTOUTS AND HOLES FOR PLUMBING FIXTURES, FAUCETS, GROMMETS, AND OTHER ITEMS INSTALLED IN ARCHITECTURAL MILLWORK.
4. CONTRACTOR SHALL FIELD VERIFY ALL DIMENSIONS PRIOR TO COMMENCING FABRICATION OF MILLWORK.
5. SAMPLES OF ALL SPECIFIED FINISHES ARE REQUIRED AND SHALL BE SENT TO BB+M ARCHITECTURE FOR REVIEW AND APPROVAL PRIOR TO FABRICATION. STONE & SOLID SURFACING SAMPLES SHALL BE 6"x6". PLASTIC LAMINATE & PAINT SAMPLES SHALL BE 6"x6" AND MUST BE APPLIED TO THE SPECIFIED SUBSTRATE. VENEER SAMPLES SHALL BE 8"x10" APPLIED TO THE SPECIFIED SUBSTRATE. SHOW A FACE VENEER SEAM, AND FINISH ONE HALF OF THE SAMPLE AS SPECIFIED. EXPOSED CABINET HARDWARE SAMPLES SHOULD BE PROVIDED; (1) PER HARDWARE SPECIFICATION.
6. IF NOT INDICATED ON THE ELEVATION, REFER TO THE FF+E PACKAGE FOR HARDWARE SPECIFICATIONS. IF A SPECIFIC HARDWARE IS NOT REQUIRED, A DESIGN INTENT WILL BE INDICATED IN THE DRAWING NOTATIONS.

FABRICATION

1. ALL MILLWORK SHALL BE 3/4" PLYWOOD SUBSTRATE WITH VENEER, HPL, OR OTHER TOP SURFACE UNLESS OTHERWISE NOTED. RAW PLYWOOD FINISH IS NOT ACCEPTABLE IN ANY AREA VISIBLE DURING NORMAL USE.
2. PROVIDE SCREW COVERS FOR ALL EXPOSED SCREWS. FINISH TO MATCH ADJACENT FINISH. EXPOSURE OF SCREWS AND HARDWARE SHOULD BE LIMITED TO NECESSITY. PLACEMENT OF EXPOSED HARDWARE IS TO BE NOTED ON SHOP DRAWINGS FOR APPROVAL BY BB+M ARCHITECTURE.

FINISHES

1. IF PAINTED FINISH IS SPECIFIED, FINISH MUST BE EVEN & FREE OF DEFECTS INCLUDING DRIPS, BRUSH STROKES, RUBS, OR SAGS. APPLICATION OF PAINTED FINISH MUST INCLUDE A PRIMER COAT AND 2 TOP COATS AT MINIMUM.
2. IF HIGH PRESSURE LAMINATE FINISH IS SPECIFIED, CONTRACTOR IS TO COMPLY WITH THE FABRICATION REQUIREMENTS AS DICTATED BY THE A.W.I.

HARDWARE

1. DRAWER SLIDES ARE REQUIRED TO BE SIDE MOUNTED (U.N.O.), FULL EXTENSION, ZINC-PLATED STEEL WITH STEEL BALL BEARINGS. SLIDES MUST BE RATED TO HOLD THE FOLLOWING MINIMUM LOADS:
  - FILE DRAWERS: 150 LBF
  - BOX DRAWERS: 100 LBF
  - PENCIL DRAWERS: 100 LBF
  - PRINTER DRAWER OR SLIDING PLATE: 300 LBF

INSTALLATION

1. INSTALL CABINETS ENSURING DOORS AND DRAWERS FIT OPENING PROPERLY AND ARE ALIGNED. ADJUST HARDWARE TO CENTER DOORS AND DRAWERS IN OPENINGS AND TO PROVIDE UNHINDERED OPERATION. INSTALL CABINETS WITH NO MORE THAN A 2" PER 96" SAG, BOW, OR OTHER VARIATION FROM A STRAIGHT LINE.
2. CONTRACTOR TO PROVIDE ALL BRACING IN WALL TO SUPPORT MILLWORK PIECES AS REQUIRED BY FABRICATOR. COORDINATE WITH FABRICATOR FOR REQUIREMENTS.
3. COORDINATE LOCATION OF ELECTRICAL OUTLETS WITH ELECTRICAL EQUIPMENT, MILLWORK, AND FIELD CONDITIONS. NOTIFY ARCHITECT IN THE EVENT OF ANY NEED TO RELOCATE OUTLETS PRIOR TO MILLWORK INSTALLATION.
4. CONTRACTOR TO CONFIRM ALL APPLIANCE SIZES & APPROPRIATE CLEARANCES PRIOR TO MILLWORK FABRICATION.



**FOR CONSTRUCTION**

UNIVERSITY PLACE  
CRESCENT COMMUNITIES



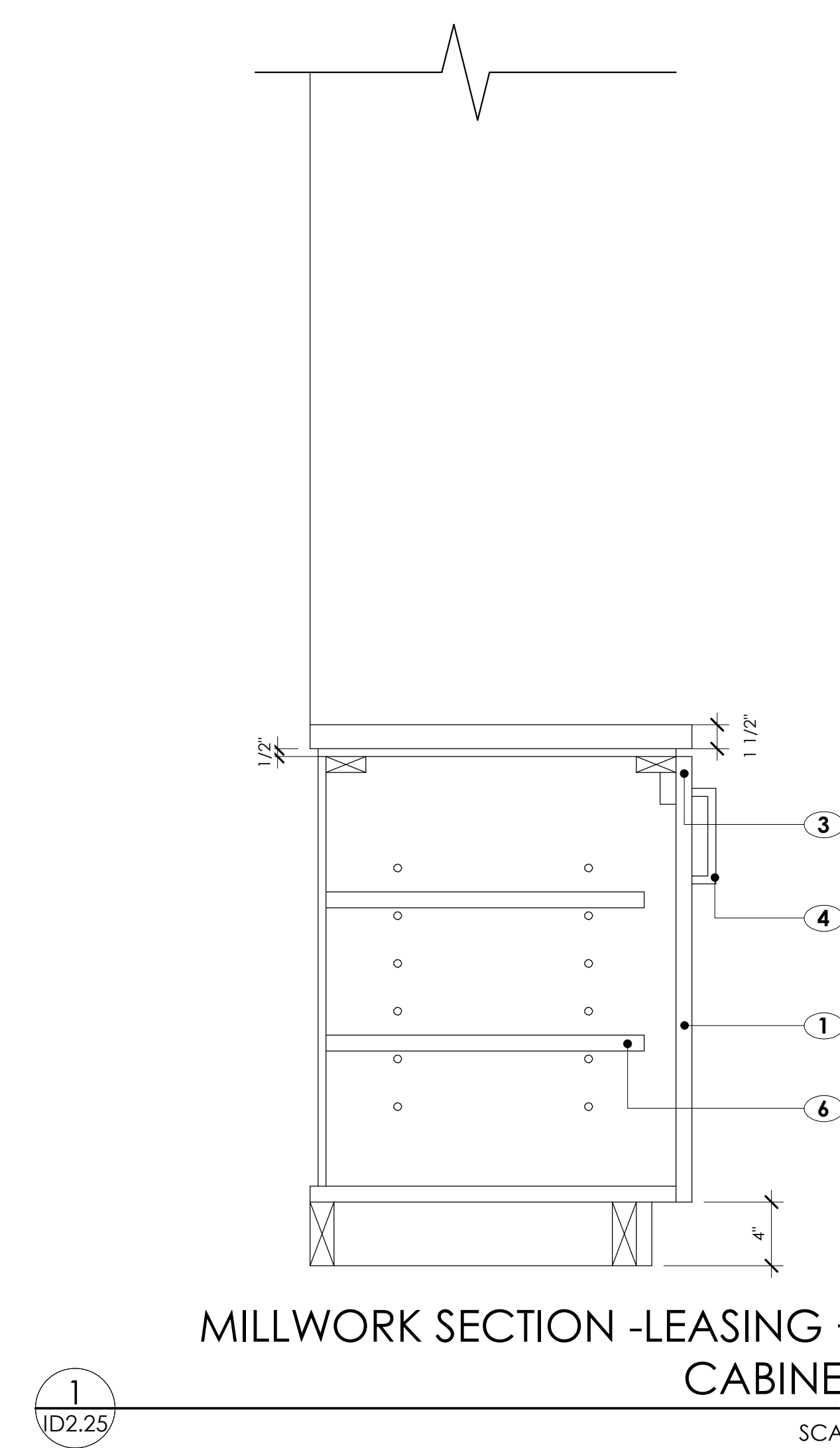
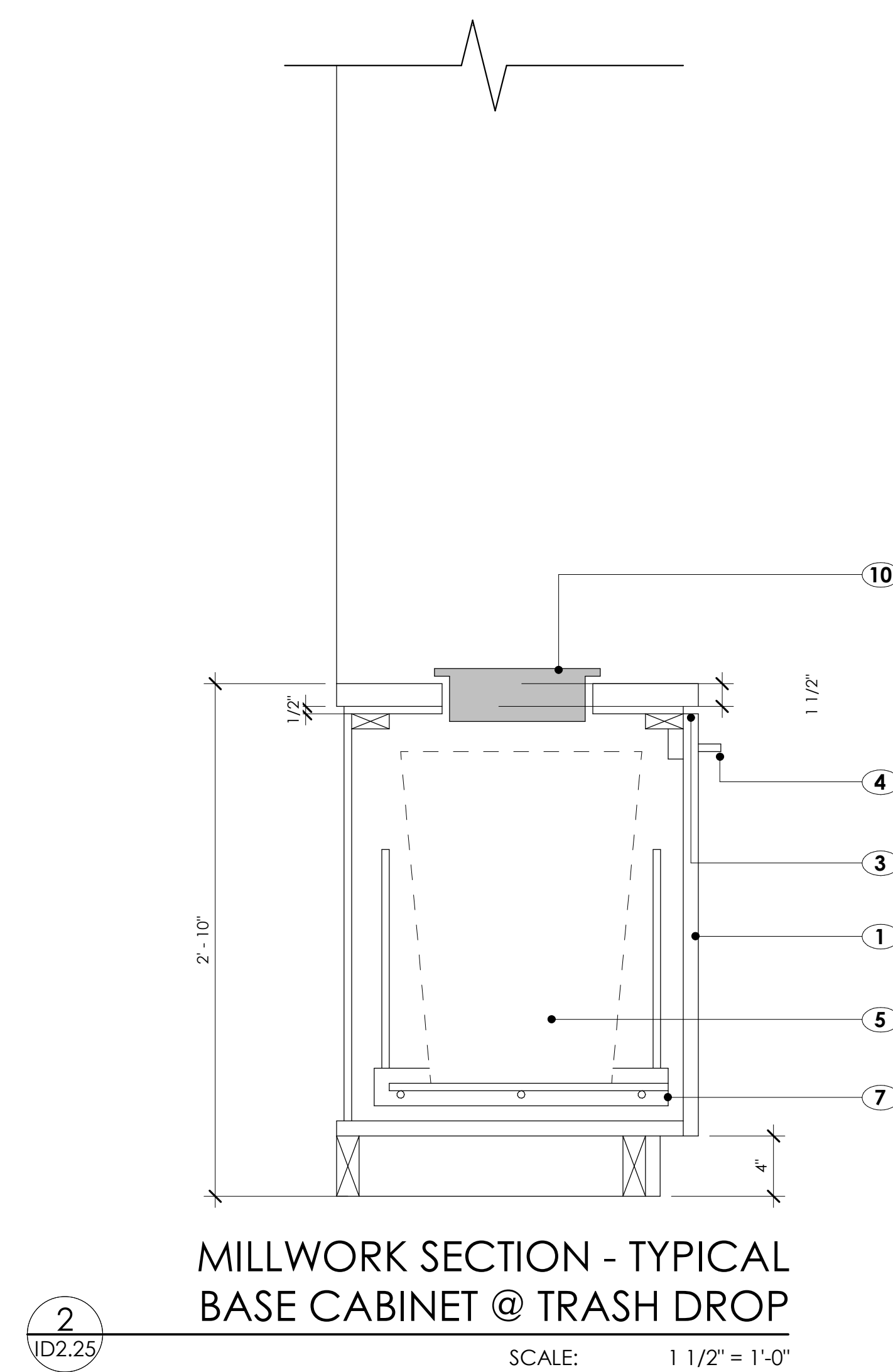
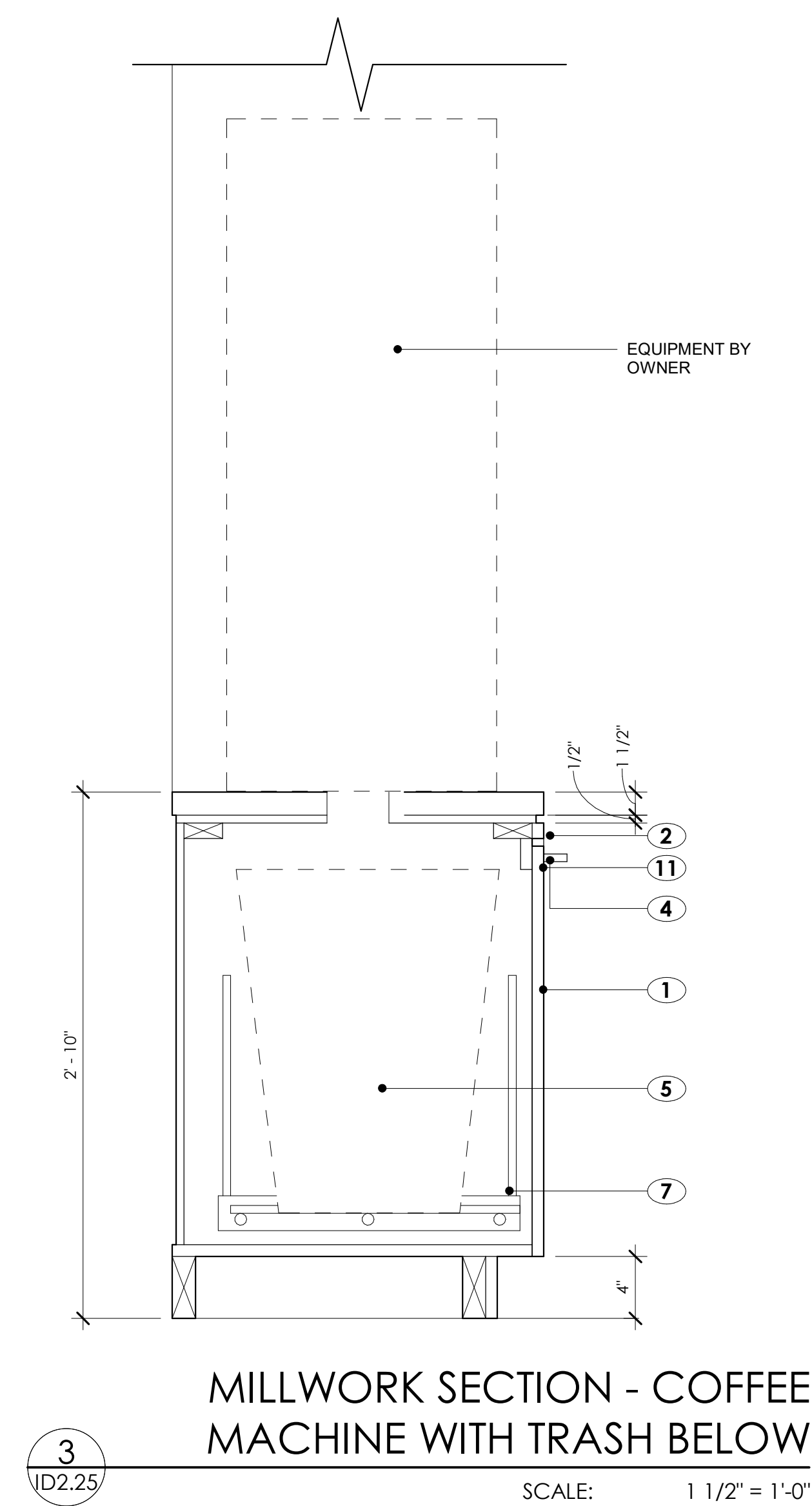
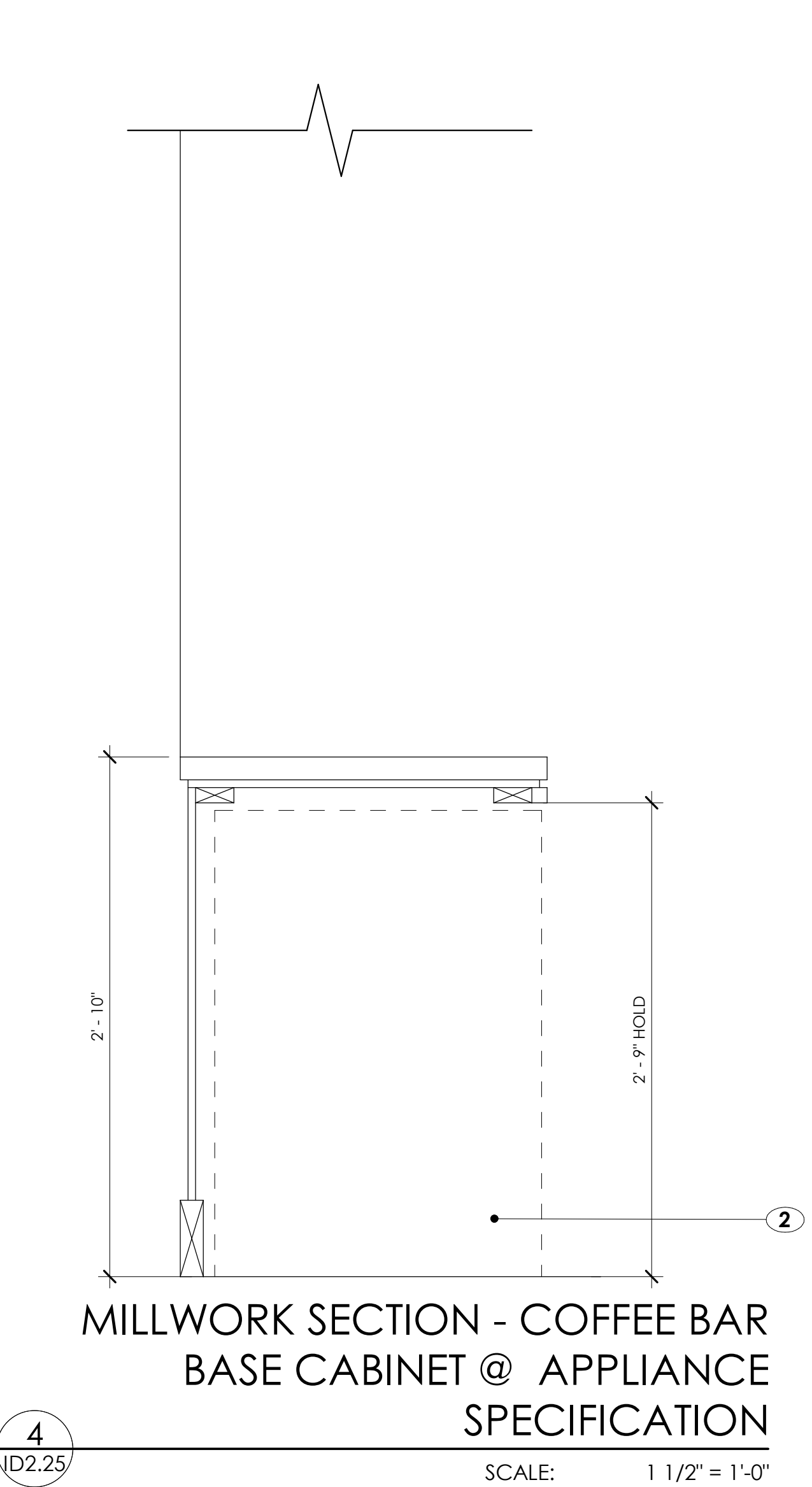
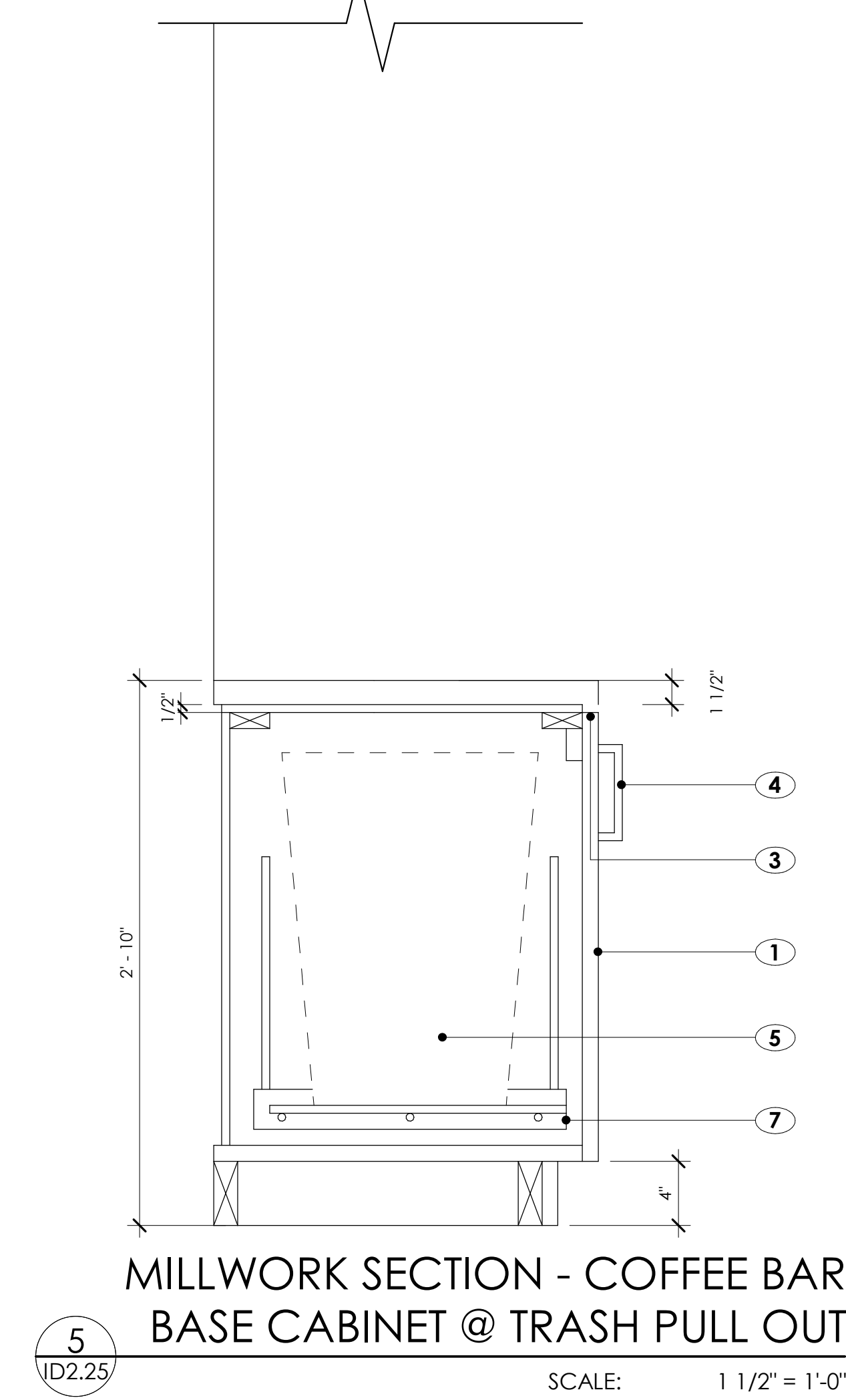
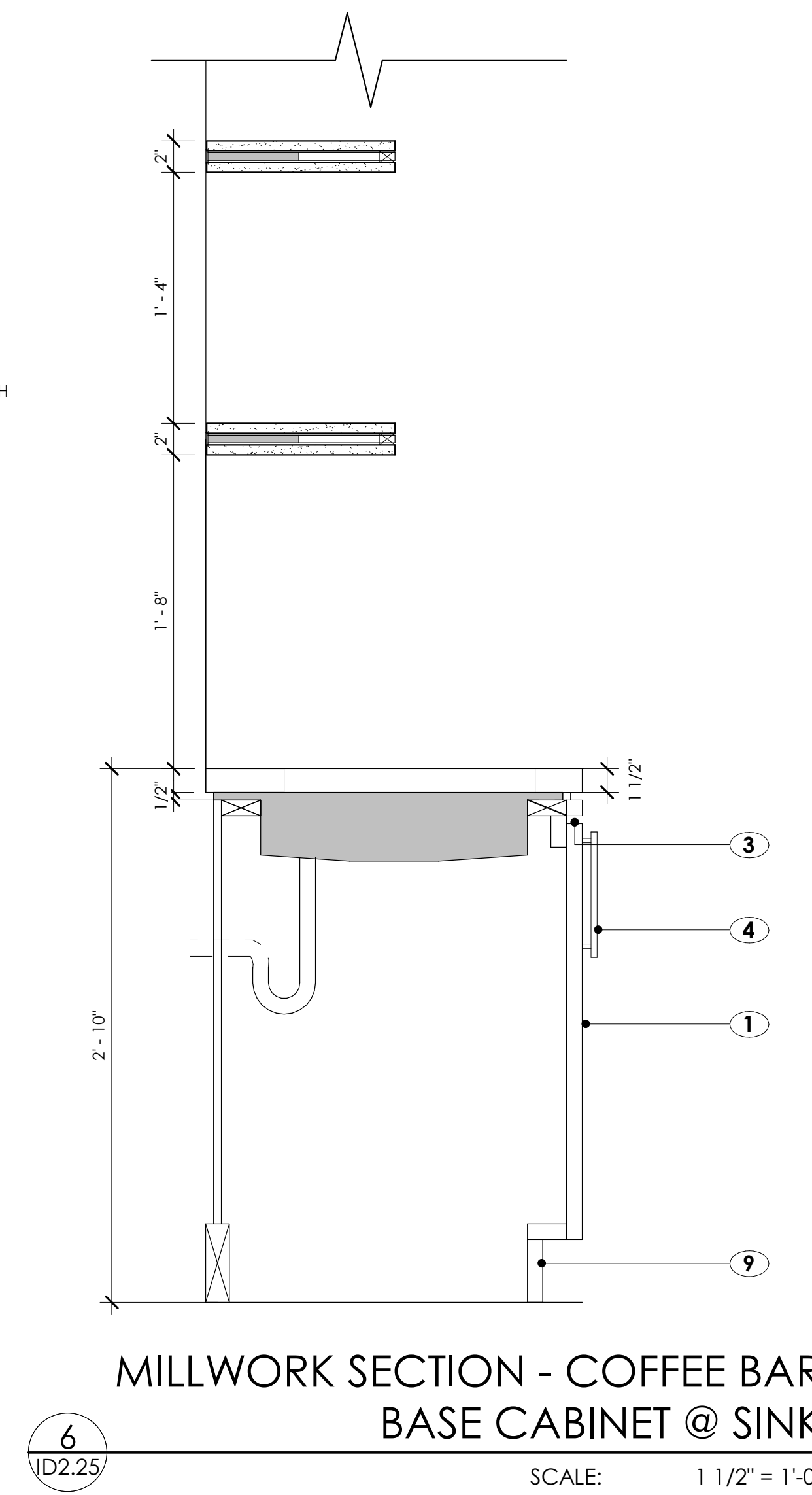
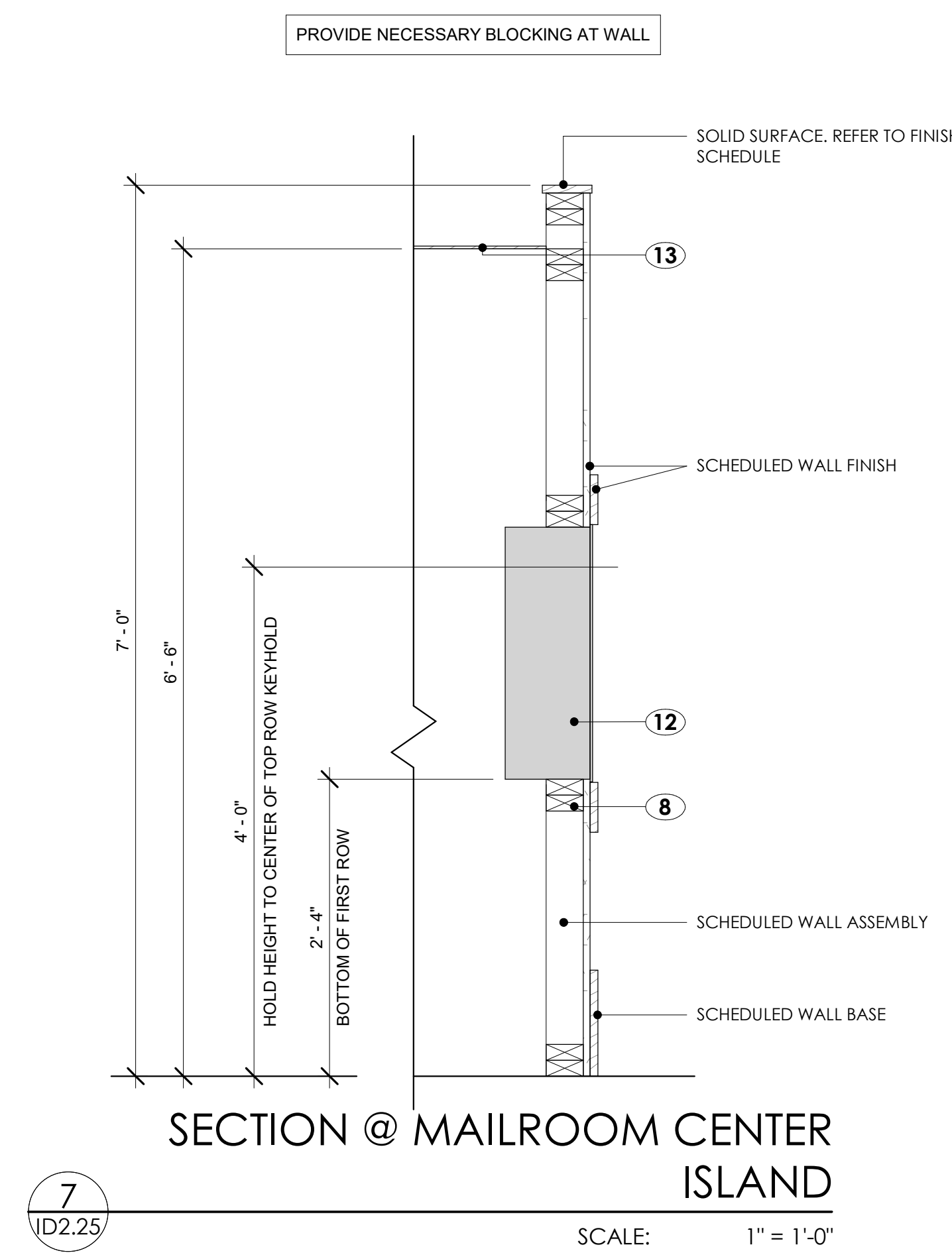
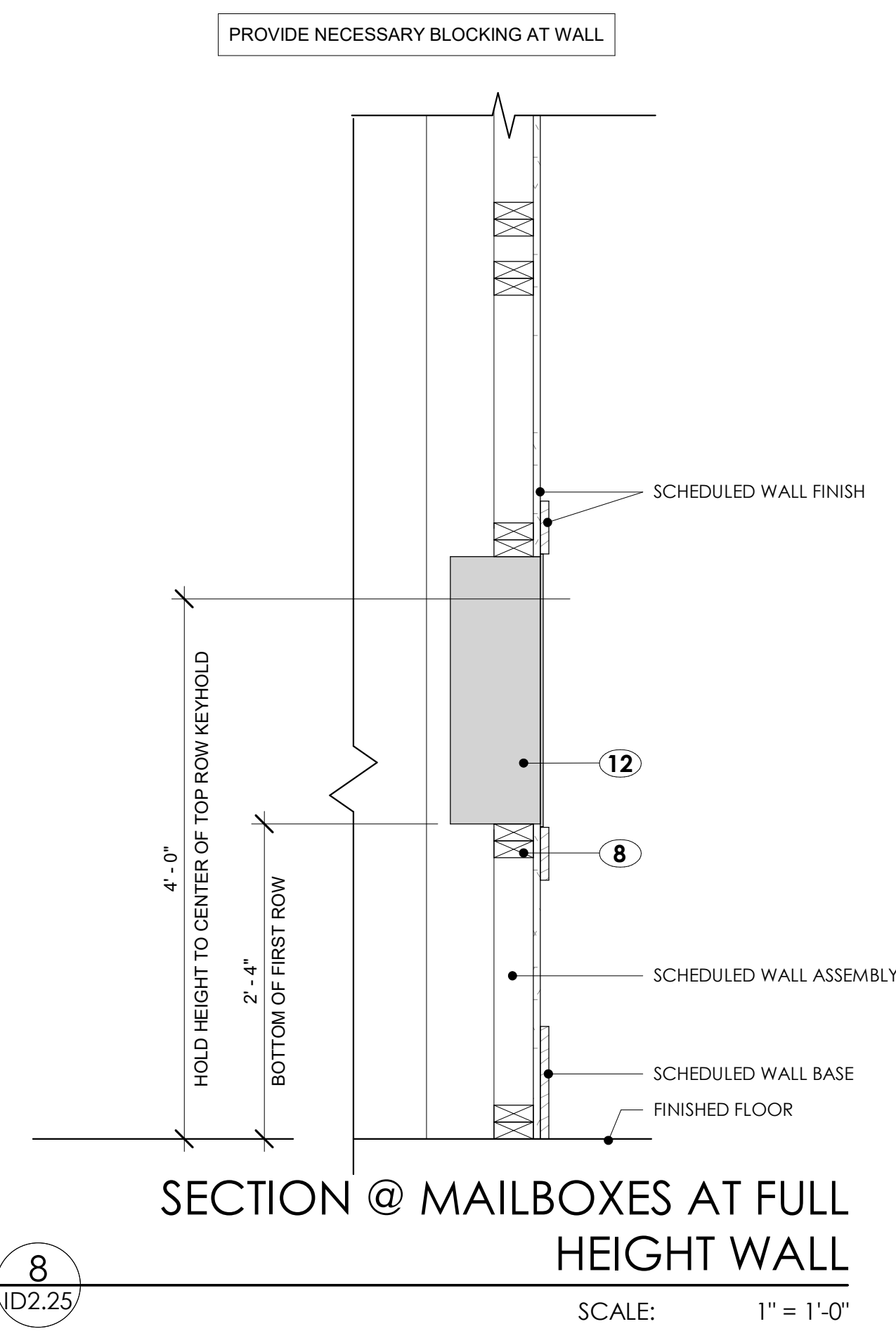
LOCATION / CHARLOTTE, NC  
PROJECT # / 19CRC310  
DATE / 03.26.2020  
DRAWN / Author

COPYRIGHT 2015 BB+M ARCHITECTURE PLLC.

| Revisions |             |      |
|-----------|-------------|------|
| No.       | Description | Date |
|           |             |      |
|           |             |      |
|           |             |      |
|           |             |      |

**LEASING DETAILS**

**ID2.25**



**CODED NOTES - INTERIOR DETAILS**

- 1 SHAKER STYLE CABINET DOOR, TYP. ALL DOORS.
- 2 APPLIANCE AND EQUIPMENT BY GC. REFER TO SCHEDULES ON SHEET A9-20 FOR MORE SPECIFICATION INFORMATION.
- 3 1/2" REVEAL IN PAINTED FINISH TO MATCH CABINET FACE.
- 4 CABINET PULL WITH 6" CENTERS. REFER TO ELEVATIONS FOR DIRECTION HARDWARE SHOULD BE MOUNTED. REFER TO FINISH SCHEDULE FOR MORE INFO.
- 5 TRASH BIN BY OWNER.
- 6 ADJUSTABLE SHELVES: PROVIDE (2), TYP.
- 7 FULL EXTENSION PULL-OUT WASTER CONTAINER HARDWARE. BASIS OF DESIGN IS REV-A-SHELF - RV-128PB-L - WHITE FINISH.
- 8 PROVIDE NECESSARY BLOCKING.
- 9 SINGLE PIECE ACCESSIBLE CABINET DOORS TO OPEN AND SLIDE AWAY FROM WHEELCHAIR ACCESS BELOW SINK. BASIS OF HARDWARE IS HAFLE ACCURIDE POCKET DOOR SYSTEM.
- 10 PROVIDE GROMMETTED OPENING TO WASTE COLLECTION BELOW. CONFIRM CUT OUT SIZE REQUIRED PER EQUIPMENT SPECIFIED.
- 11 LOCKABLE CABINET.
- 12 RECESSED MAIL SLOTS. REFER TO MANUFACTURER'S SPECIFICATIONS FOR INSTALLATION METHOD AND HEIGHT REQUIREMENTS TO COMPLY WITH USFS AND ADA STANDARDS.
- 13 UNFINISHED MDF WITH SUPPORT AS NECESSARY.