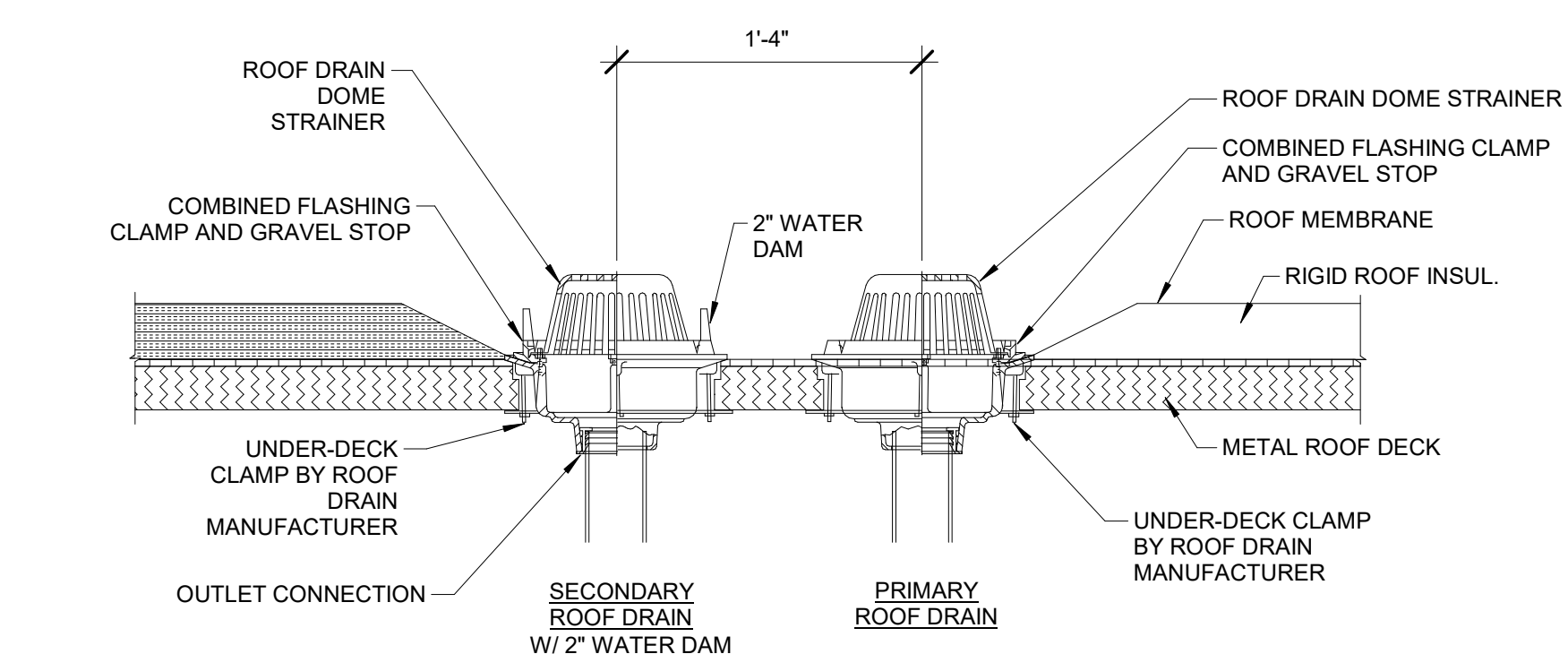
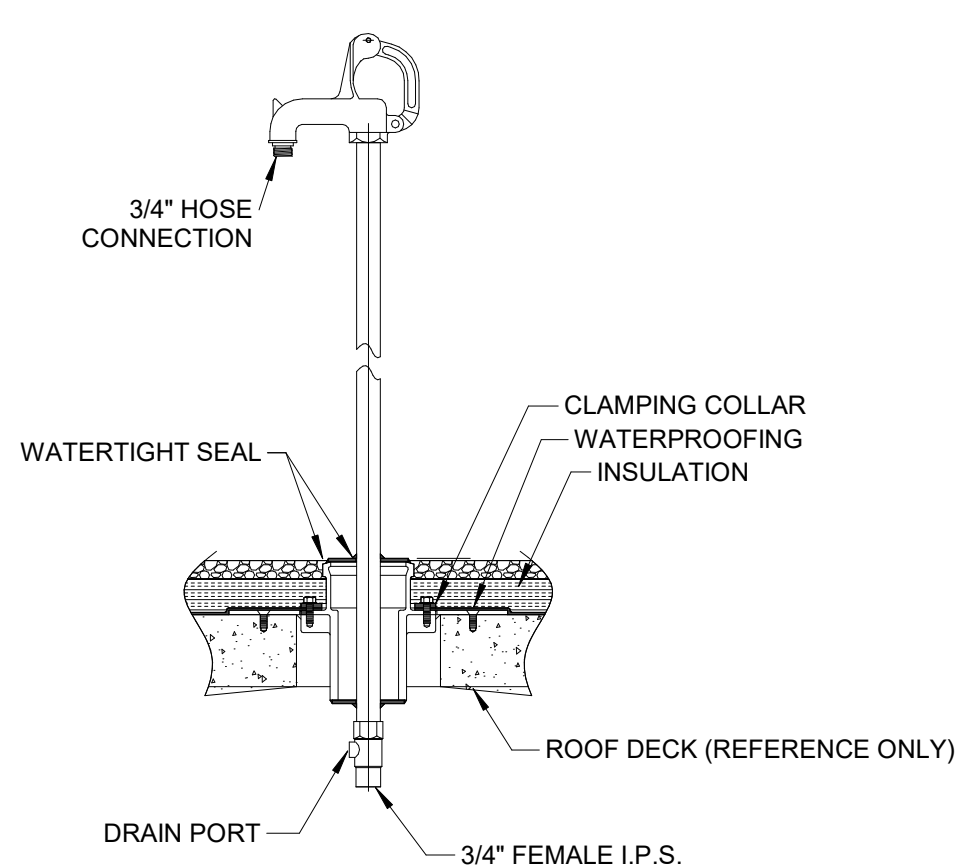


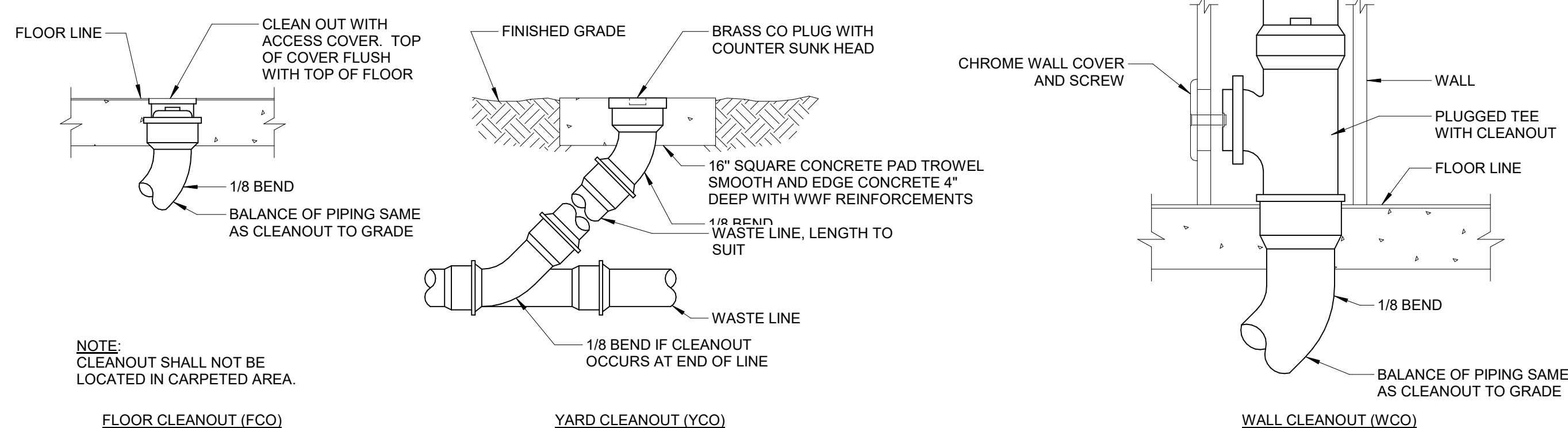
Revisions		
No.	Description	Date



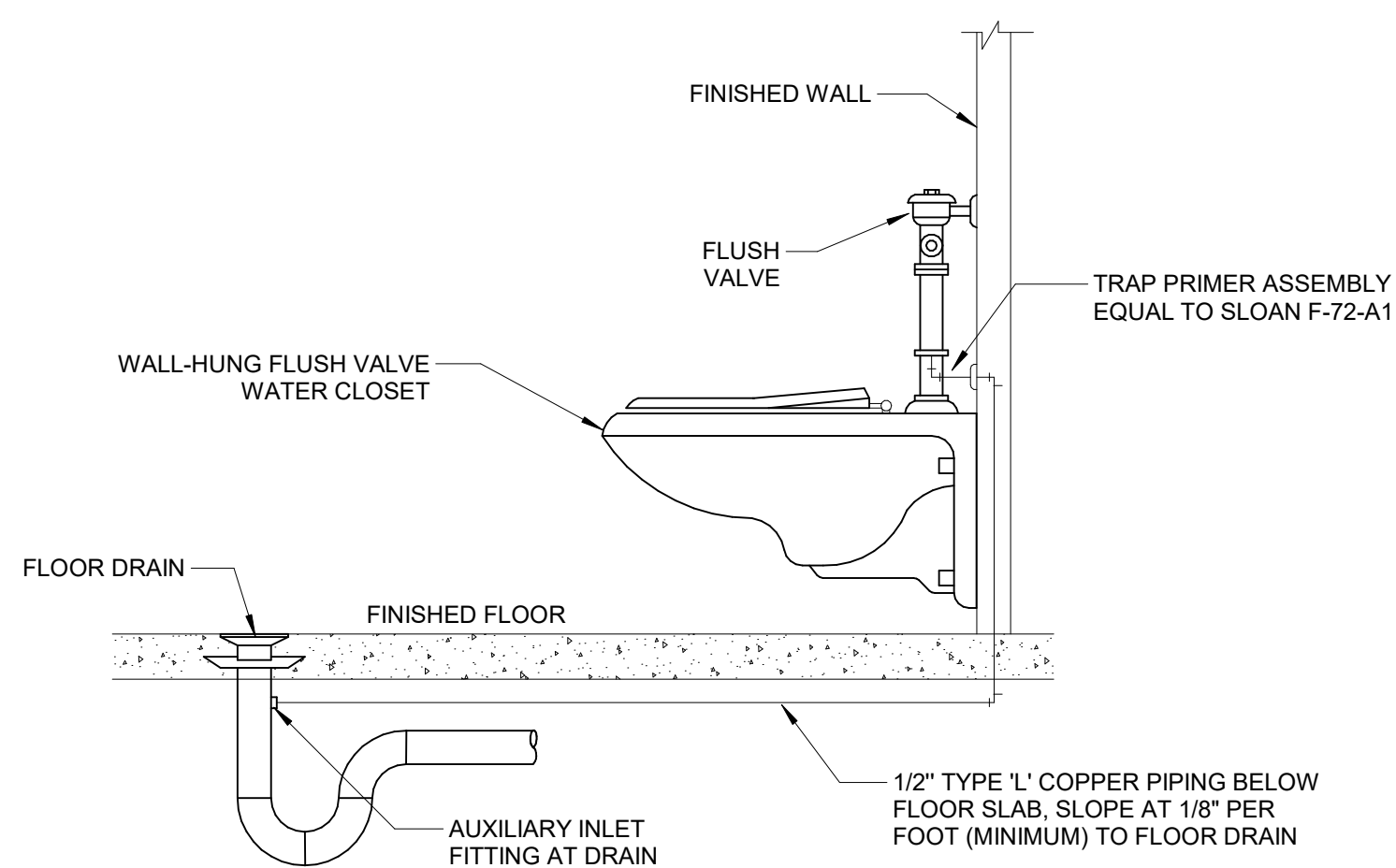
3 ROOF DRAIN AND OVERFLOW DRAIN DETAIL  
P0.02 SCALE: NTS



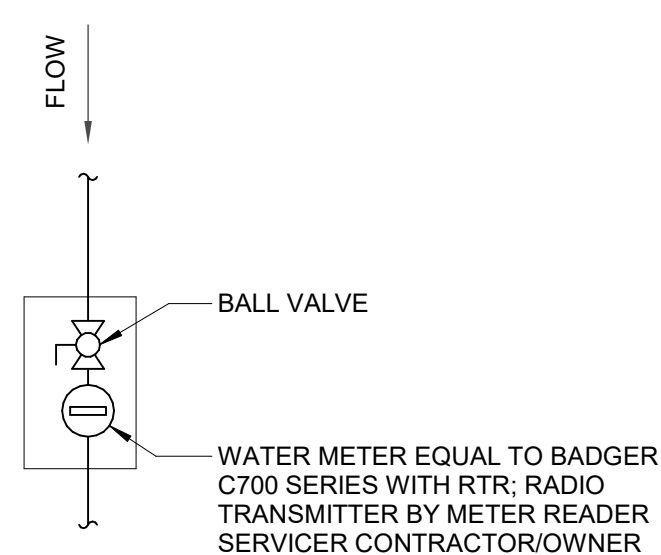
2 ROOF HOSE BIBB DETAIL  
P0.02 SCALE: NTS



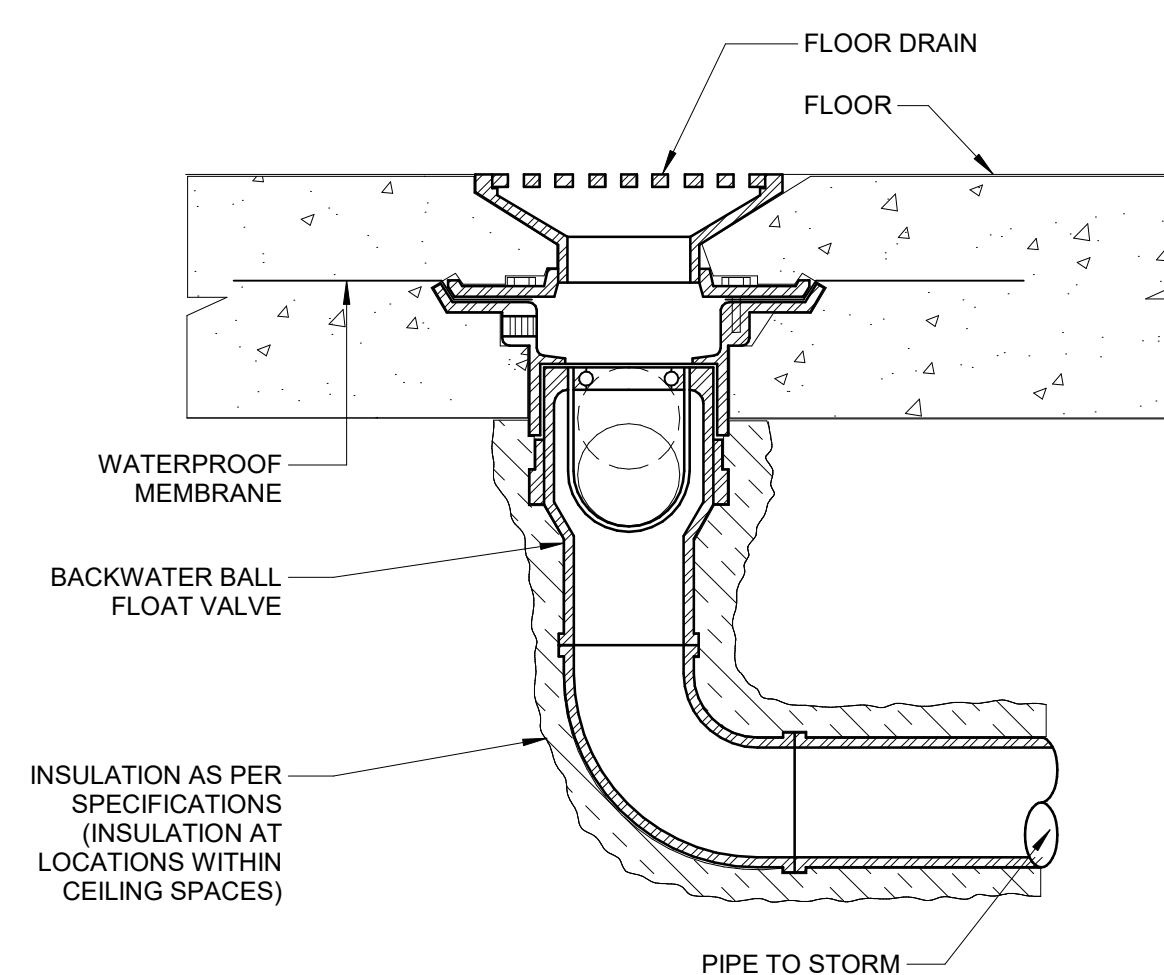
1 CLEANOUT DETAILS  
P0.02 SCALE: NTS



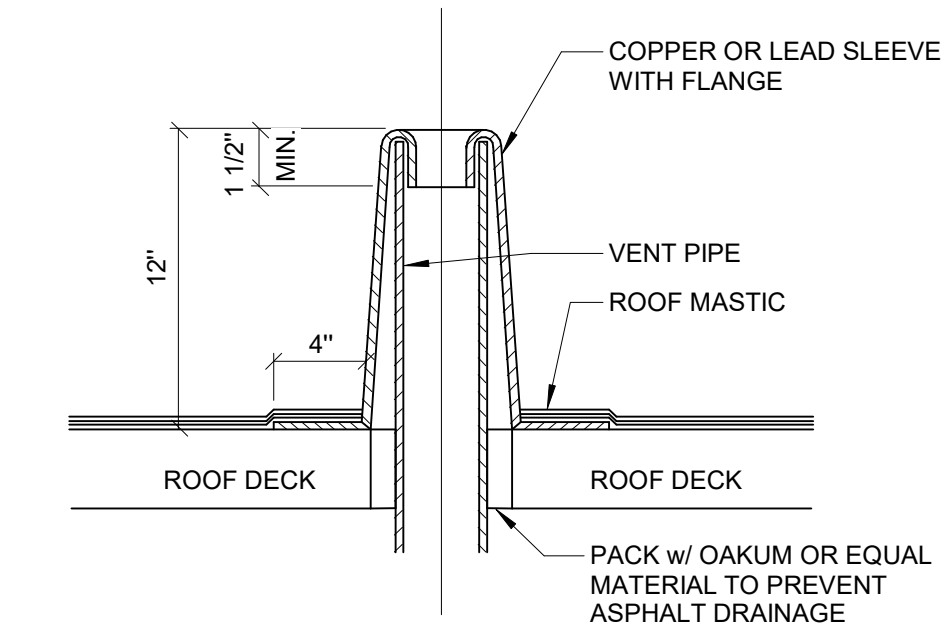
7 FLOOR DRAIN TRAP PRIMER DETAIL  
P0.02 SCALE: NTS



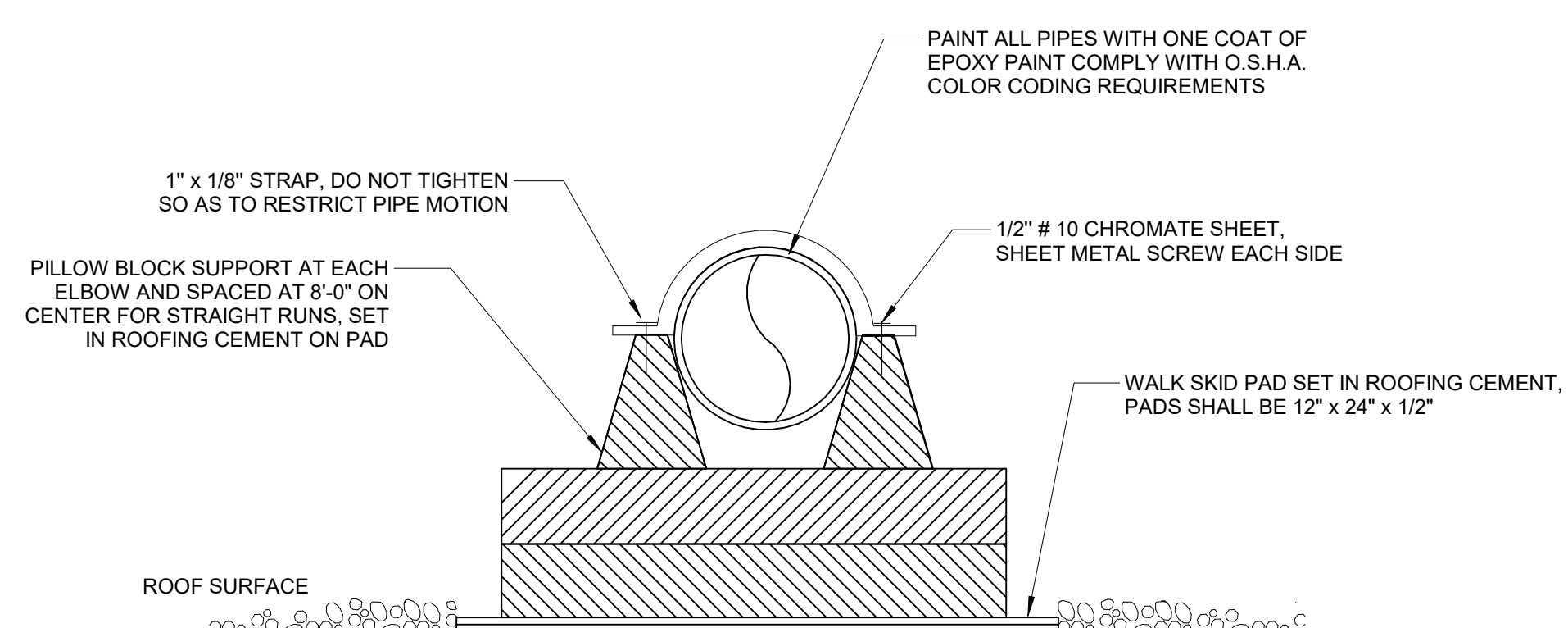
6 WATER METER ASSEMBLY DETAIL  
P0.02 SCALE: NTS



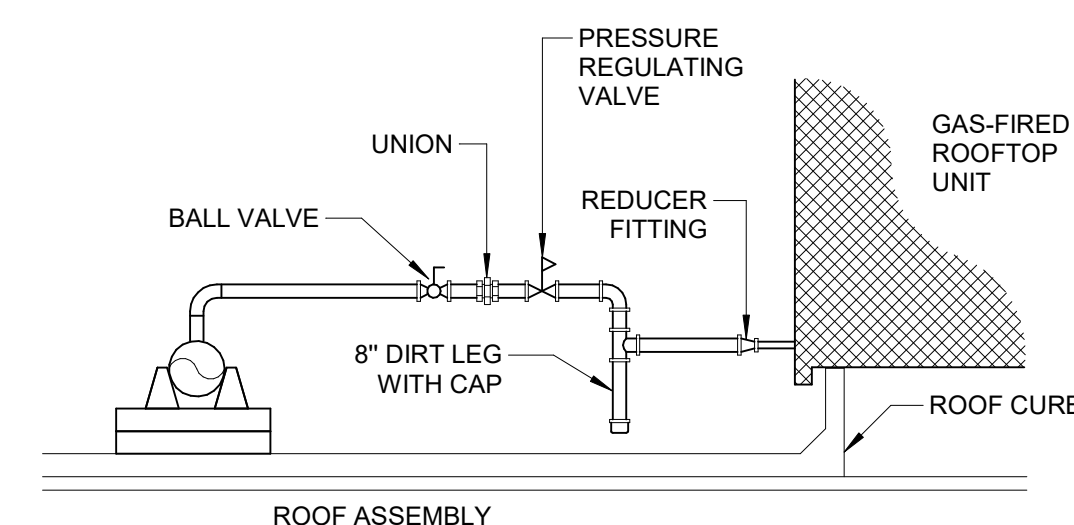
5 STORM WATER FLOOR DRAIN DETAIL  
P0.02 SCALE: NTS



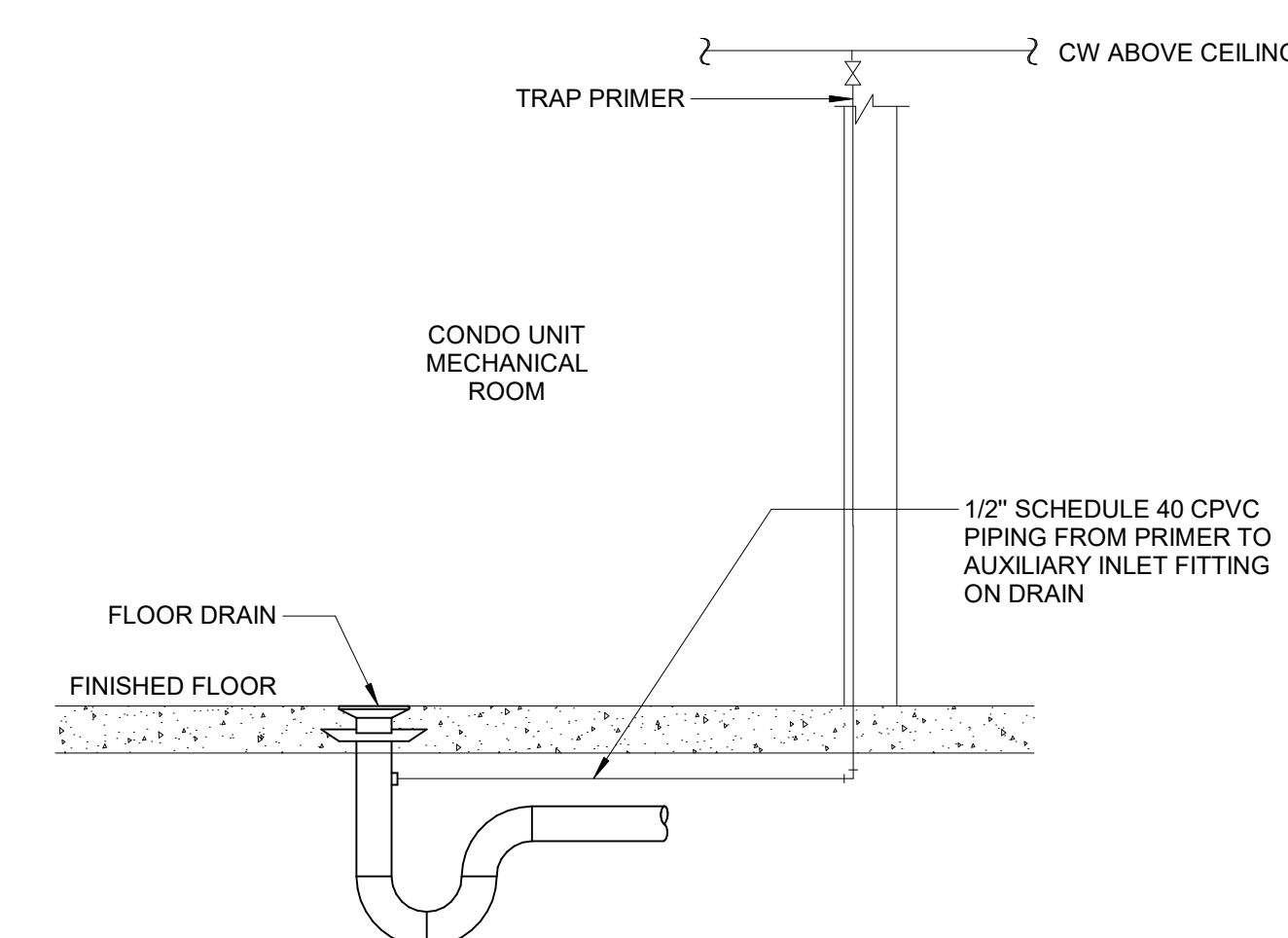
4 VENT THRU ROOF DETAIL  
P0.02 SCALE: NTS



10 GAS PIPING SUPPORT DETAIL  
P0.02 SCALE: NTS



9 GAS PIPING CONNECTION DETAIL  
P0.02 SCALE: NTS



8 TRAP PRIMER DETAIL  
P0.02 SCALE: NTS