

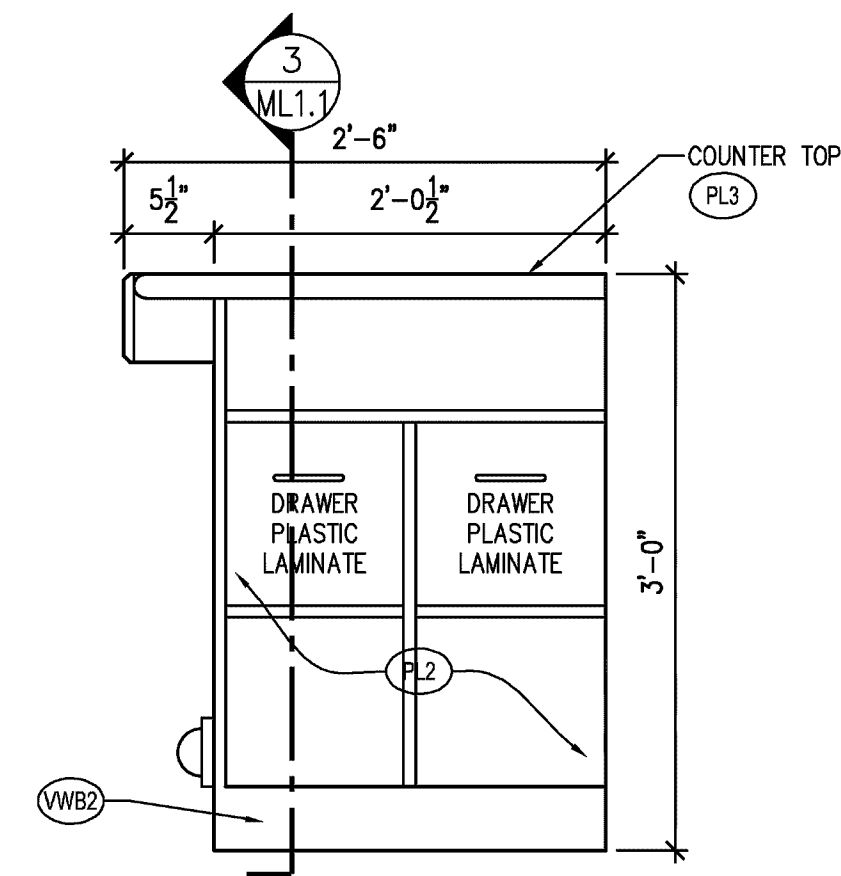
REVISIONS	Date
No. _____	Date _____
No. _____	Date _____
No. _____	Date _____
No. _____	Date _____
No. _____	Date _____
No. _____	Date _____
No. _____	Date _____
No. _____	Date _____
No. _____	Date _____
No. _____	Date _____
No. _____	Date _____

DRAWING NAME

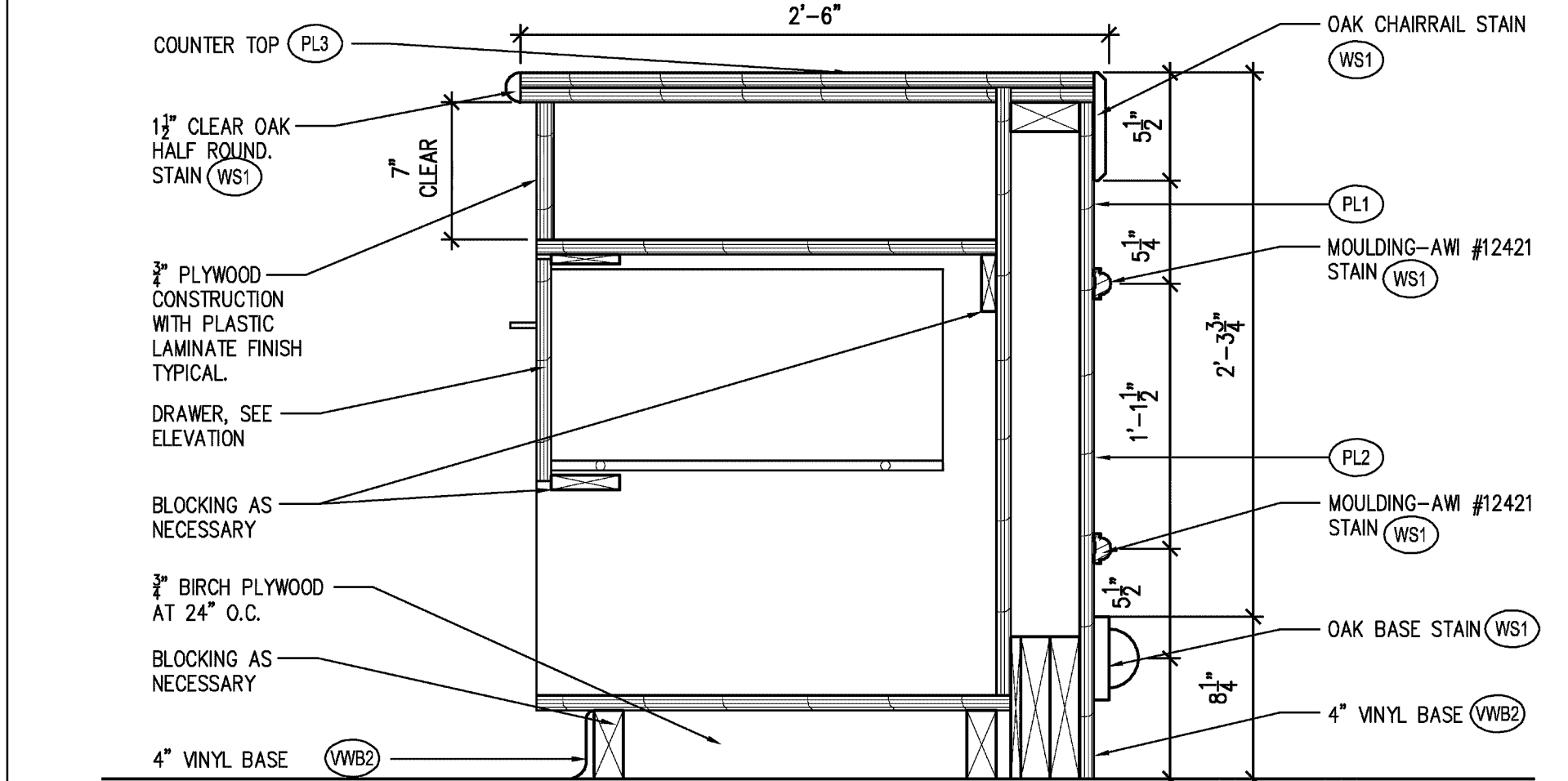
MILLWORK DETAILS

SHEET NO.

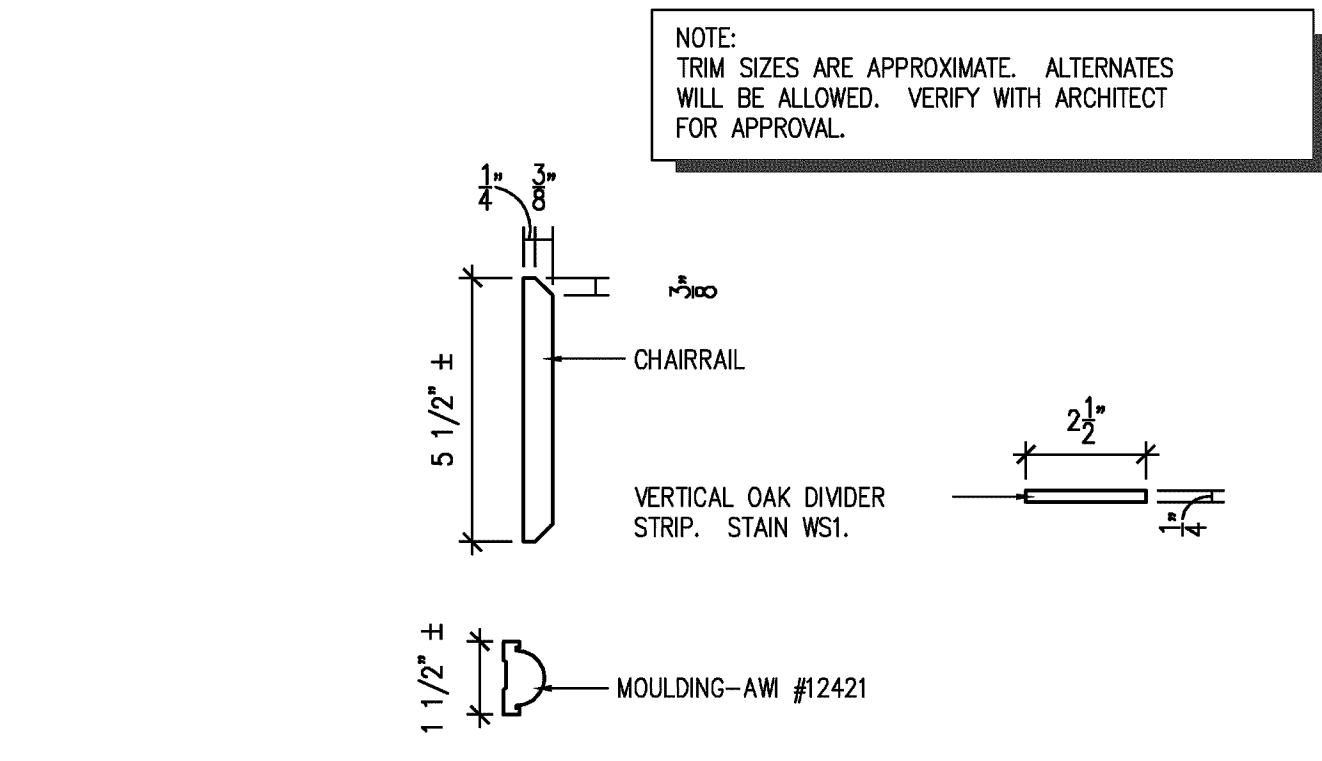
ISSUE DATE: 04.27.12 **ML1.1**



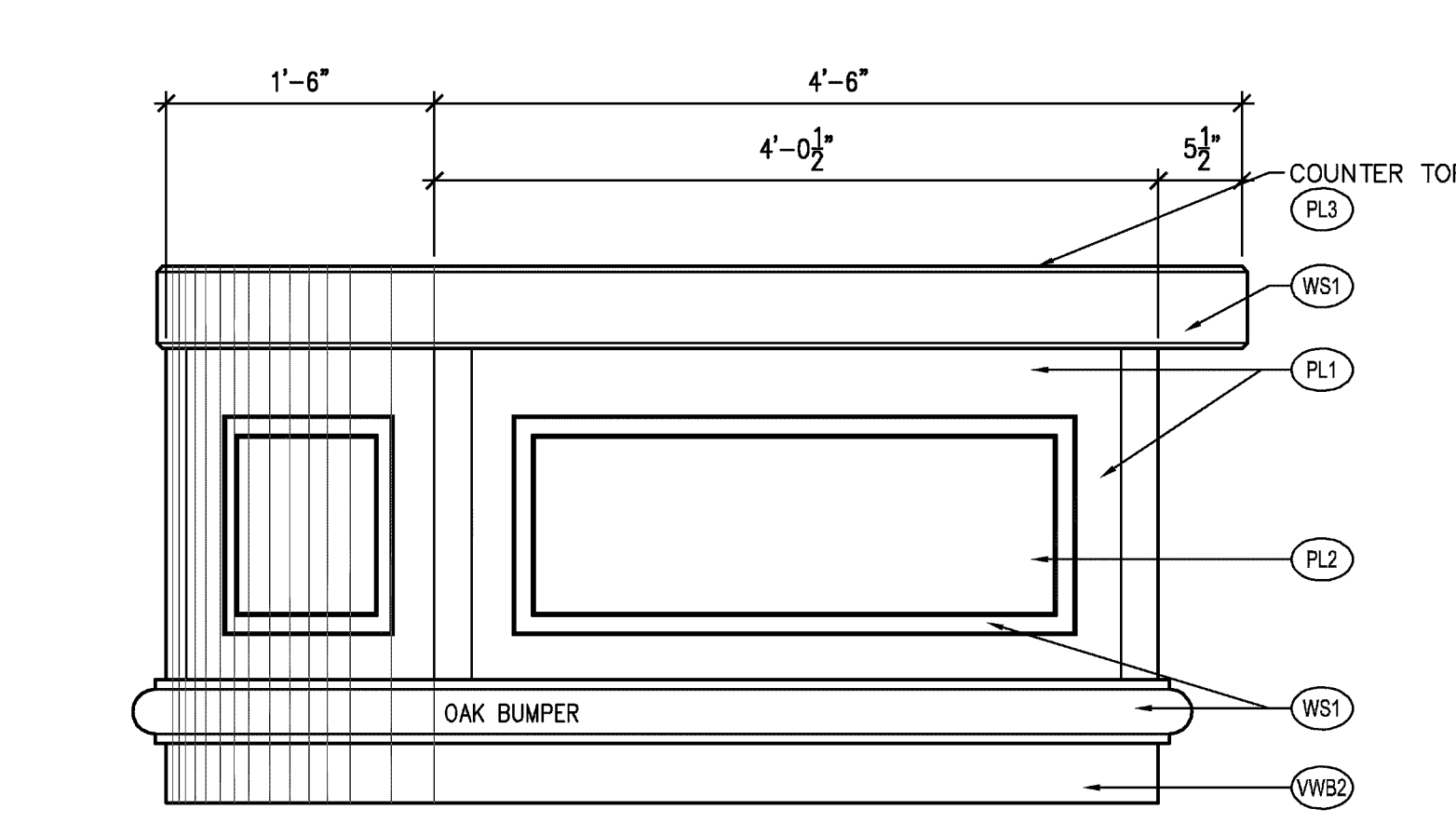
4 ELEVATION AT FLORAL
 SCALE: 1" = 1'-0"



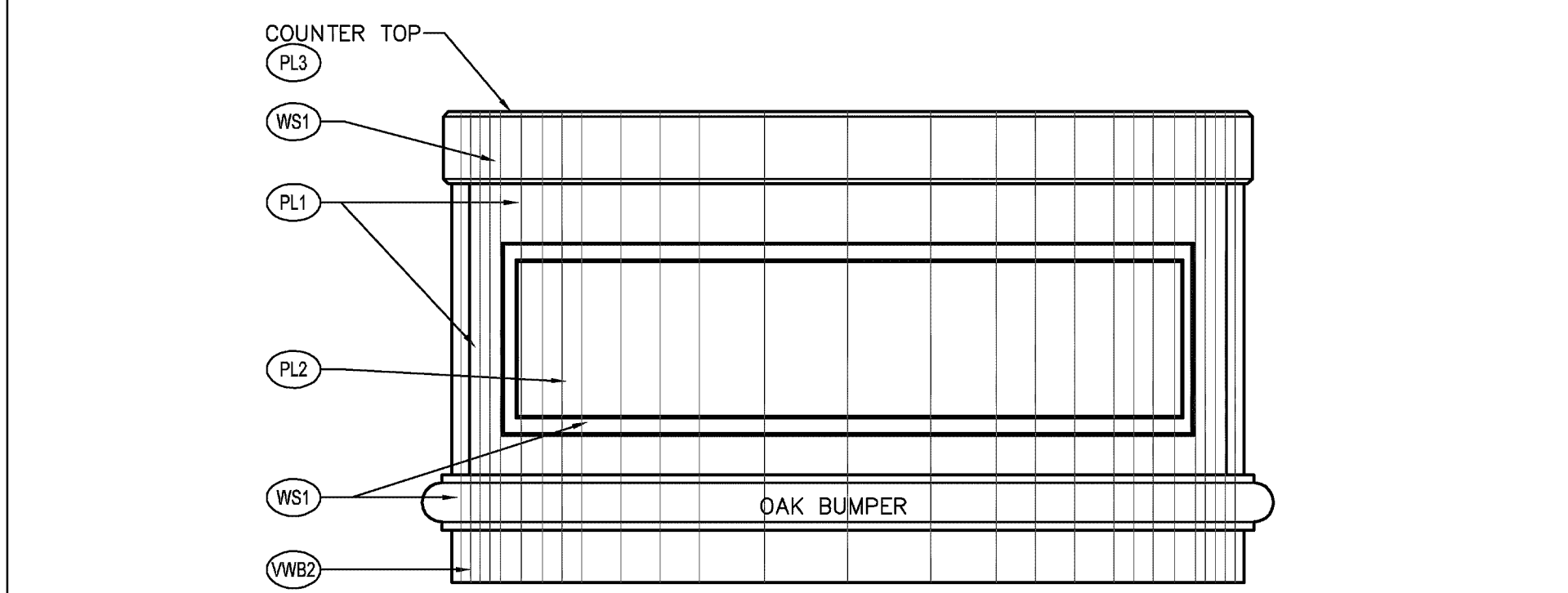
3 SECTION AT FLORAL
 SCALE: 1 1/2" = 1'-0"



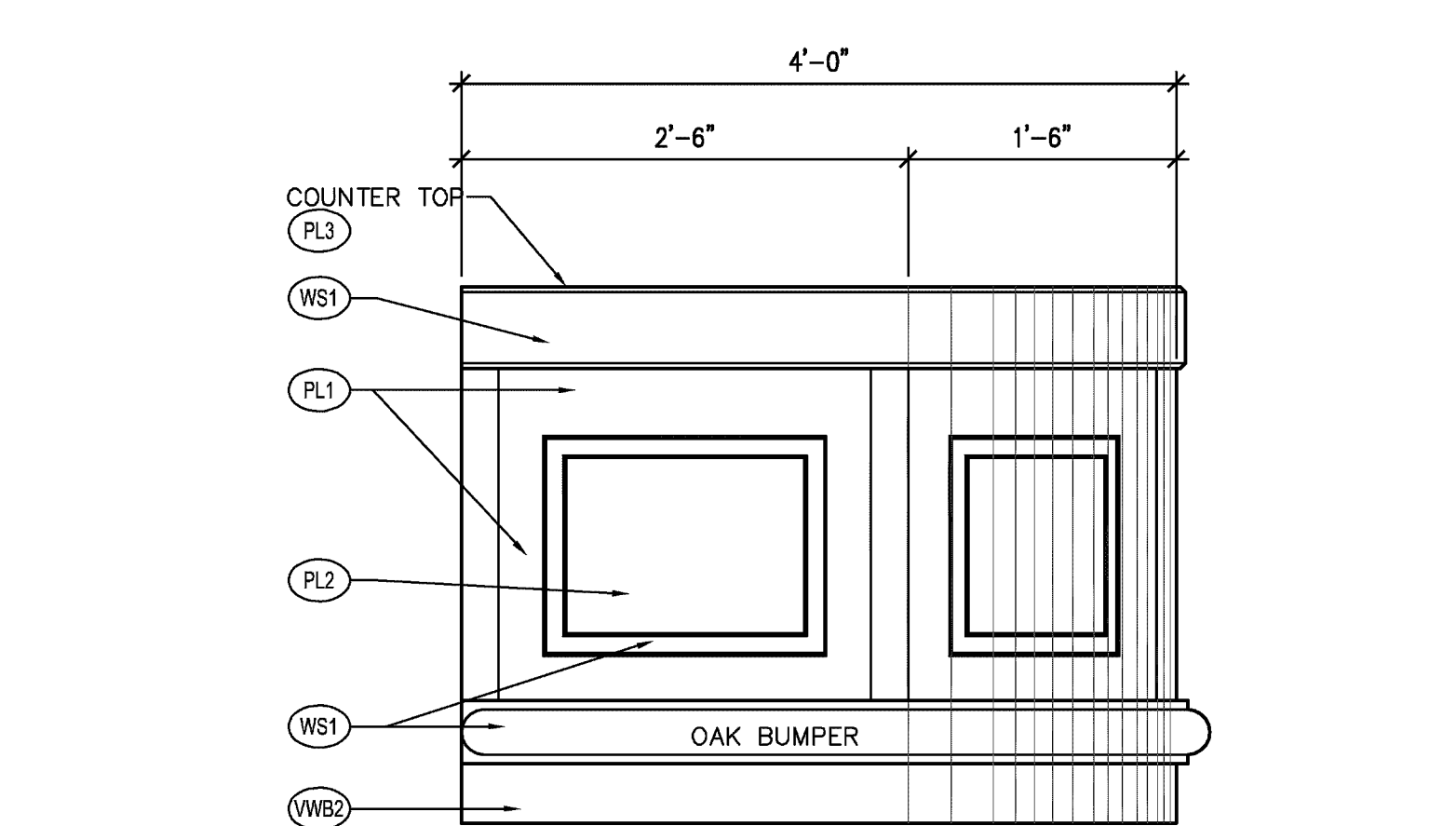
11 MOULDING DETAILS
 SCALE: 3" = 1'-0"



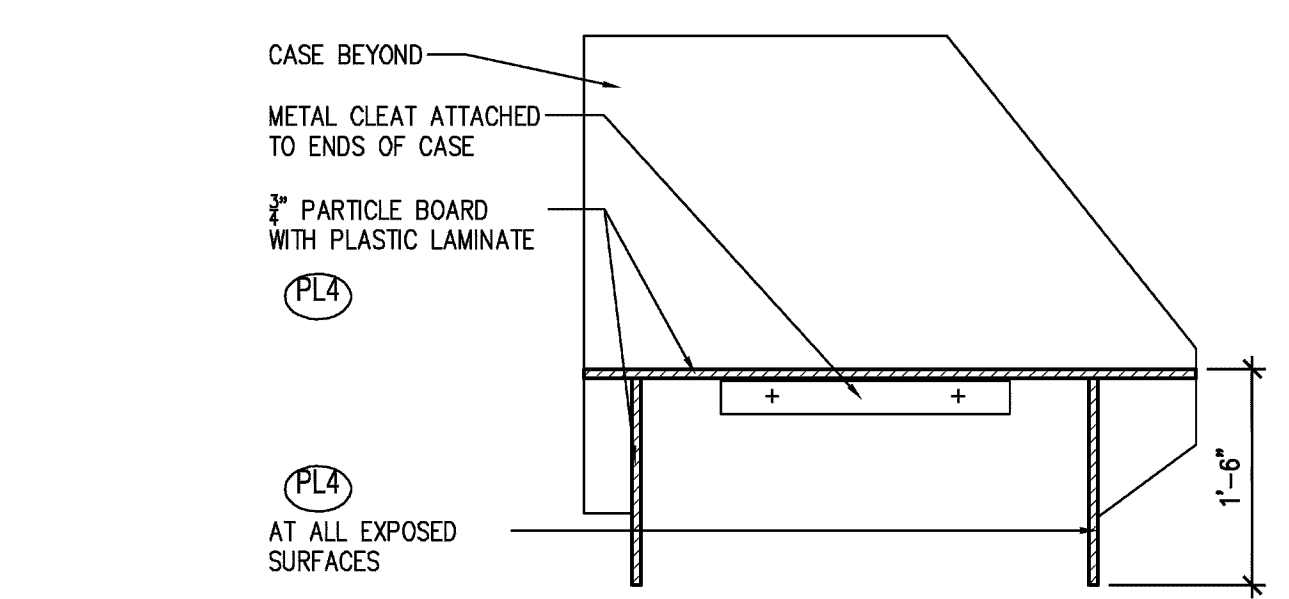
10 ELEVATION AT FLORAL
 SCALE: 1" = 1'-0"



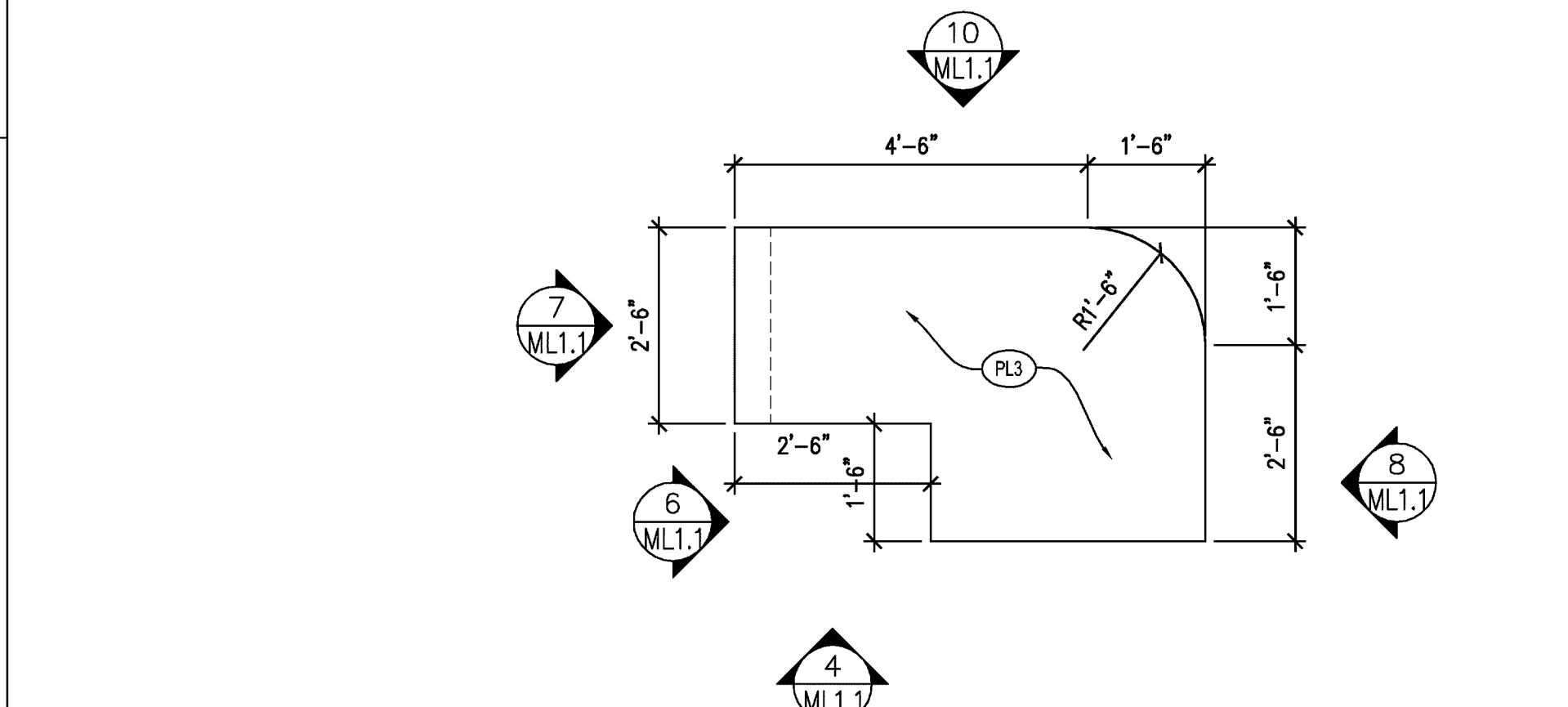
2 ELEVATION AT FLORAL
 SCALE: 1" = 1'-0"



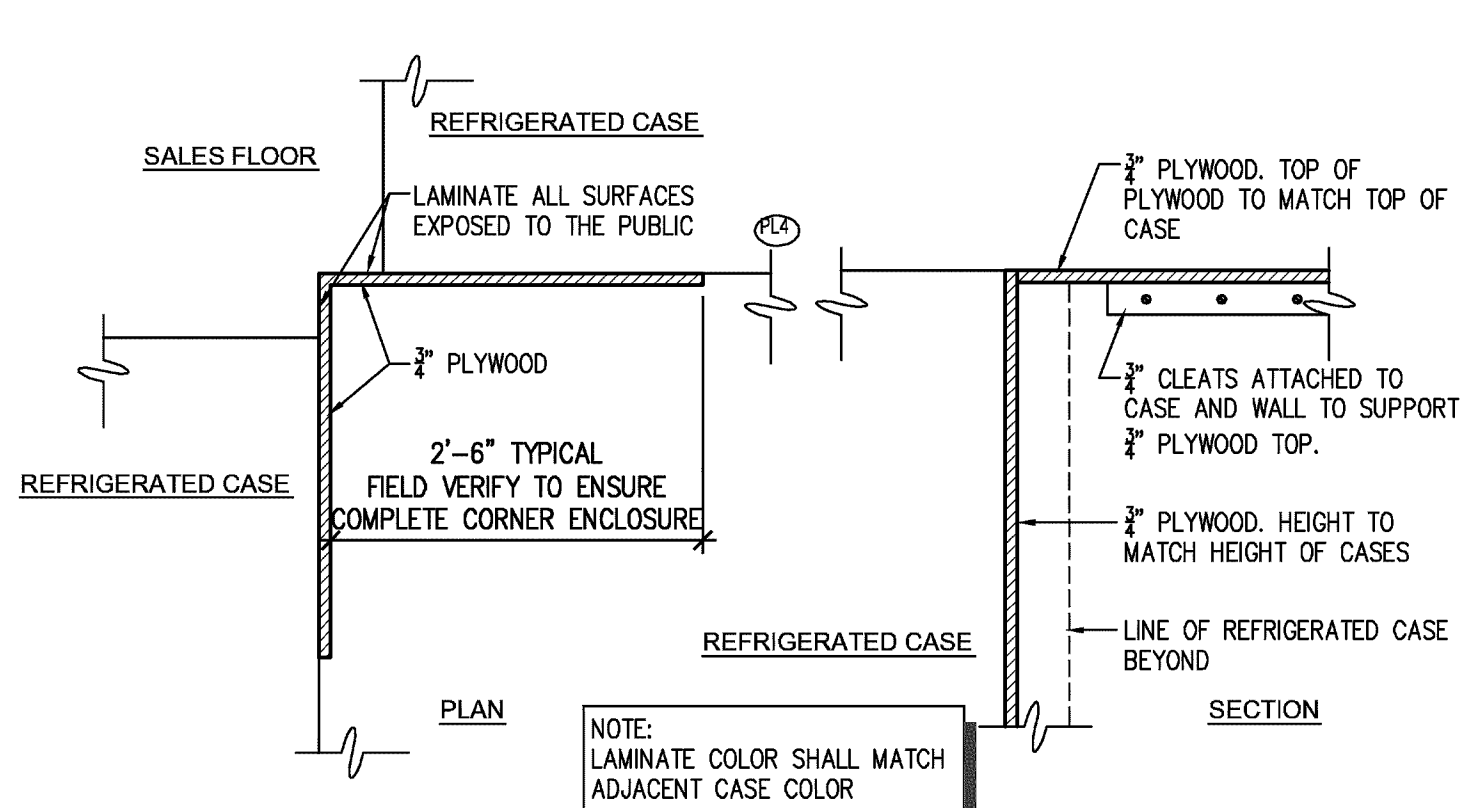
8 ELEVATION AT FLORAL
 SCALE: 1" = 1'-0"



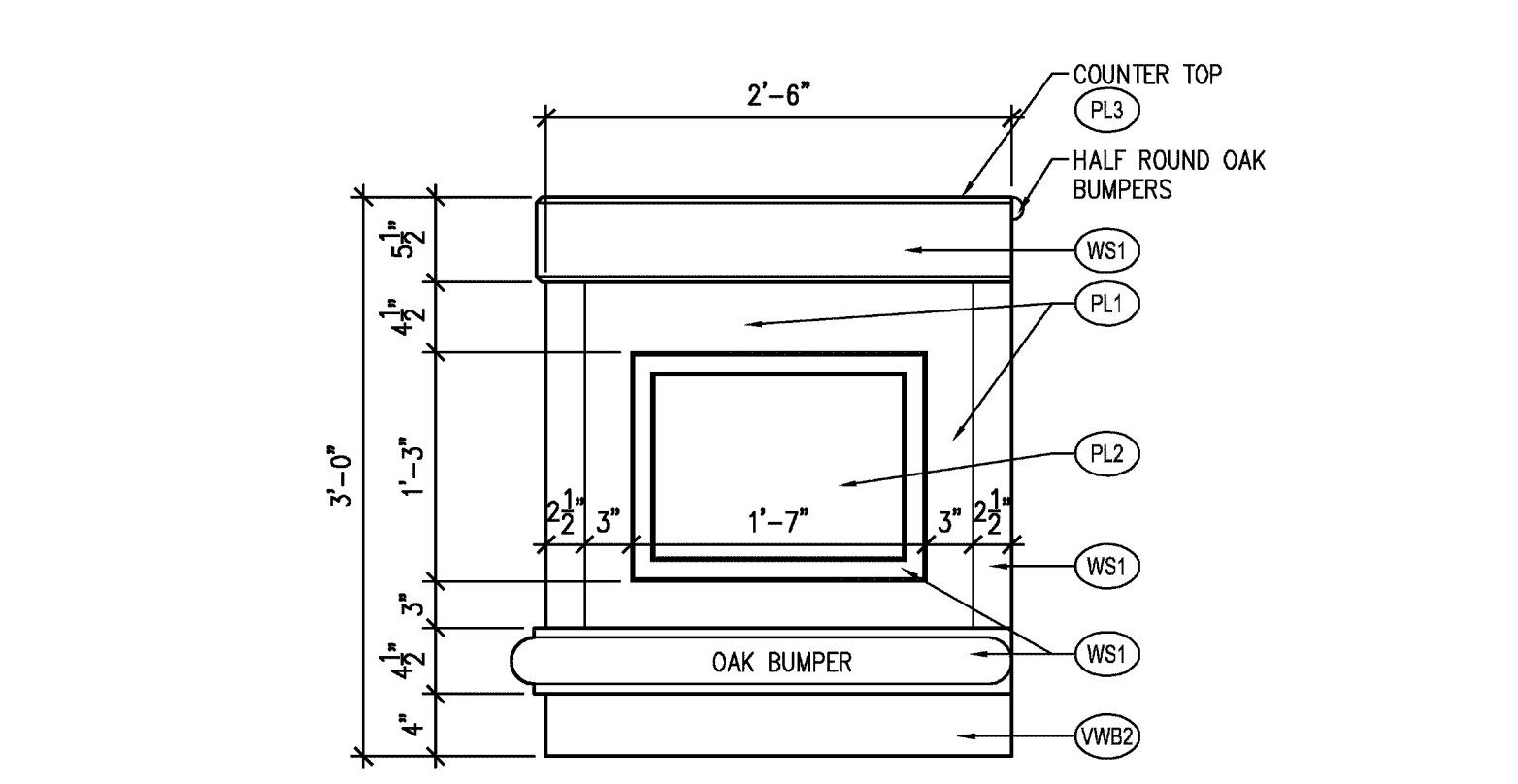
18 TYPICAL WEDGE CLOSURE DETAIL
 SCALE: 3/4" = 1'-0"



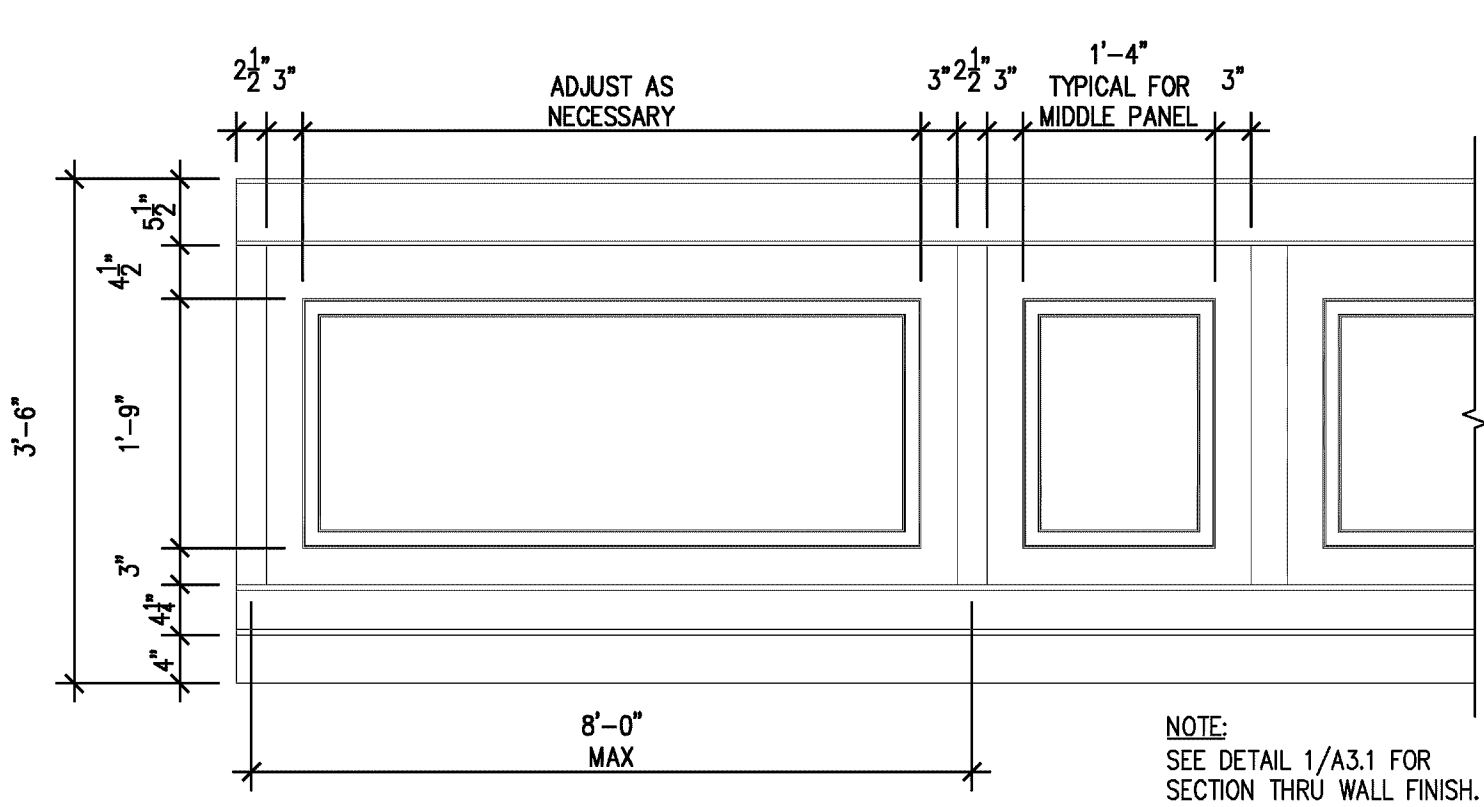
1 PLAN AT FLORAL
 SCALE: 1/2" = 1'-0"



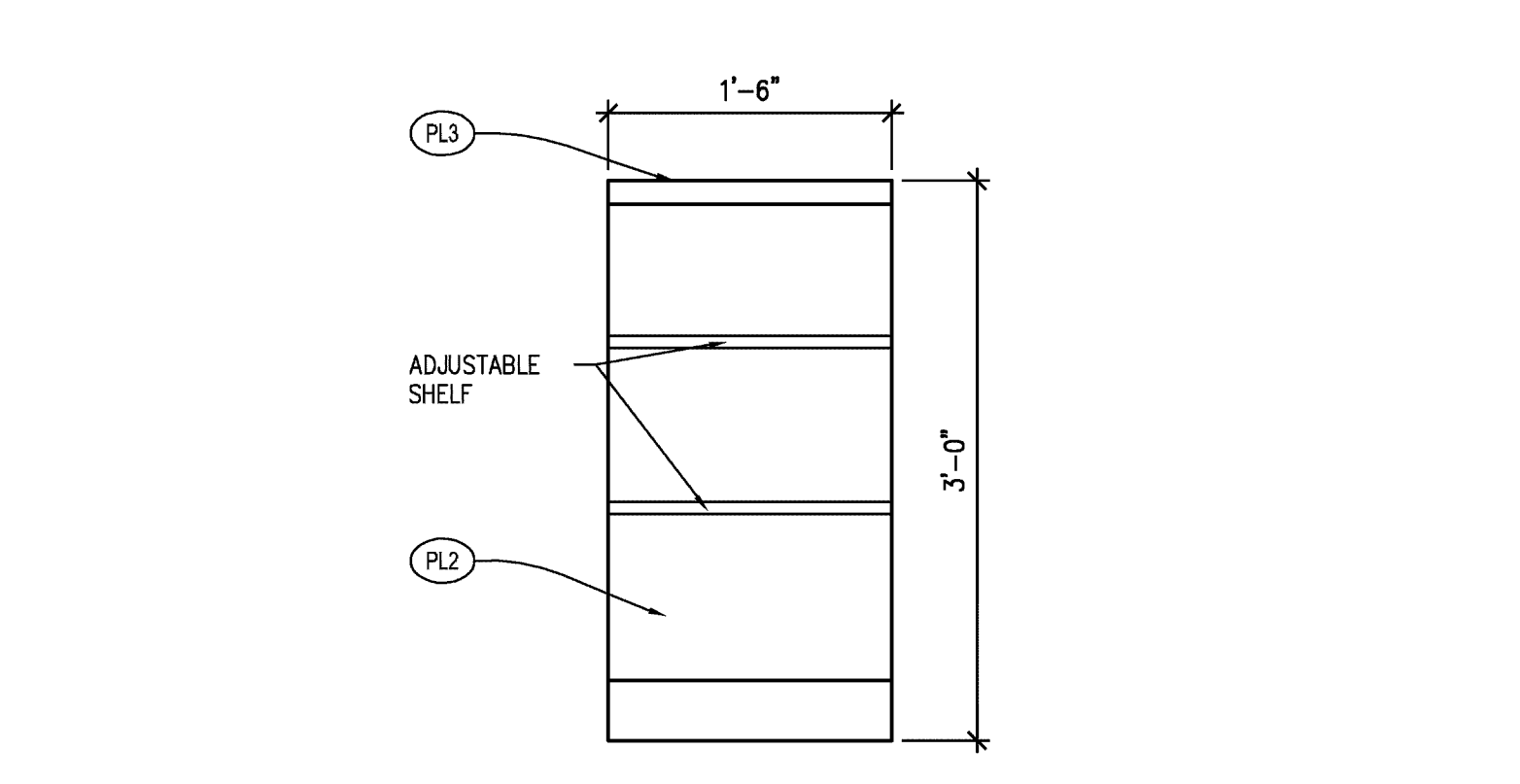
17 CORNER CLOSURE DETAIL
 SCALE: 1" = 1'-0"



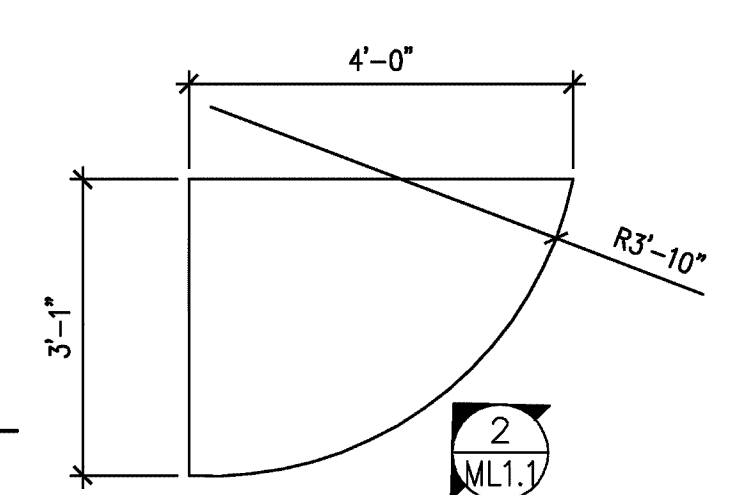
7 ELEVATION AT FLORAL
 SCALE: 1" = 1'-0"



13 ELEV. AT FRONT WALL MILLWORK
 SCALE: 3/4" = 1'-0"



6 ELEVATION AT FLORAL
 SCALE: 1" = 1'-0"



2