

BONDURANT ASSOCIATES
 CORPORATE ENGINEERING
 LICENSE #001624

HARRIS TEETER AND
NORTHWOOD SQUARE
 ROCK HILL, SC

PROJECT NUMBER: RAJAY PHASE
 DATE: 5-17-18
 DRAWN BY: JH
 CHECKED BY:

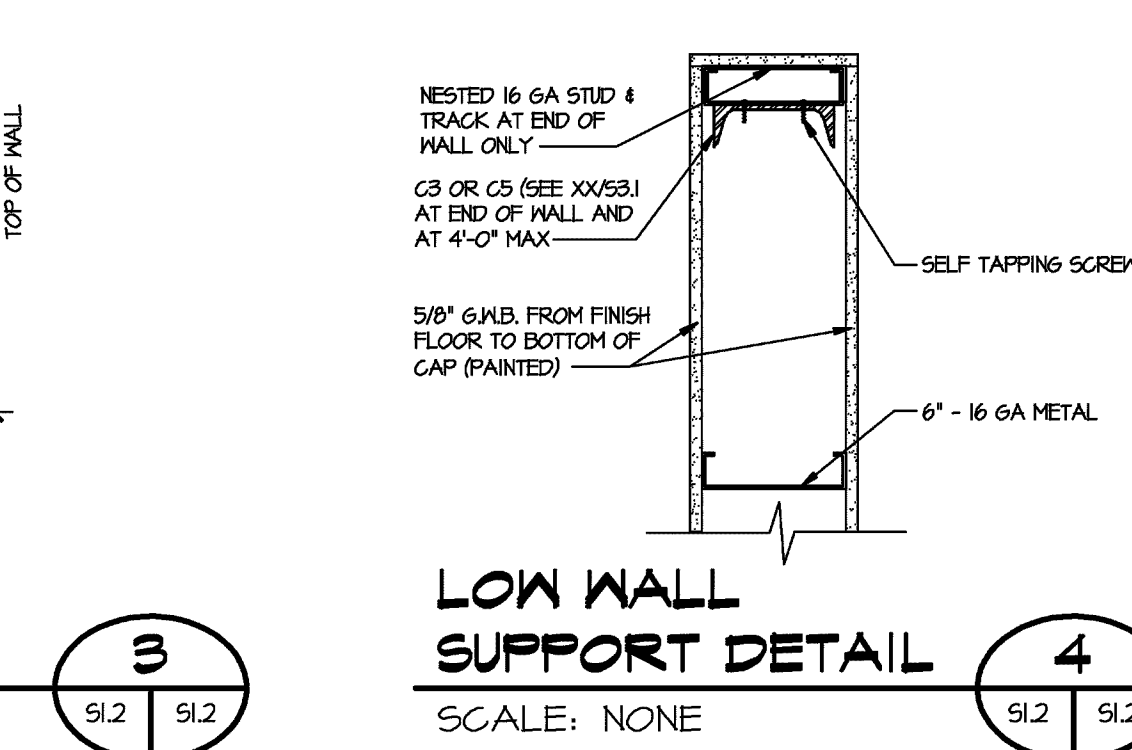
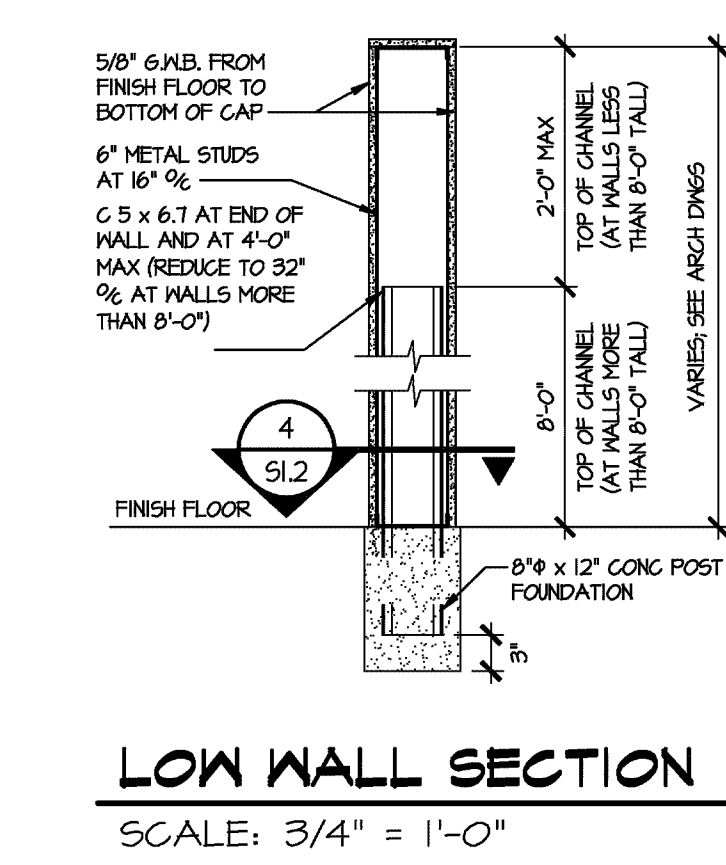
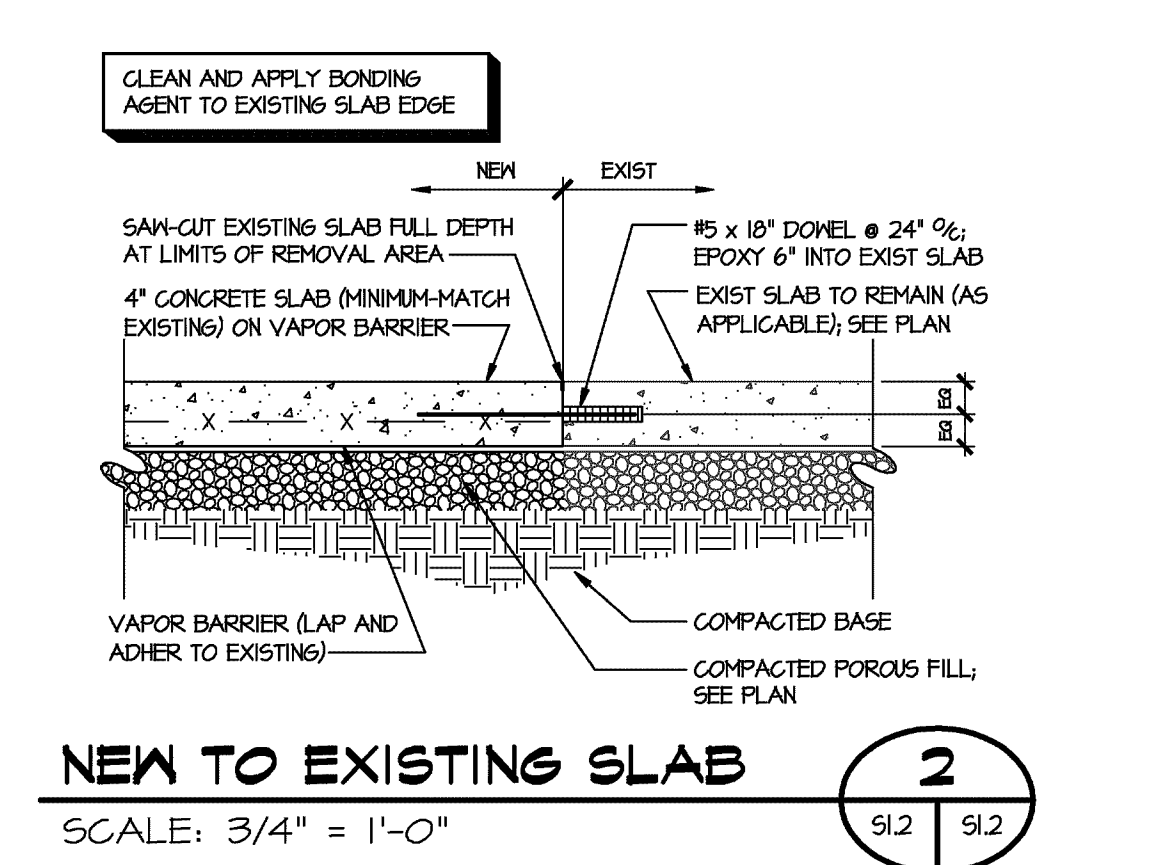
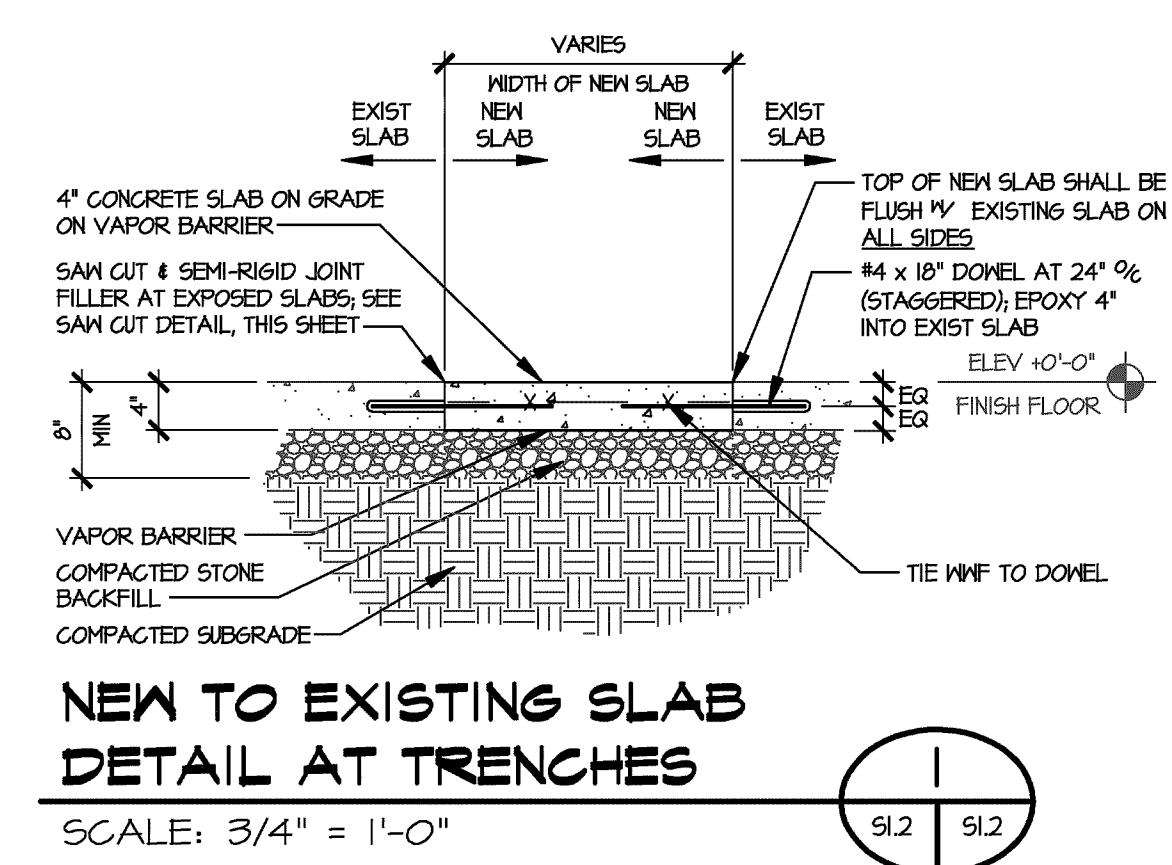
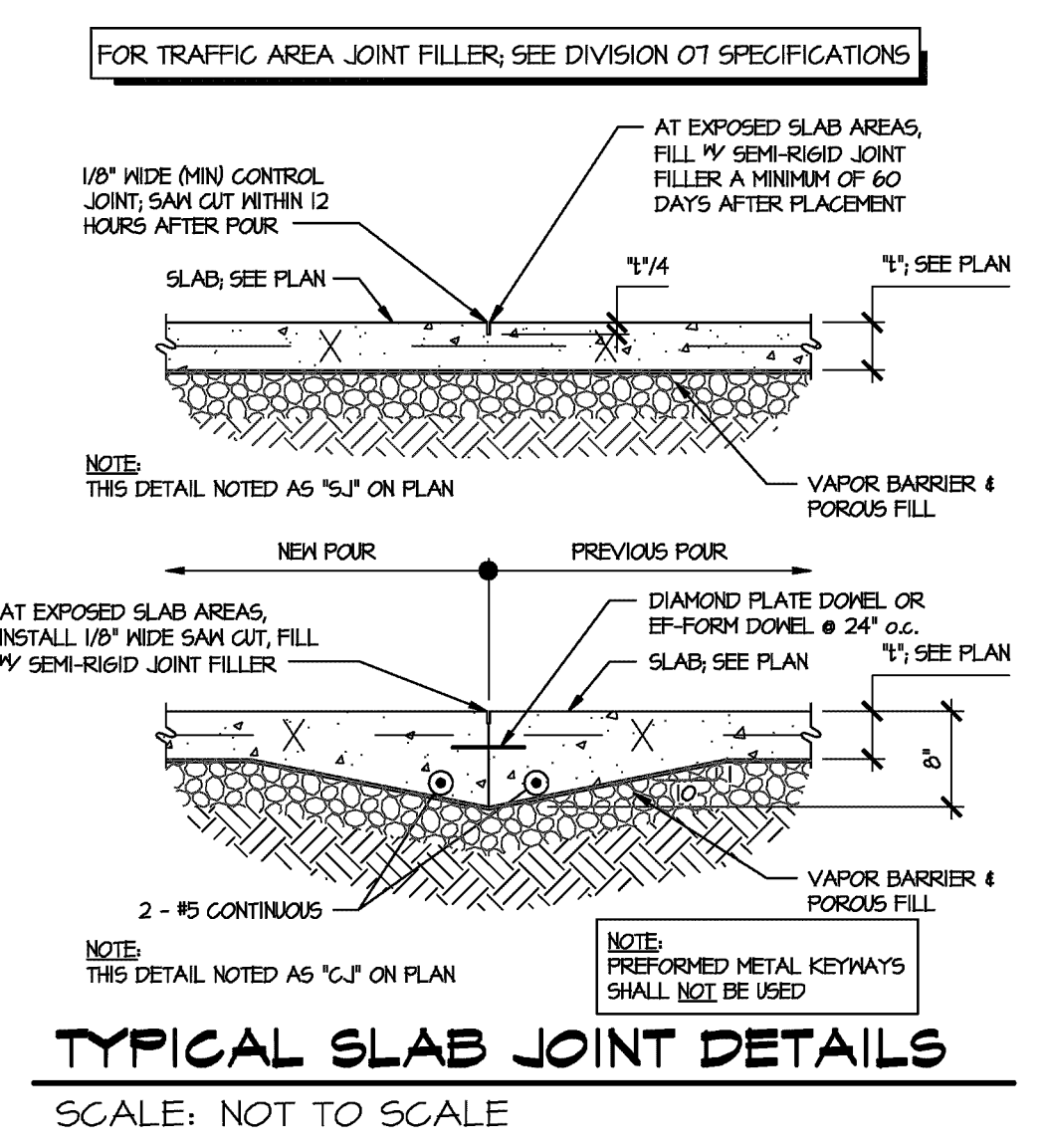
REVISION	DATE
No.	Date
No.	Date
No.	Date
No.	Date
No.	Date
No.	Date
No.	Date
No.	Date
No.	Date
No.	Date
No.	Date

DRAWING NAME

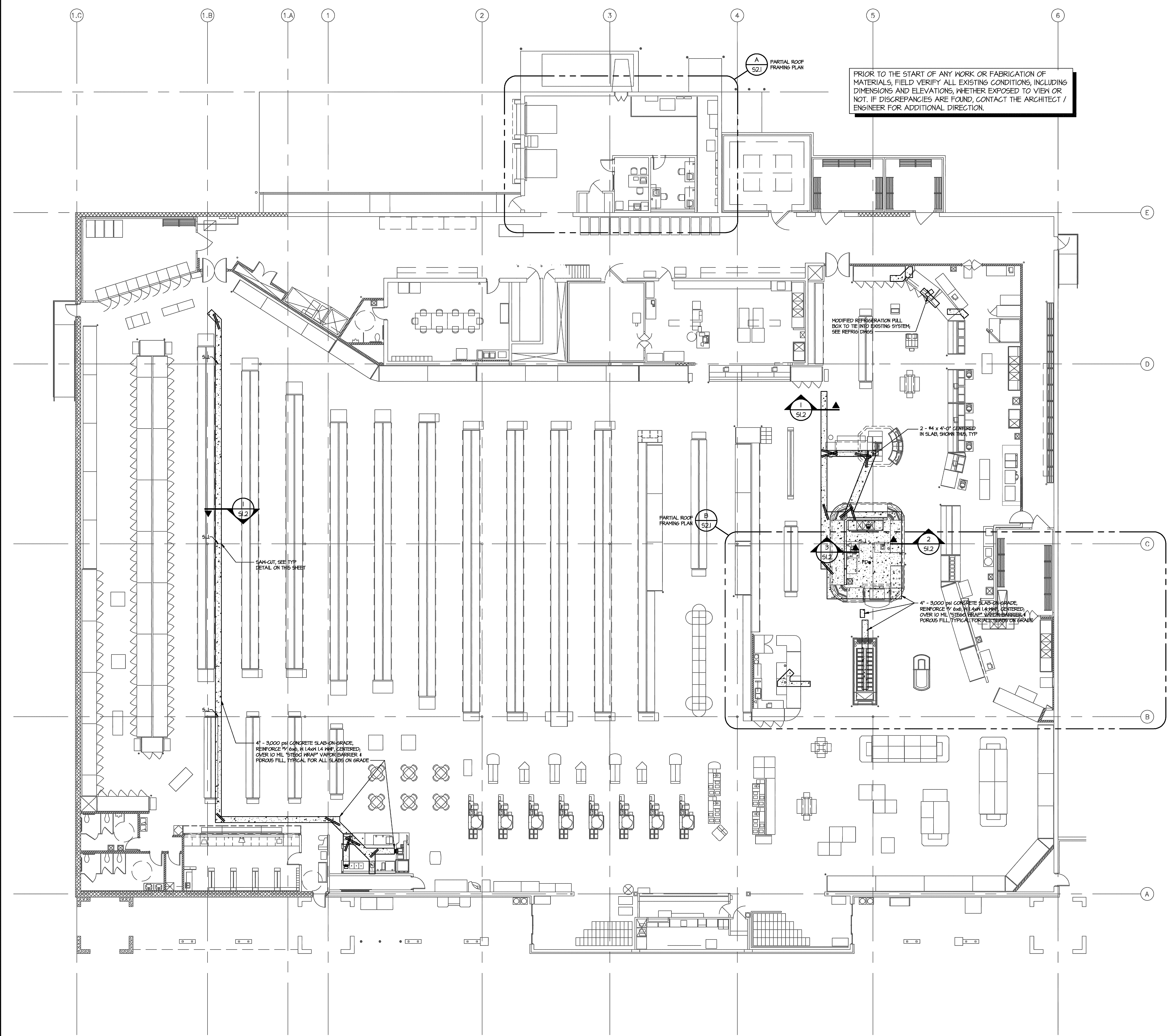
SLAB PLAN

- GENERAL NOTES:**
- GENERAL CONTRACTOR SHALL REFER TO SHEET RT-4 FOR REFRIGERATION LINE PIT SPECIFICATION, DETAILS & LOCATIONS BEFORE POURING SLAB OR FOOTINGS.
 - GENERAL CONTRACTOR SHALL TAKE EXTRA PRECAUTION WHEN POURING CONCRETE SLAB AS NOT TO CRASH REFRIGERATION LINES. REFER TO SHEET RT-4 FOR REFRIGERATION LINE LOCATIONS.
 - THE FLOOR SLAB SHALL SLOPE 1/8" PER FOOT TO DRAIN, NOT TO EXCEED 1" BELOW FINISH FLOOR IN ALL AREAS WHERE FLOOR DRAINS OCCUR (SEE FLOORING DRAWINGS).
 - SOIL UNDER NEW SLAB AREAS TO BE TREATED FOR TERMITES PROTECTION (SEE SPECIFICATIONS).
 - NO EXPANSION JOINT MATERIAL SHALL BE USED AROUND COLUMNS, ONLY POLY. CALK; ALL JOINTS AT SLAB AND WALL JUNCTIONS WITH CLEAR SILICON.

- LEGEND:**
- SOLID FILLED CMU WALL
 - CMU WALL
 - BRICK WALL
 - FIELD VERIFY
 - 6" SHALL CONFORM DIMENSIONS BY HARRIS-TEETER CONSTRUCTION SUPERVISOR
 - THICKENED SLAB
 - SLAB CONSTRUCTION JOINTS (CJ) SEE DETAILS THIS SHEET
 - SLAB SAWCUT JOINTS (SJ) SEE DETAILS THIS SHEET
 - CONCRETE WITHOUT SEALER
 - EPoxy COATING (NET GARE, COORDINATE FINISHING REQUIREMENTS BY EPoxy INSTALLER) 1/8" DEPRESSION AT PERIMETER
 - STUD PARTITION OR COOLER/FREEZER PANEL



PRIOR TO THE START OF ANY WORK OR FABRICATION OF MATERIALS, FIELD VERIFY ALL EXISTING CONDITIONS, INCLUDING DIMENSIONS AND ELEVATIONS, WHETHER EXPOSED TO VIEW OR NOT. IF DISCREPANCIES ARE FOUND, CONTACT THE ARCHITECT / ENGINEER FOR ADDITIONAL DIRECTION.



EXISTING & NEW SLAB PLAN
 SCALE: 3/32" = 1'-0"