

Finish Materials

Finish- Wall Treatment (Length)				
Design ID	Length	Description	Responsibility	Comments
Wall Finishes- Coverings				
12173	55'-5 1/2"	Chair Rail- 4in (100mm)	GC	W00016
12199	73'-7"	Vinyl-Wall Covering- Dark Vertical Stripes- 48in (1220) AFF	GC	Koroseal- Linear, Color: Black
Finish- Wall Treatment (Area)				
Design ID	Area	Description	Responsibility	Comments
12697	21 SF	Tile- Mottled Cream- 3X12in 75X305mm	GC	UP1262 Tile- Imitation Clay, Color: Blanco, Grout Specification 003; Metal GC- Primer: Latigrate 7in- Sterling Silver
Finish- Floor Treatment				
Design ID	Area	Description	Responsibility	Comments
	965 SF	VCT Tile - 17.7x17.7in 450x450mm	GC	Tile - Chocolate Linestate
Finish- Paint				
Color Code	Name	LRV	Responsibility	Comments
P554-ES	Paint P554- Eggshell	36	GC	STARBUCKS: See Note D1-1 Primer; NCS- S3005 Y20R; Akzo Nobel- 4017 44/095
Finish- Wall Base				
Design ID	Length	Description	Responsibility	Comments
Base- Tile				
x0201	80'-7 1/2"	6" Vinyl Base- Black	GC	Repps. GC to provide enough material for Starbucks area and kiosk
Finish- Wood Stain				
Design ID	Length	Description	Responsibility	Comments
W00016		Chair Rail Stain	GC	Mountain Lumber - "Distressed Antique Oak"

GENERAL NOTES:

A. THE GENERAL CONTRACTOR SHALL PROVIDE 4" VINYL BASE AT ALL AREAS OF WALL NOT COVERED BY FIXTURES OR MILLWORK.

B. THE GENERAL CONTRACTOR SHALL PROVIDE BLOCKING IN WALL AS NECESSARY WHERE OWNER SUPPLIED EQUIPMENT/ACCESSORIES ARE TO BE INSTALLED. VERIFY WITH HT PM.

C. DIMENSIONS INDICATED ARE TO FACE OF CMU, CENTERLINE OF METAL STUDS, OR CENTERLINE OF DOOR UNLESS OTHERWISE NOTED. G.C. TO VERIFY EXISTING DIMENSIONS PRIOR TO CONSTRUCTION.

D. GRIND FLAT ALL CONTROL AND SAW JOINTS IN CONCRETE PRIOR TO TILE INSTALLATION.

E. G.C. TO PROVIDE A 8"x8"x1/8" S.S. PLATE FOR ALL FLOOR CLEAN OUTS IN ENTIRE SALES AREA.

F. THE G.C. SHALL FIELD VERIFY ALL DIMENSIONS AND INFORM THE ARCHITECT OF ANY DISCREPANCIES OR UNUSUAL CONDITIONS ENCOUNTERED IN THE FIELD.

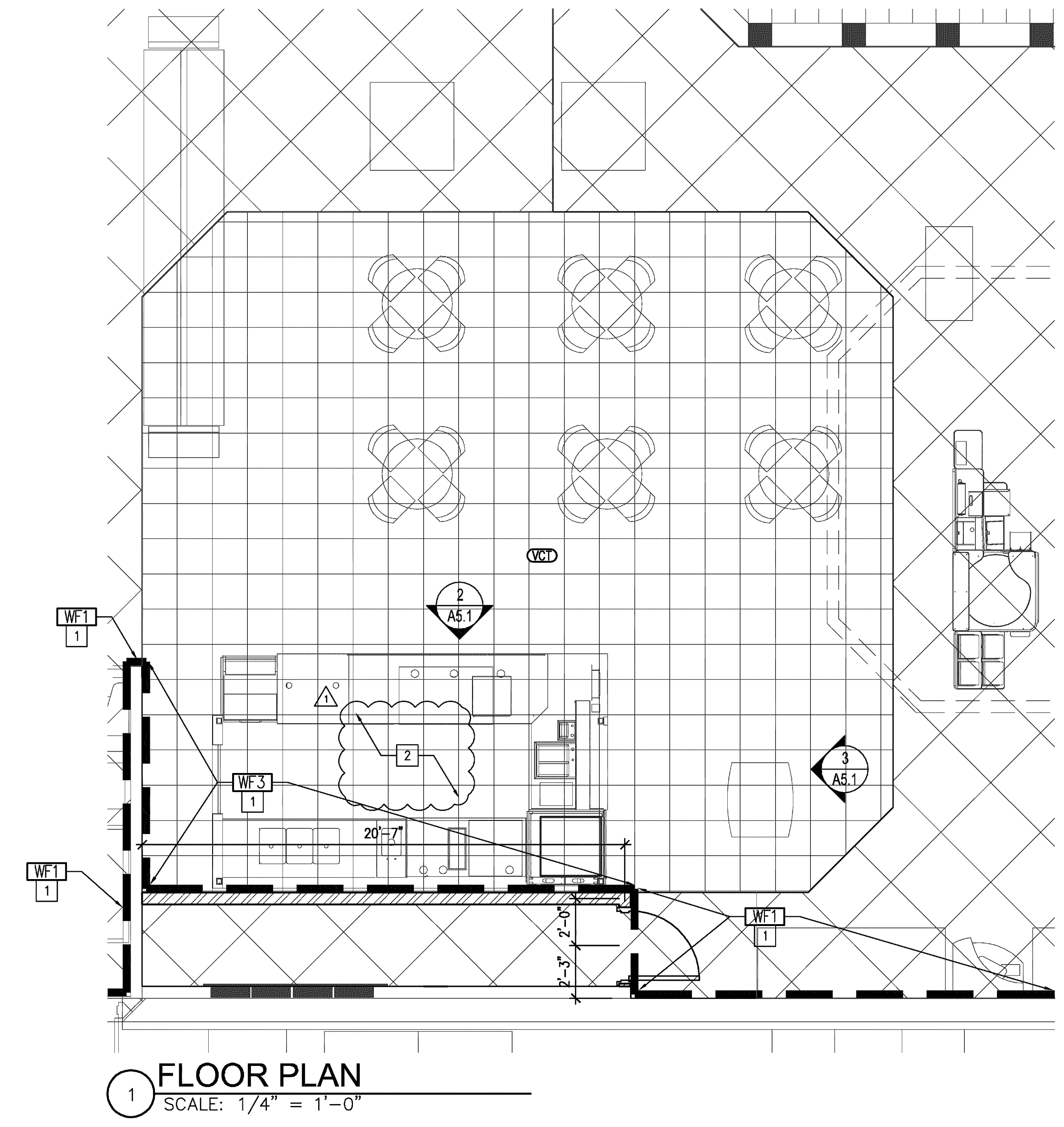
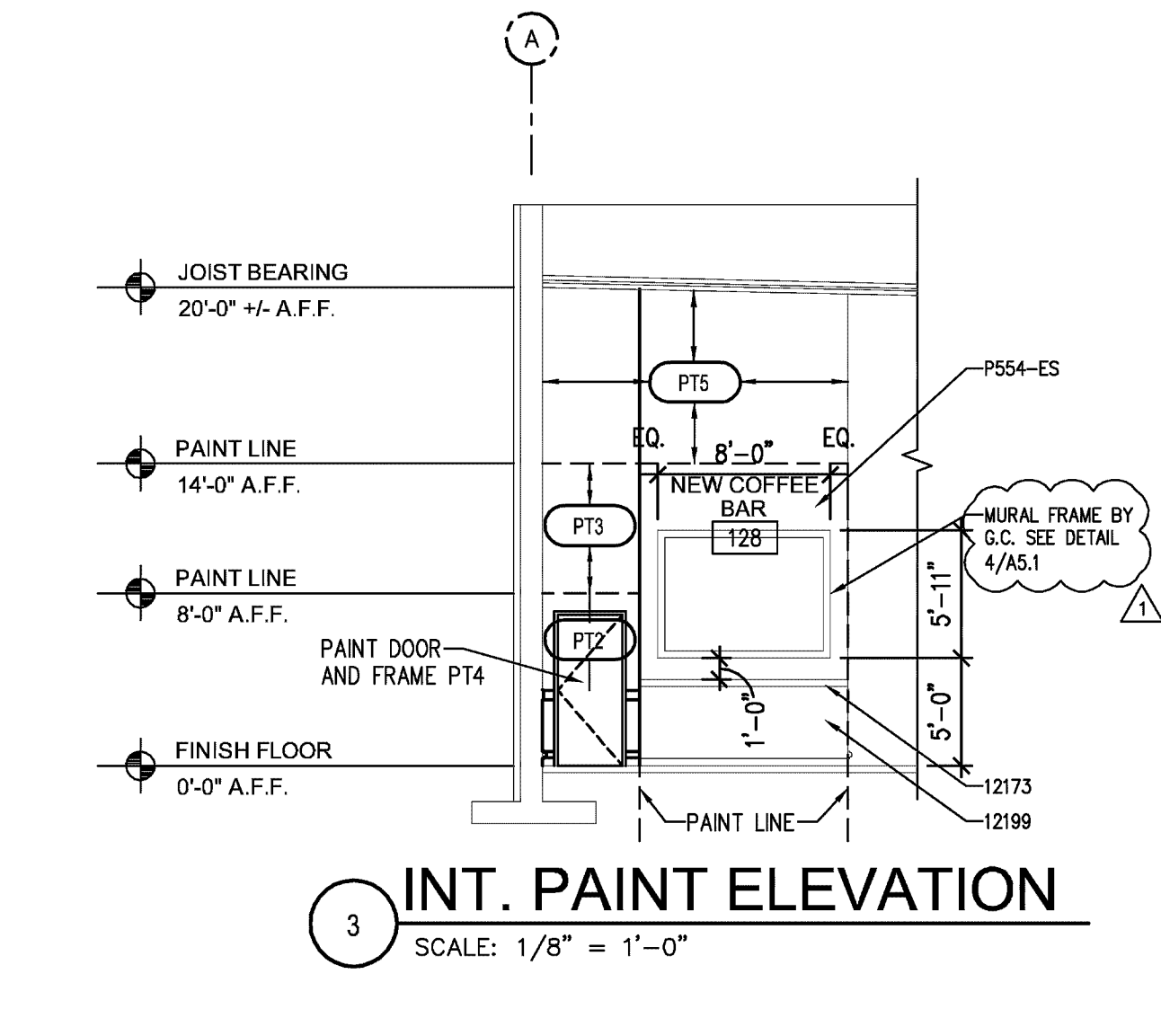
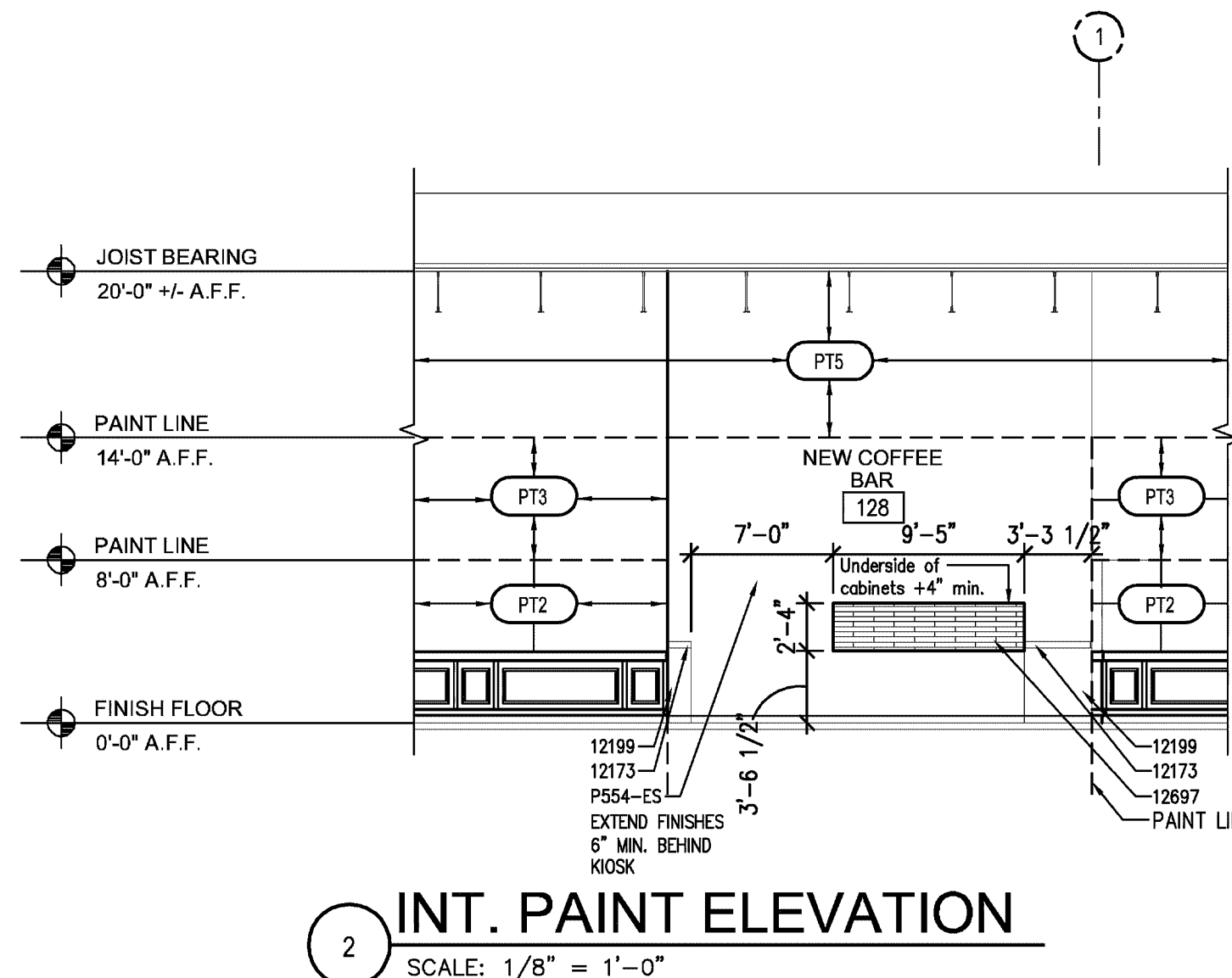
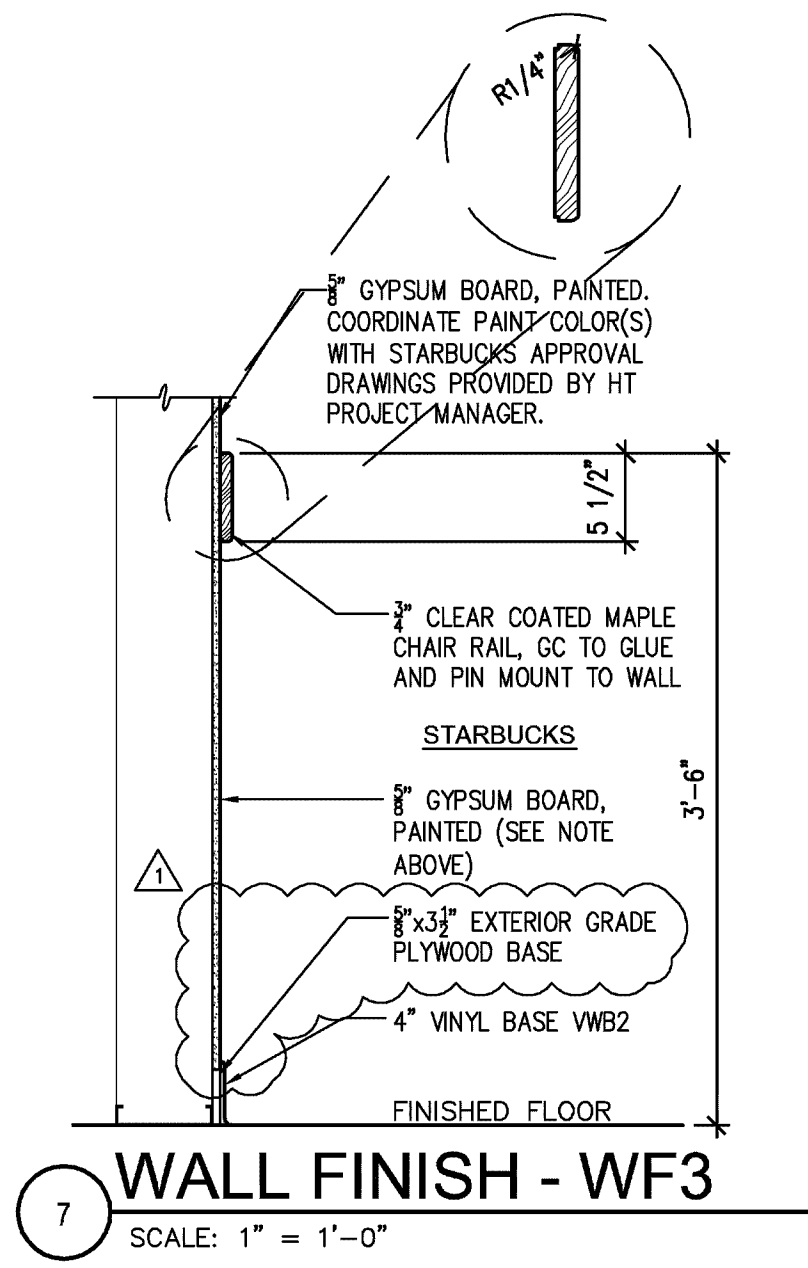
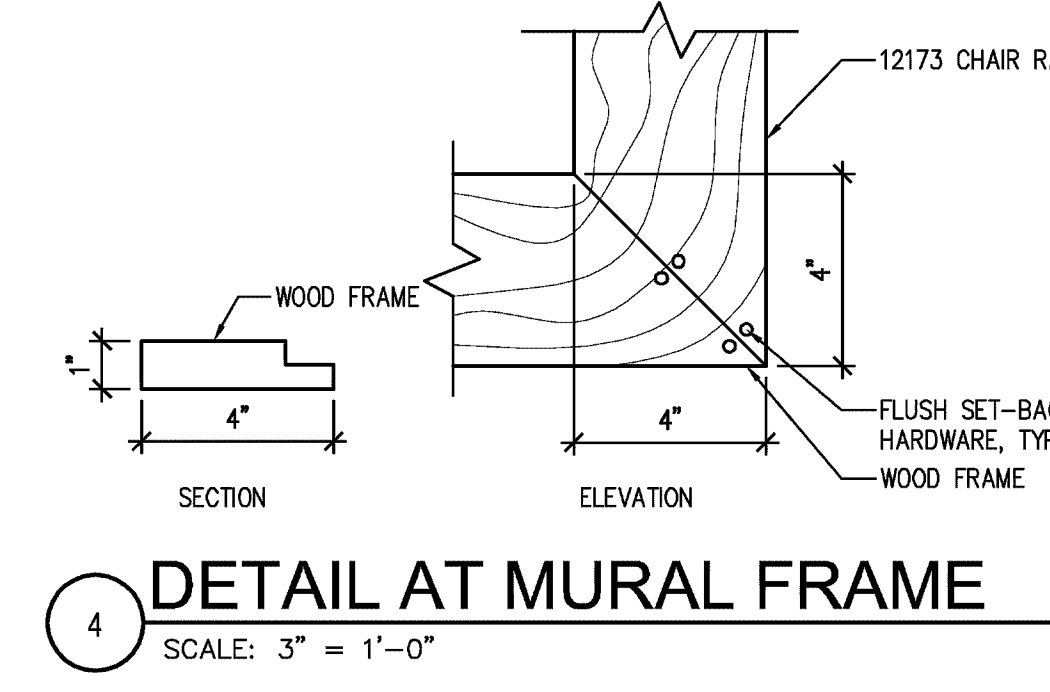
KEY NOTES:

PROVIDE AN ADDITIONAL COAT OF SEALER OVER ALL CLEAR FINISHED WOOD TRIM, CHAIRRAIL AND MOLDINGS AFTER FINAL INSTALLATION.

G.C. TO PROVIDE SPRINKLER HEAD(S) IN NEW KIOSK CEILING AS REQUIRED BY LOCAL JURISDICTION. VERIFY REQUIREMENTS IN FIELD WITH FIRE INSPECTOR. SEE PLUMBING DRAWINGS FOR ADDITIONAL INFORMATION.

FLOOR FINISH NOTES:

1. VINYL COMPOSITION TILE (VCT)



PROJECT MANAGER
Rogayeh Brown

JOB NO:
12-HT149-02

DR. BY:
JZH

REVISIONS	Date
No. 1	05.08.12
No. _____	Date _____
No. _____	Date _____
No. _____	Date _____
No. _____	Date _____
No. _____	Date _____
No. _____	Date _____
No. _____	Date _____
No. _____	Date _____
No. _____	Date _____