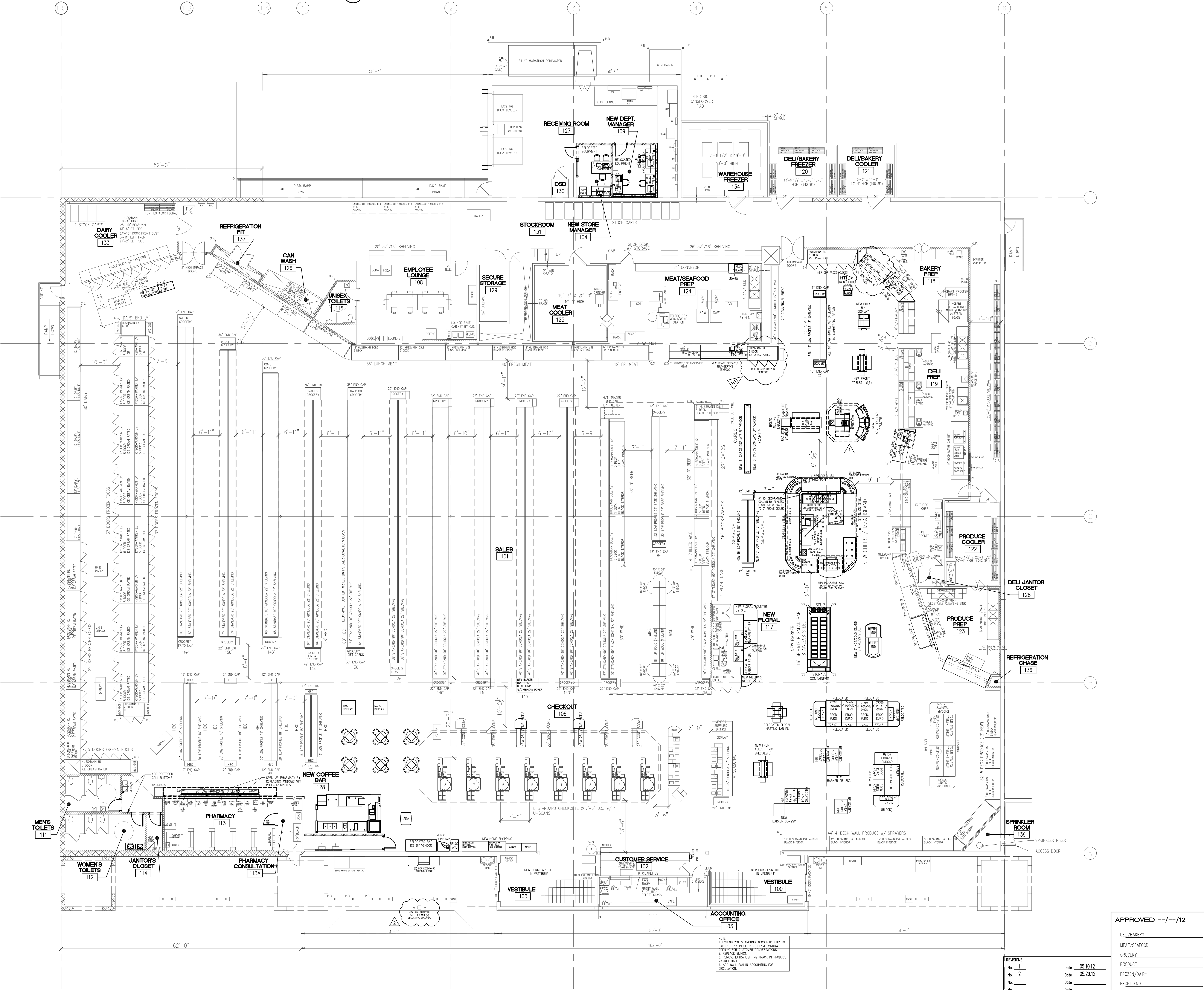
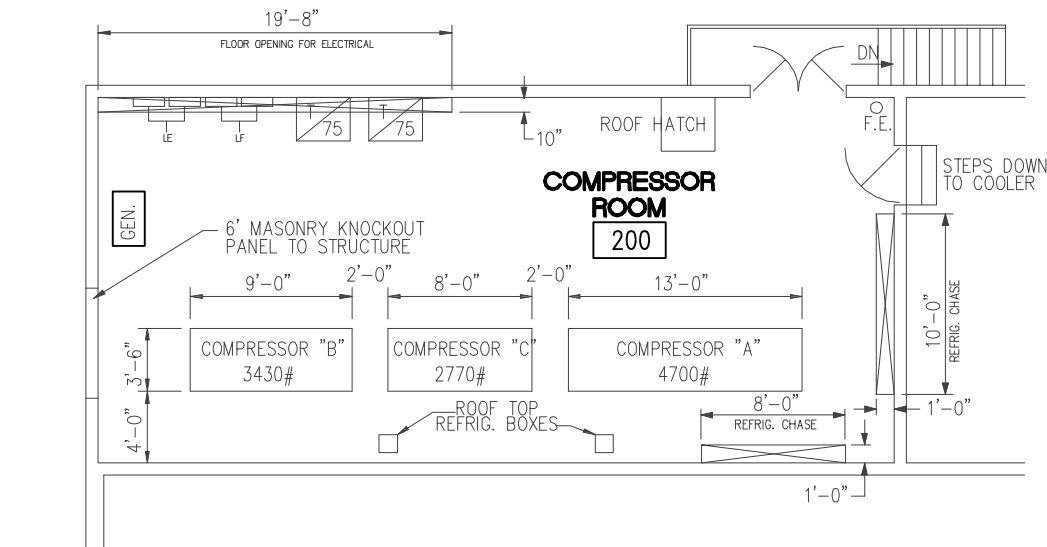


2 MOTOR ROOM PLAN
SCALE: 3/32" = 1'-0"



1 FIXTURE PLAN
SCALE: 3/32" = 1'-0"

CONST SQ. FT.	48K		EXIST		PROP	
	49905 SF	45089 SF	45089 SF	44101 SF	44101 SF	
TOTAL CONSTRUCTION SQUARE FOOTAGE	49905 SF	45089 SF	45089 SF	44101 SF	44101 SF	
EXTERIOR SQ. FT. FOOTPRINT	48505 SF	44101 SF	44101 SF	44101 SF	44101 SF	
INT SQ. FT.						
SALES	34164 SF					
DBT ROOM						
STORE MANAGER						
DEPARTMENT MANAGERS						
EMPLOYEE LOUNGE						
SMOKERS LOUNGE						
EMPLOYEE RESTROOMS						
PUBLIC RESTROOMS						
CONFERENCE ROOM						
SECURE STORAGE						
GARMENT AND FLOOR MATH						
DSO OFFICE						
JANITORIAL CLOSET						
PHARMACY						

OPTIONS	BASIC		FLAGSHIP		SUPERFLAG		URBAN UPSCALE	
	YES	NO	YES	NO	YES	NO	YES	NO
STORE TYPE (DECOR & LIGHTING)								
MEZZANINE SIZE: SMALL								
MEZZANINE SIZE: LARGE								
FRESH FOODS/FRONT CANNOPY COLOR								
FRONT END CANNOPY								
GREEN CASES THROUGHOUT STORE								
STAINLESS STEEL CASES IN MARKET HALL								
STAINLESS STEEL CASES (DELI/MEAT HALL)								
MIRROR KITS ON PRODUCE & MEAT CASES								
ECOVISION DOORS ON CASES								
ADD FROZEN DOOR CASES-MEAT/SEAFOOD/CASE								
SHELVING COLOR - GREEN								
CHEESE ISLAND - P1 715 CASE								
ASIAN PROGRAM								
AMERICAN PROGRAM								
PIZZA PROGRAM								
LA BREA KIOSK								
MEAT DEAL								
COFFEE MILLWORK & VENDING								
STARBUCKS								
FRONT END/STARBUCKS OPTION: BUGGE LAYOUT								
PHARMACY								
PHARMACY DRIVE THRU								
SALAD BAR - 12'								
WINE SHELVING - BK/HP/WTL & WD/AP								
WINE STATION - 5 1/2 UNIT								
WINE CANNOPY - BASIC								
LOBSTER TANK								

WK-IN COOLERS	EXIST	PROP
DELI/BAKERY COOLER	177 SF	198 SF
DELI/BAKERY FREEZER	376 SF	243 SF
PRODUCE COOLER	320 SF	320 SF
MEAT COOLER	336 SF	385 SF
DARY COOLER	515 SF	515 SF
WAREHOUSE FREEZER	436 SF	426 SF
BEER COOLER	000 SF	000 SF

SALES AREA CASES	EXIST	PROP
FROZEN (READY-TO-EAT)	112 DOORS	103 DOORS
FROZEN (COFFIN)	00 SF	00 SF
BEER	70 SF	74 SF
BEER COOLER	00 DRS	00 DOORS
CHILLED WINE	12 LF	4 LF
DARY (FRONT LOAD)	104 LF	94 LF
DARY (DECK LOAD)	9 DOORS	9 DOORS

REVISIONS

- 12.22.11 - MERCHANDISING COMMENTS BY REK
- 1. UPDATED LA BREA KIOSK AND TABLES
- 2. UPDATED CHICKEN MERCHANDISER WITH 4' NOTICED MODEL
- 3. REPLACED 4' ONLY PREPARED P10 WITH 4' P10 AND 4' FT-46
- 4. REPLACED 4' ONLY PREPARED P10 WITH 4' P10 AND 4' FT-46
- 5. REPLACED 12' FROZEN SEAFOOD CASE WITH 3-DOOR RL
- 6. REPLACED 12' P-1 PRODUCE CASE WITH 12' DISPLAY
- 7. REPLACED 4' ISLE CASE WITH 4' COOLER
- 8. OPENED UP PHARMACY BY REPLACING FIXED WINE RACKS WITH 4' ISLANDS
- 9. ADDED CALL BUTTONS TO RESTROOMS
- 10. ADDED PORTABLE TUB TO BOTH RESTROOMS
- 11. ADDED ELECTRICAL FOR LED COSMETIC LIGHTING
- 12. UPDATED PRODUCE LAYOUT AND ADDED 98' REFRIGERATED TABLES
- 13. MOVED DONUT CASE ADJACENT TO BAKERY P10
- 14. CONVERTED 12' FROZEN CASE TO 5-DOOR RL

1.15.13 - MERCHANDISING COMMENTS BY REK

- 1. REMOVED 16' SEASONAL CONSOLE AND 17' CHEESE ISLAND AND ADDED PIZZA/CHEESE ISLAND
- 2. RELOCATED FRONT END EQUIPMENT AND ADDED HOME SHOPPING
- 3. ADDED 12' SALAD BAR
- 4. ADDED MEAT DEAL ENDCAP

1.20.12 - MERCHANDISING COMMENTS BY REK

- 1. ELIMINATED SHORT LP COMMERCIAL BAKERY DONUTS
- 2. MOVED CHEESE/PIZZA KIOSK TOWARD REAR OF BUILDING TO MAKE ROOM FOR SALAD BAR AND CHICKEN MERCHANDISER
- 3. CONVERTED 54" OF 16" GROCERY CONSOLE TO COMMERCIAL BAKERY KIOSK AND STAINL. IS DEPT. MANAGER AND STORE MANAGER LOCATIONS
- 4. REMOVED DEPT. MANAGER AND STORE MANAGER TO BACK OF HOUSE
- 5. ELIMINATED PRODUCE BINE TO MAKE ROOM FOR SALAD BAR AND CHICKEN MERCHANDISER

1.29.12 - MERCHANDISING COMMENTS BY REK

- 1. ADDED REFRIGERATED SODA ENDS TO EVERY OTHER SOAK RACK

2.08.12 - FUTURE PLAN DISTRIBUTION TO MERCHANDISERS, ARCHITECTS AND CONSTRUCTION AFTER STORE WALK

2.20.12 - MERCHANDISING COMMENTS BY REK

- 1. REMOVED PRODUCE UNDER
- 2. MOVED LA BREA TABLE FRONT
- 3. ADDED 12' GROCERY CONSOLE
- 4. EXTENDED ACCOUNTING WALLS TO UNDERSCORE OF LA BREA KIOSK
- 5. ELIMINATED COFFEE FROM REAR OF BUILDING
- 6. ADDED 12' GROCERY CONSOLE TO LA BREA KIOSK
- 7. ELIMINATED 12' GROCERY CONSOLE TO LA BREA KIOSK
- 8. CONVERTED FLORA DEPARTMENT
- 9. ELIMINATED 12' TABLES FROM STARBUCKS SEATING FOR PALLET DISPLAY

3.11.12 - MERCHANDISING COMMENTS BY REK

- 1. ADDED ELECTRICAL CLOSET TO FRONT END
- 2. CONVERTED NEW FLORA CASES TO RELOCATED
- 3. CONVERTED 32' CARD CONSOLE TO 16' CONSOLE AND 16' SEASONAL
- 4. RELOCATED GIFT CARD DISPLAY TO ENDCAP ON FRONT END
- 5. CONVERTED BINS AND WAGS TO 16'
- 6. ELIMINATED RUG DOCTOR
- 7. ADDED MASS DISPLAY NEAR STARBUCKS SEATING

03.07.12 - UPDATES BY JKH

- 1. SHOW WORK TO BE DONE ON FRONT OF PHARMACY
- 2. CLEANED UP PLAN TO BE ISSUED FOR Cds.

03.23.12 - UPDATES BY JKH

- 1. EXISTING MANAGER'S OFFICES WILL ALONG FRONT OF STORE TO REMAIN
- 2. SHOW NEW DOORS ON EXTERIOR WALLS OF RESTROOMS AND ADJACENT JANITORIAL CLOSET
- 3. SHOW NEW BRADLEY LAUNDRY SYSTEM IN WOMEN'S RESTROOM
- 4. SHOW NEW 1000' COMPACTOR CHUTE
- 5. SHOW NEW 1000' STAINL. SINK AND BARRIER
- 6. SHOW ALL EXISTING ELECTRICAL PANELS ON PLAN
- 7. ADDED SECUR. BARBERS AT NEW CHEESE/PIZZA ISLAND
- 8. CONVERTED NONCULINARY ON EXISTING FROZEN FOODS CASES.

04.03.12 - UPDATES BY JKH

- 1. SHOW EXISTING LOW WALL AND HAND SINK AT EXTERIOR LA BREA ISLAND
- 2. SHOW NEW DOOR AT PHARMACY

05.10.12 - UPDATES BY JKH

- 1. REMOVE NEW LA BREA TABLE WITH BUILT IN SINK AND SHOW COMPACTOR CHUTE WITH MOBILE HAND LAY IN BACK. KIOSK WILL NEED TO BE SEPARATE SLIGHTLY AND DECOR WILL NEED TO SHFT APPROX. 3.6'

5.16.12 - PER PURCHASING DEPT. BY RWB.

- 1. MAKE THE LA BREA CASE THE NEW HUSMANN RL TO MATCH THE NEW FROZEN CASE CASE AND SHOW THE RELOCATED CASE FOR FROZEN SEAFOOD.

05.24.12 - UPDATE BY JKH

- 1. SHOW APPROXIMATE EXTENTS OF SIDEWALK IN FRONT OF STORE AND SHOW NEW HOME SHOPPING CALL BOX WITH DECORATIVE BOLLARDS.

APPROVED --/--/12

REVISIONS

- No. 1 Date 05.10.12
- No. 2 Date 05.29.12
- No. 3 Date
- No. 4 Date
- No. 5 Date
- No. 6 Date
- No. 7 Date
- No. 8 Date
- No. 9 Date
- No. 10 Date

DELI/BAKERY
MEAT/SEAFOOD
GROCERY
PRODUCE
FROZEN/BAKERY
FRONT END
IS DEPT.
RUG DOCTOR
ICE MACHINE
CONSTAR
AL LENTZ

HOME SHOPPING
REBOX DVD RENTAL OPTION
ATM
RUG DOCTOR
ICE MACHINE
CONSTAR
PRIMO WATER

1.15.13 - MERCHANDISING COMMENTS BY REK

- 1. REMOVED 16' SEASONAL CONSOLE AND 17' CHEESE ISLAND AND ADDED PIZZA/CHEESE ISLAND
- 2. RELOCATED FRONT END EQUIPMENT AND ADDED HOME SHOPPING
- 3. ADDED 12' SALAD BAR
- 4. ADDED MEAT DEAL ENDCAP

1.20.12 - MERCHANDISING COMMENTS BY REK

- 1. ELIMINATED SHORT LP COMMERCIAL BAKERY DONUTS
- 2. MOVED CHEESE/PIZZA KIOSK TOWARD REAR OF BUILDING TO MAKE ROOM FOR SALAD BAR AND CHICKEN MERCHANDISER
- 3. CONVERTED 54" OF 16" GROCERY CONSOLE TO COMMERCIAL BAKERY KIOSK AND STAINL. IS DEPT. MANAGER AND STORE MANAGER LOCATIONS
- 4. REMOVED DEPT. MANAGER AND STORE MANAGER TO BACK OF HOUSE
- 5. ELIMINATED PRODUCE BINE TO MAKE ROOM FOR SALAD BAR AND CHICKEN MERCHANDISER

1.29.12 - MERCHANDISING COMMENTS BY REK

- 1. ADDED REFRIGERATED SODA ENDS TO EVERY OTHER SOAK RACK

2.08.12 - FUTURE PLAN DISTRIBUTION TO MERCHANDISERS, ARCHITECTS AND CONSTRUCTION AFTER STORE WALK

2.20.12 - MERCHANDISING COMMENTS BY REK

- 1. REMOVED PRODUCE UNDER
- 2. MOVED LA BREA TABLE FRONT
- 3. ADDED 12' GROCERY CONSOLE
- 4. EXTENDED ACCOUNTING WALLS TO UNDERSCORE OF LA BREA KIOSK
- 5. ELIMINATED COFFEE FROM REAR OF BUILDING
- 6. ADDED 12' GROCERY CONSOLE TO LA BREA KIOSK
- 7. ELIMINATED 12' GROCERY CONSOLE TO LA BREA KIOSK
- 8. CONVERTED FLORA DEPARTMENT
- 9. ELIMINATED 12' TABLES FROM STARBUCKS SEATING FOR PALLET DISPLAY

3.11.12 - MERCHANDISING COMMENTS BY REK

- 1. ADDED ELECTRICAL CLOSET TO FRONT END
- 2. CONVERTED NEW FLORA CASES TO RELOCATED
- 3. CONVERTED 32' CARD CONSOLE TO 16' CONSOLE AND 16' SEASONAL
- 4. RELOCATED GIFT CARD DISPLAY TO ENDCAP ON FRONT END
- 5. CONVERTED BINS AND WAGS TO 16'
- 6. ELIMINATED RUG DOCTOR
- 7. ADDED MASS DISPLAY NEAR STARBUCKS SEATING

03.07.12 - UPDATES BY JKH

- 1. SHOW WORK TO BE DONE ON FRONT OF PHARMACY
- 2. CLEANED UP PLAN TO BE ISSUED FOR Cds.

03.23.12 - UPDATES BY JKH

- 1. EXISTING MANAGER'S OFFICES WILL ALONG FRONT OF STORE TO REMAIN
- 2. SHOW NEW DOORS ON EXTERIOR WALLS OF RESTROOMS AND ADJACENT JANITORIAL CLOSET
- 3. SHOW NEW BRADLEY LAUNDRY SYSTEM IN WOMEN'S RESTROOM
- 4. SHOW NEW 1000' COMPACTOR CHUTE
- 5. SHOW NEW 1000' STAINL. SINK AND BARRIER
- 6. SHOW ALL EXISTING ELECTRICAL PANELS ON PLAN
- 7. ADDED SECUR. BARBERS AT NEW CHEESE/PIZZA ISLAND
- 8. CONVERTED NONCULINARY ON EXISTING FROZEN FOODS CASES.

04.03.12 - UPDATES BY JKH

- 1. SHOW EXISTING LOW WALL AND HAND SINK AT EXTERIOR LA BREA ISLAND
- 2. SHOW NEW DOOR AT PHARMACY

05.10.12 - UPDATES BY JKH

- 1. REMOVE NEW LA BREA TABLE WITH BUILT IN SINK AND SHOW COMPACTOR CHUTE WITH MOBILE HAND LAY IN BACK. KIOSK WILL NEED TO BE SEPARATE SLIGHTLY AND DECOR WILL NEED TO SHFT APPROX. 3.6'

5.16.12 - PER PURCHASING DEPT. BY RWB.

- 1. MAKE THE LA BREA CASE THE NEW HUSMANN RL TO MATCH THE NEW FROZEN CASE CASE AND SHOW THE RELOCATED CASE FOR FROZEN SEAFOOD.

05.24.12 - UPDATE BY JKH

- 1. SHOW APPROXIMATE EXTENTS OF SIDEWALK IN FRONT OF STORE AND SHOW NEW HOME SHOPPING CALL BOX WITH DECORATIVE BOLLARDS.

DRAWN: ADS
SCALE: 3/32" = 1'-0"
DATE: 6.09

Harris Teeter
Your Neighborhood Food Store

JOB DESCRIPTION
NORTHWOOD SQUARE
ROCK HILL, SC
STORE NUMBER # 149

SHEET DESCRIPTION
FIXTURE PLAN
SHEET NUMBER F-1 OF 1