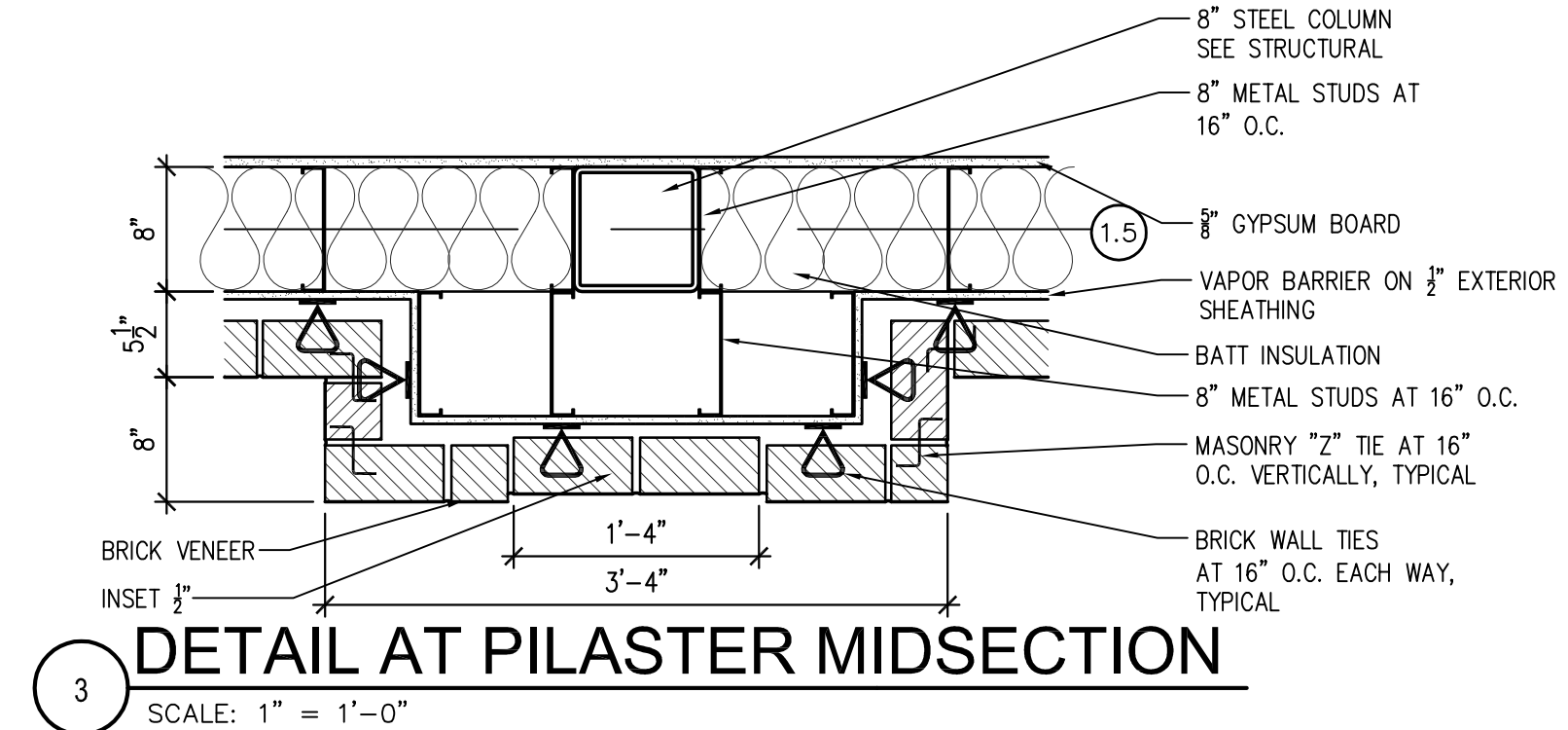
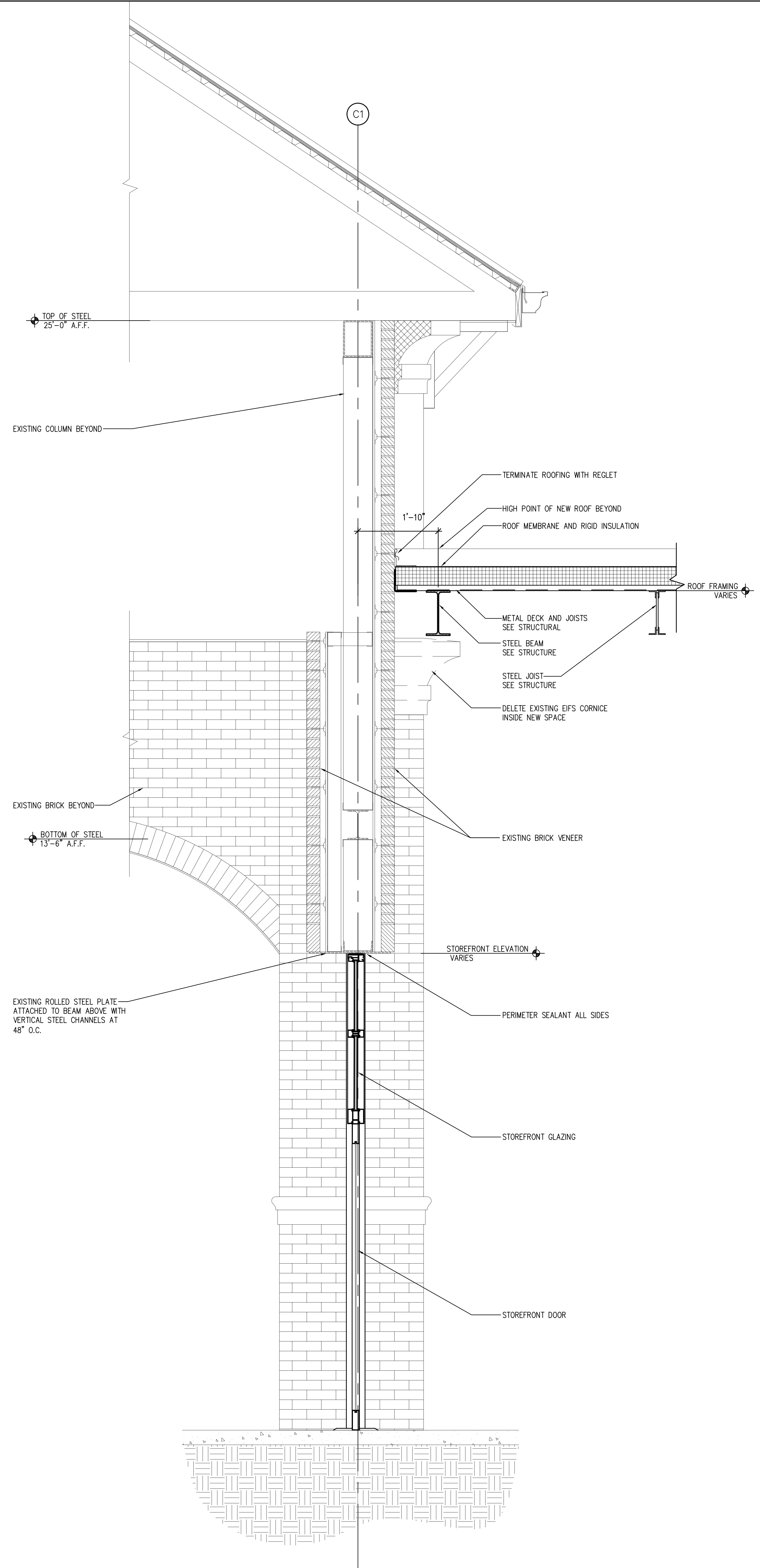


**2 DETAIL AT PILASTER MIDSECTION**  
 SCALE: 1" = 1'-0"



**3 DETAIL AT PILASTER MIDSECTION**  
 SCALE: 1" = 1'-0"



**1 TOWER SECTION @ MIDPOINT**  
 SCALE: 3/4" = 1'-0"