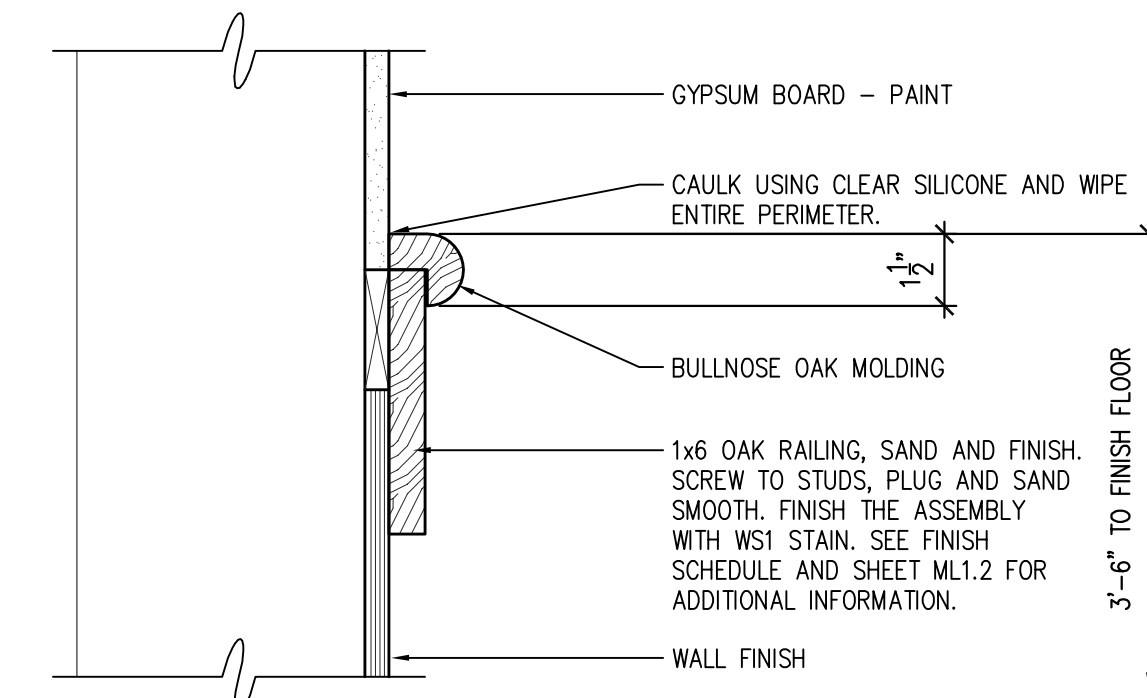


08.23.16

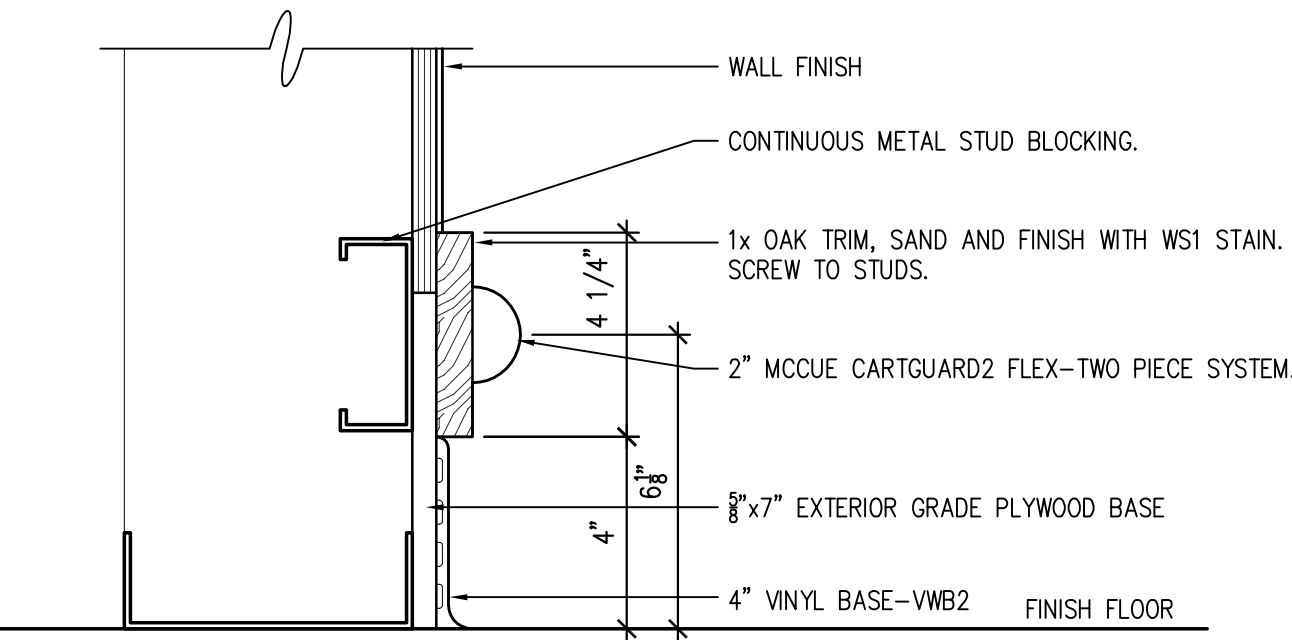
PROJECT MANAGER: Robert Evans
 JOB NO: 14HT208-02
 DR. BY: JEM

REVISIONS	Date

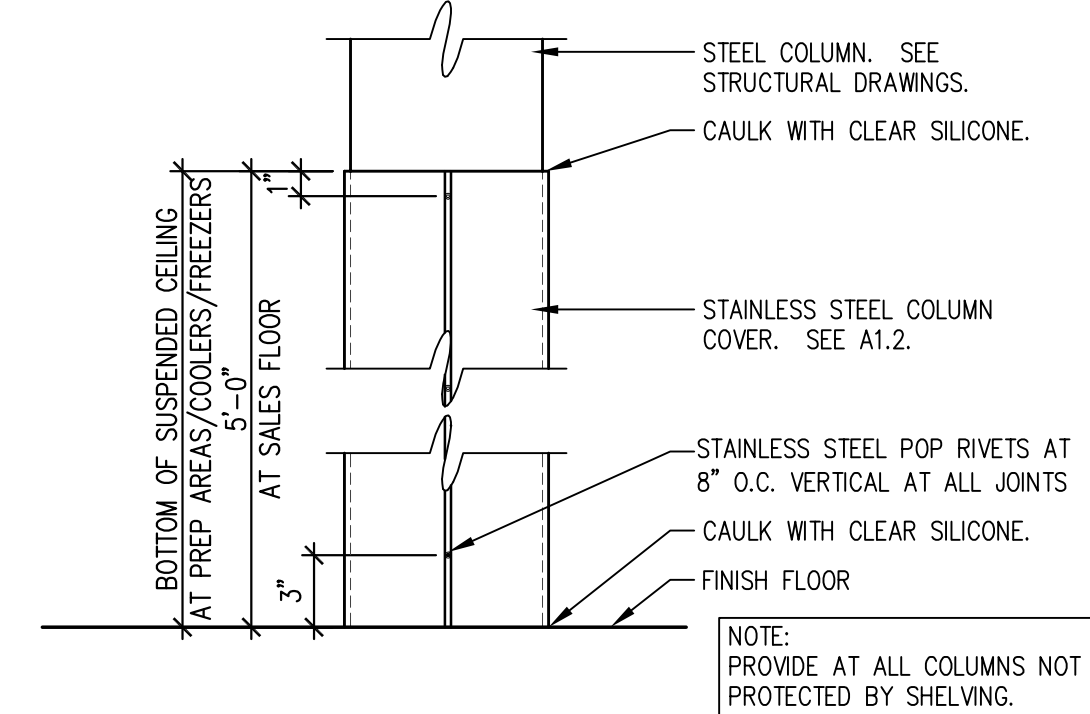
DRIVING NAME:
 MISCELLANEOUS DETAILS



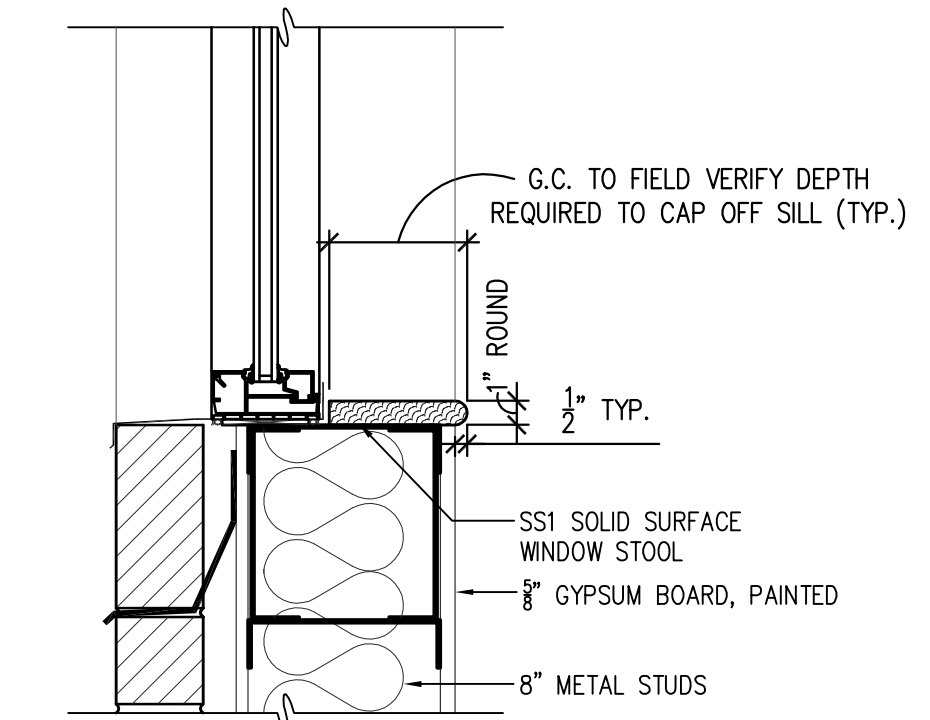
24 SECTION THRU CHAIR RAILING
 SCALE: 3" = 1'-0"



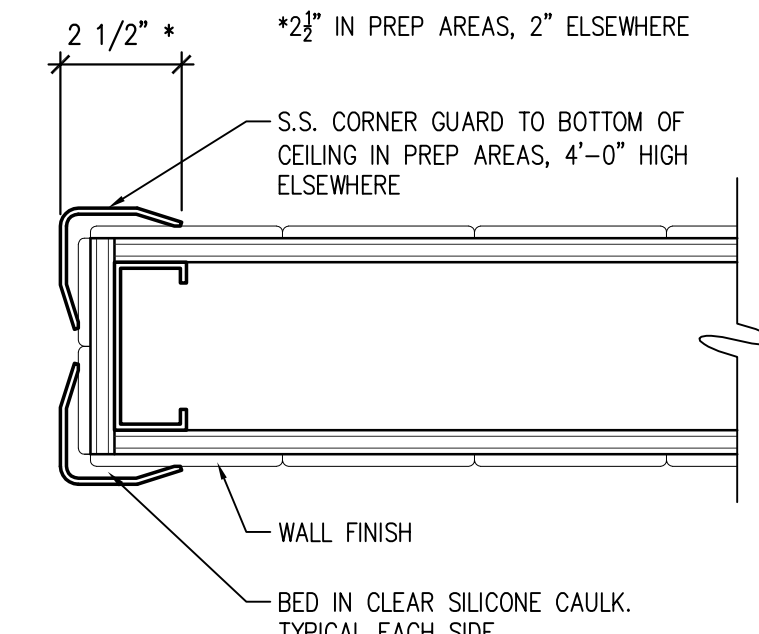
23 SECTION AT CARTBUMPER
 SCALE: 3" = 1'-0"



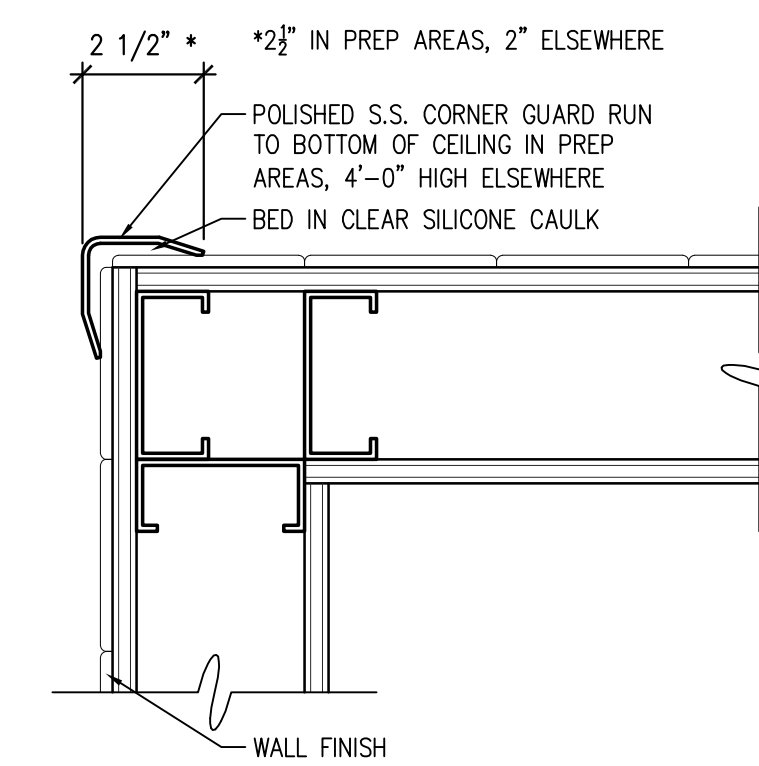
22 DETAIL AT S.S. COLUMN COVER
 SCALE: 1 1/2" = 1'-0"



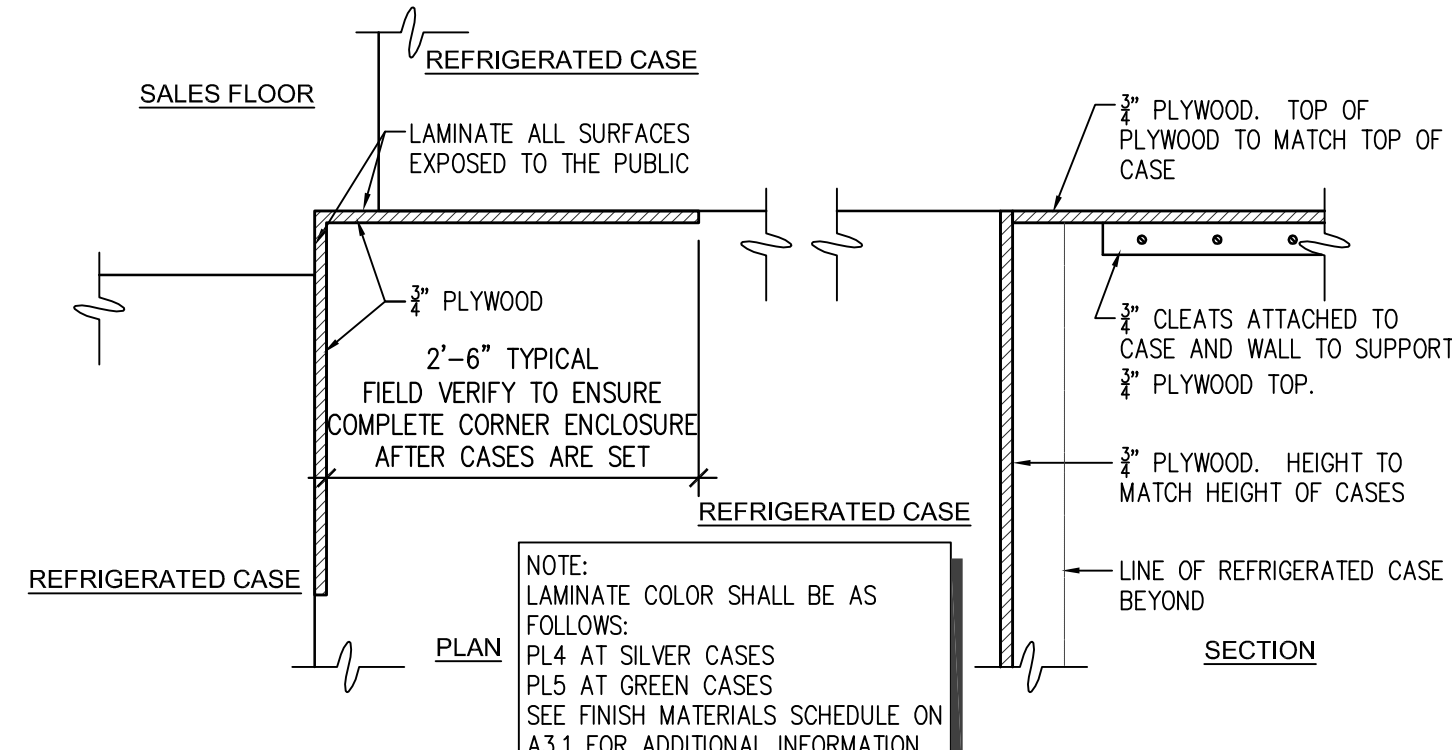
2 DETAIL - STOREFRONT FRAME
 SCALE: 1 1/2" = 1'-0"



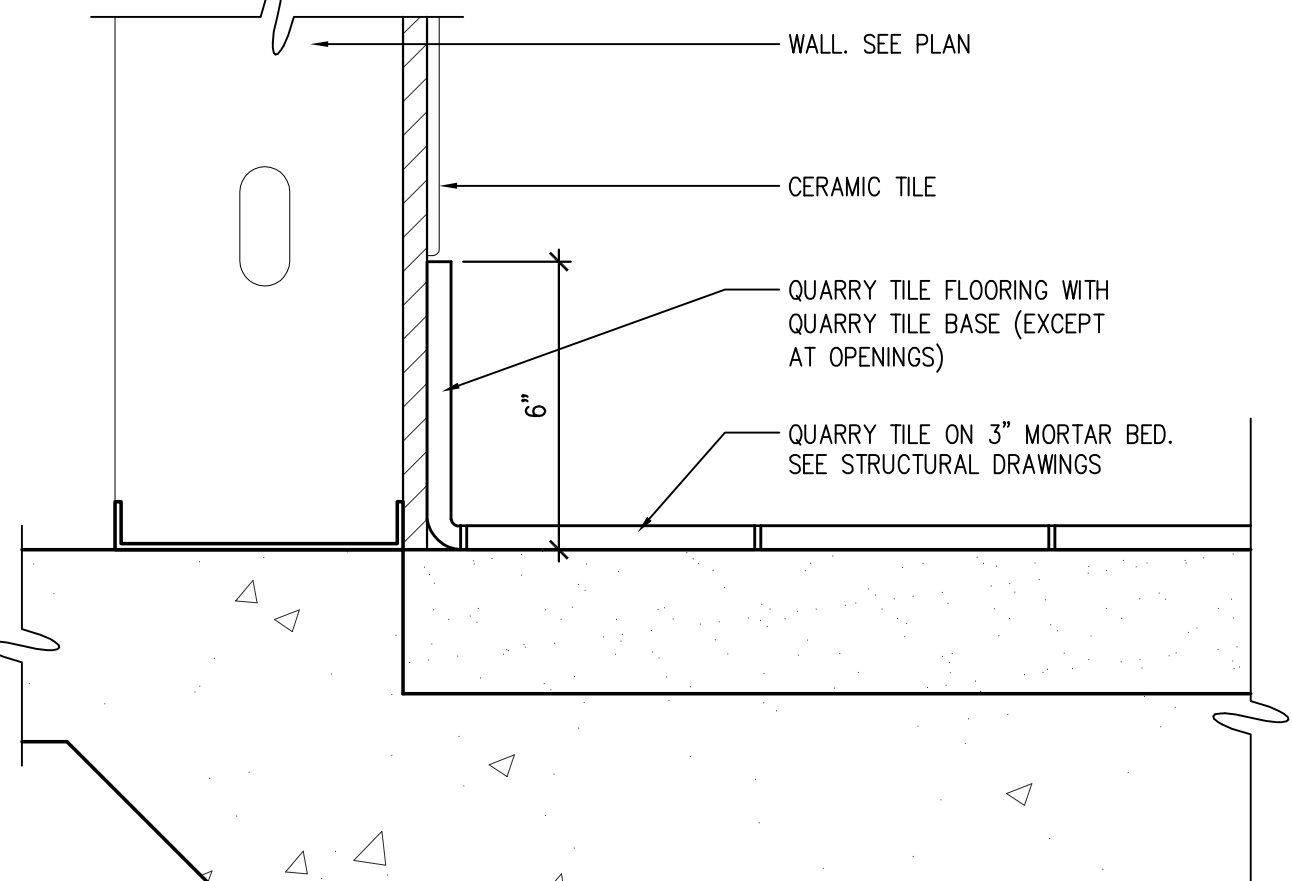
27 S.S. CORNER GUARD DETAIL
 SCALE: 3" = 1'-0"



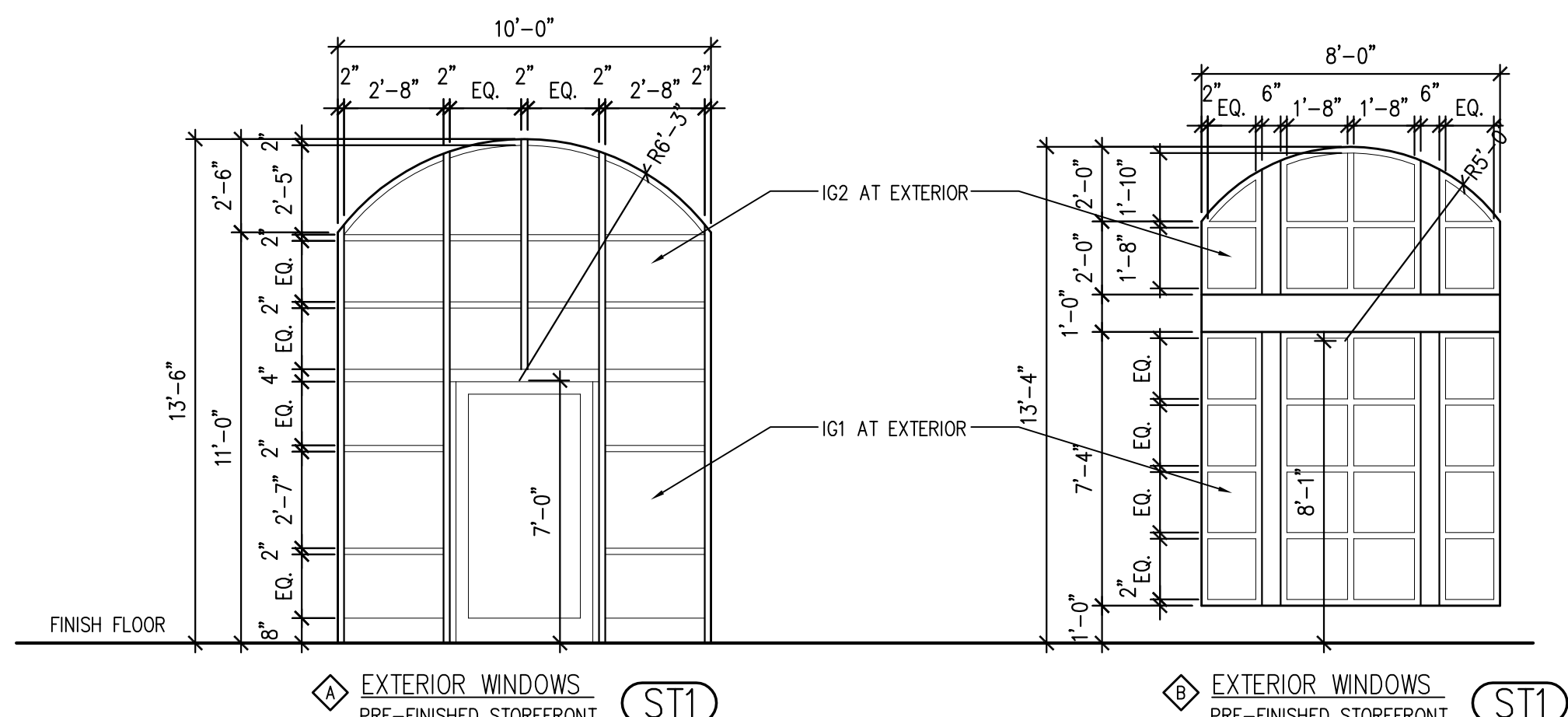
26 S.S. CORNER GUARD DETAIL
 SCALE: 3" = 1'-0"



21 CORNER CLOSURE DETAIL
 SCALE: 1" = 1'-0"



6 TILE DETAIL AT PREP AREAS
 SCALE: 3" = 1'-0"



1 WINDOW SCHEDULE
 SCALE: 1/4" = 1'-0"

NOTES:
 REFER TO FINISH MATERIALS SCHEDULE ON SHEET A3.1 FOR GLASS TYPES AND STOREFRONT COLORS.
 CONTRACTOR SHALL FIELD VERIFY ALL OPENINGS PRIOR TO FABRICATION