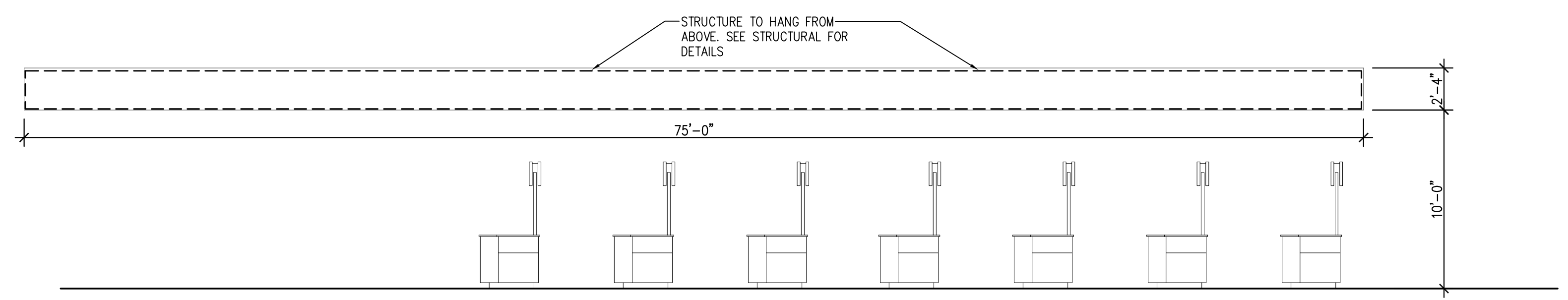
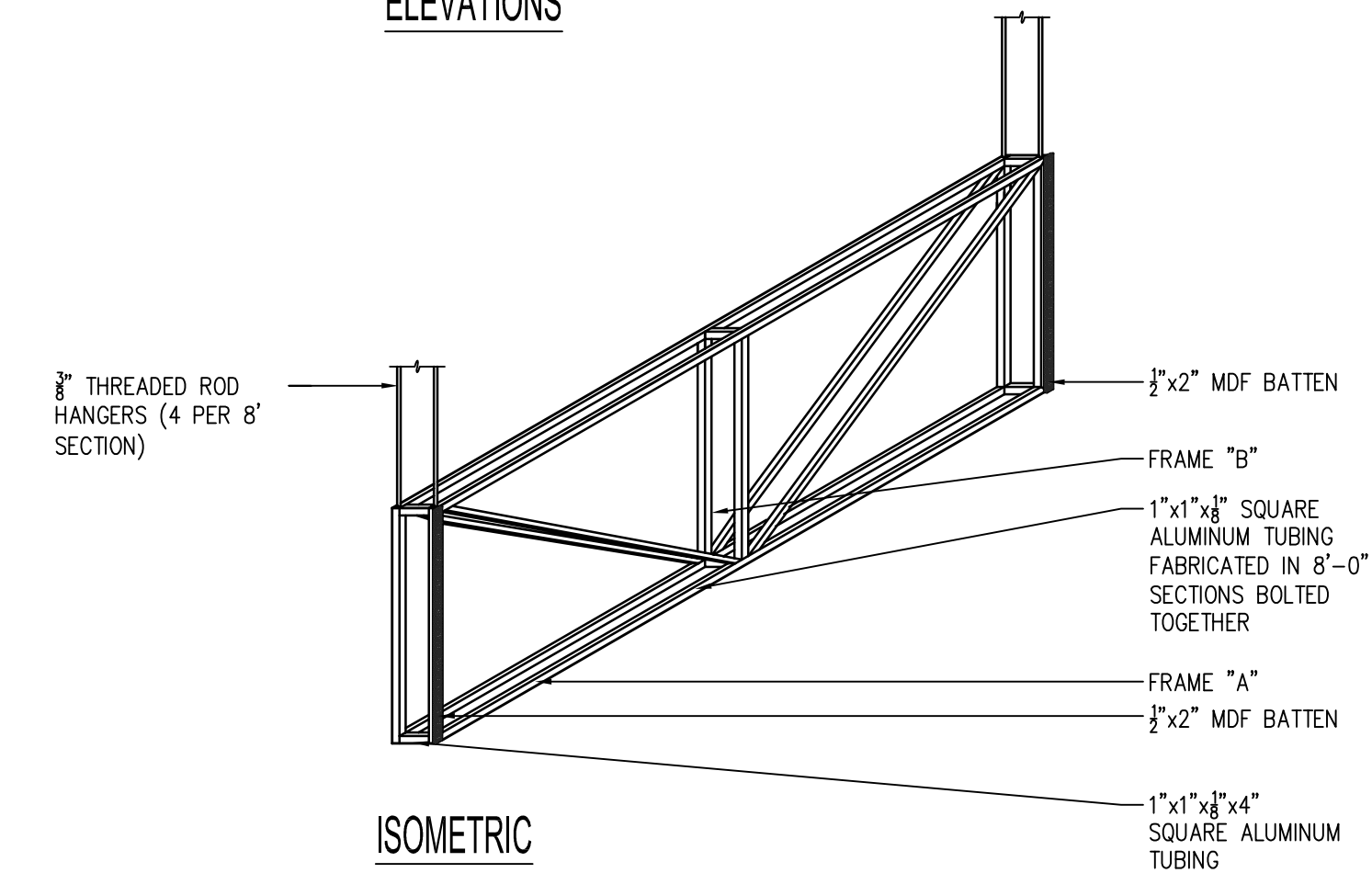
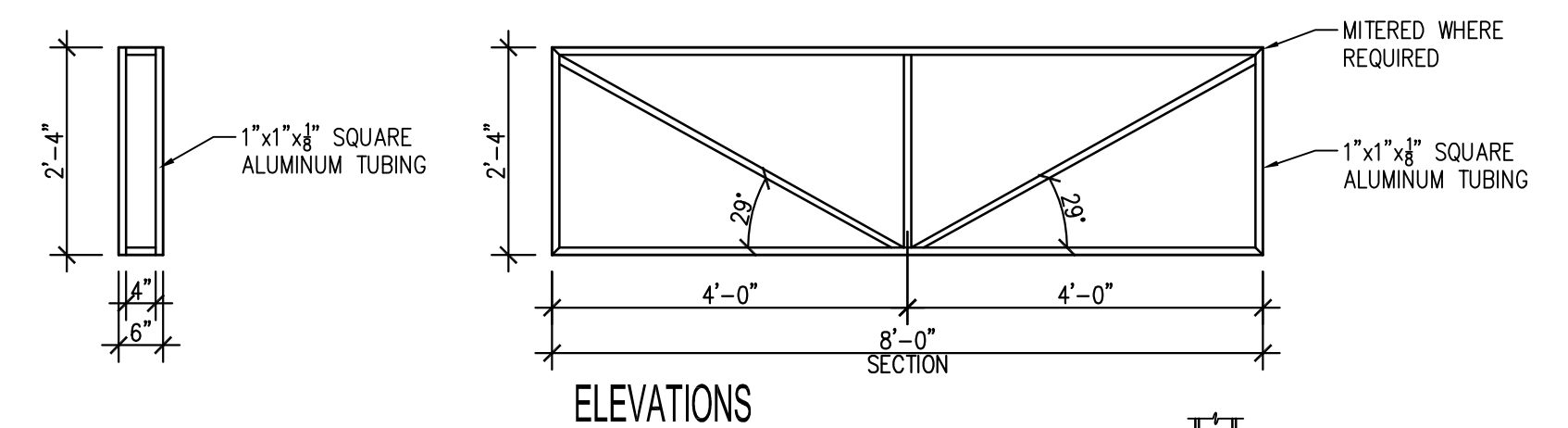
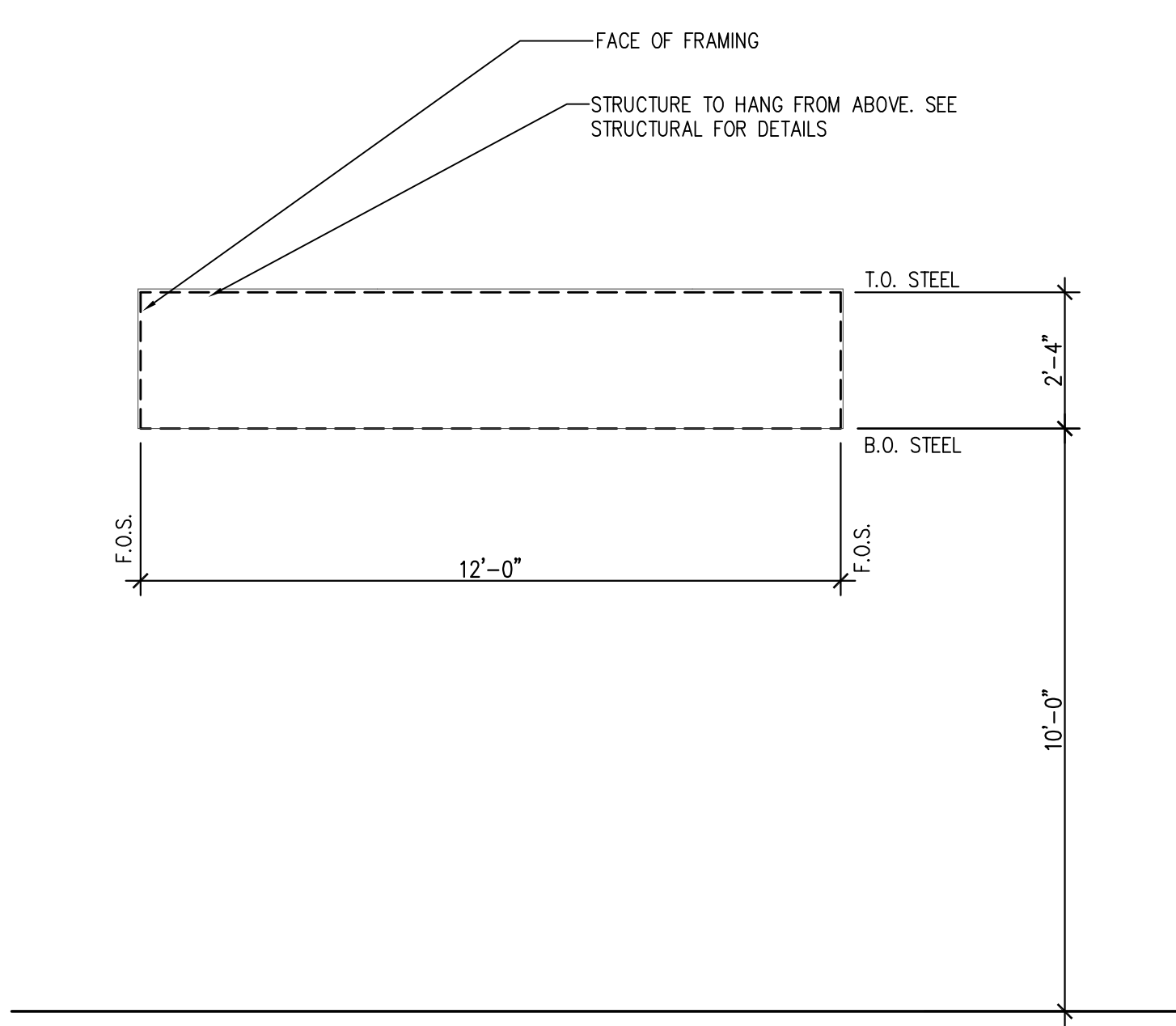


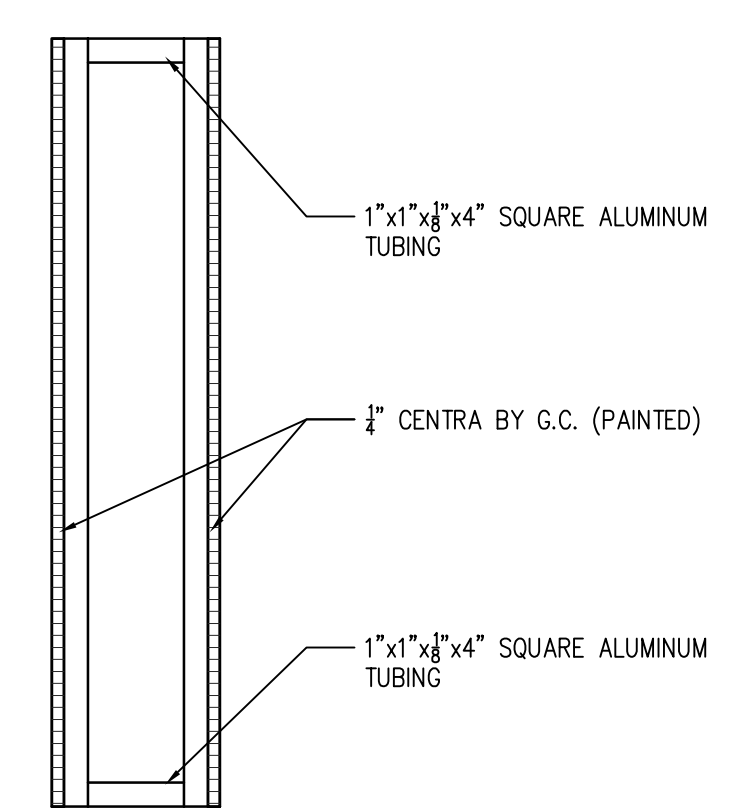
9 CHECKOUT CANOPY - RCP
 SCALE: 3/16" = 1'-0"



8 SIDE ELEVATION - CHECKOUT CANOPY
 SCALE: 3/16" = 1'-0"



11 SIDE ELEVATION - CHECKOUT CANOPY
 SCALE: 3/8" = 1'-0"



10 CHECKOUT CANOPY SECTION
 SCALE: 1 1/2" = 1'-0"

6 DETAIL- CHECKOUT CANOPY DECOR BULKHEADS GENERAL NOTES
 SCALE: 1/2" = 1'-0"

CHECKOUT BULKHEAD
 G.C. SHALL CONTRACT TOM ROBERTSON TO BUILD AND HANG THE BULKHEAD(S) AS DETAILED. G.C. SHALL PAINT ALL EXPOSED SURFACES; VERIFY COLOR WITH DECOR CONTRACTOR. THE DECOR CONTRACTOR SHALL INSTALL AND PAINT ALL APPLIED TRIM AS NOTED.
CONTACT:
 TOM ROBERTSON
 AT PLASTEX FOR MORE INFORMATION ON DECOR PACKAGE 704.393.4040

HARRIS TEETER
 STORE # 208
 COTSWOLD SHOPPING CENTER
 CHARLOTTE, NC

PROJECT MANAGER
 Robyn Evans
 JOB NO.
 14HT208-02
 DR. BY
 JEN

REVISIONS	Date
No.	_____
Date	_____
No.	_____
Date	_____
No.	_____
Date	_____
No.	_____
Date	_____
No.	_____
Date	_____
No.	_____
Date	_____
No.	_____
Date	_____
No.	_____
Date	_____

DRAWING NAME

CHECKOUT CANOPY DETAILS