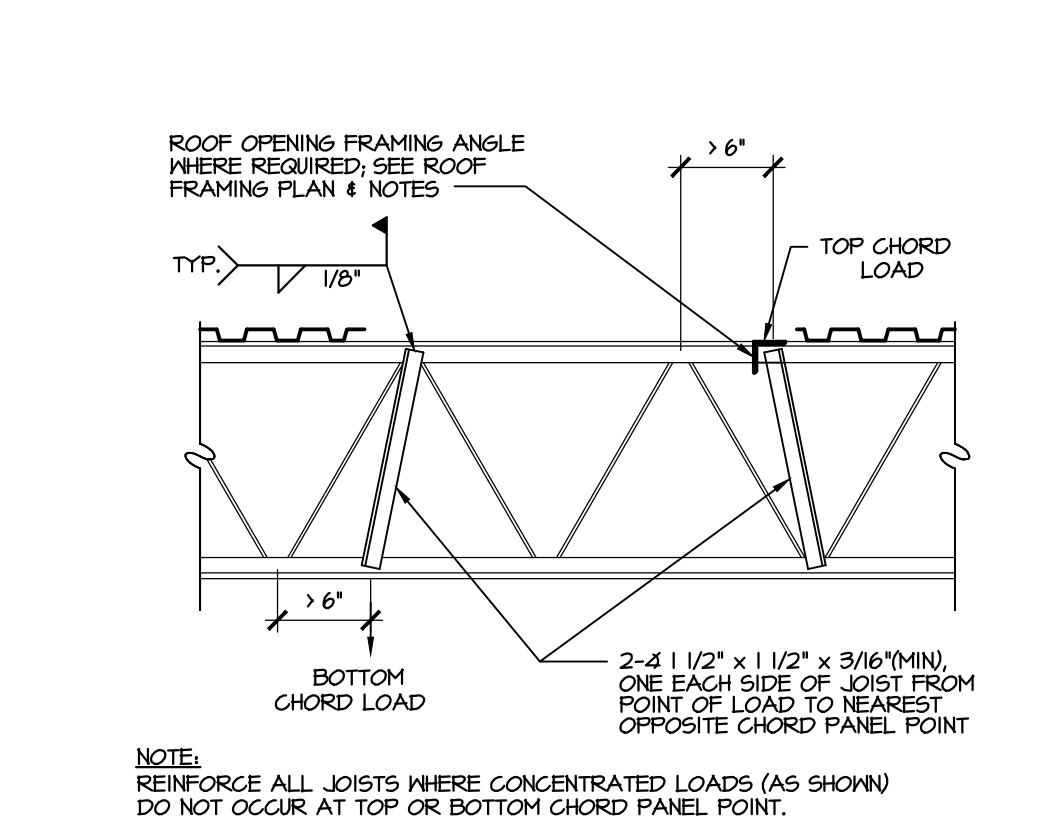
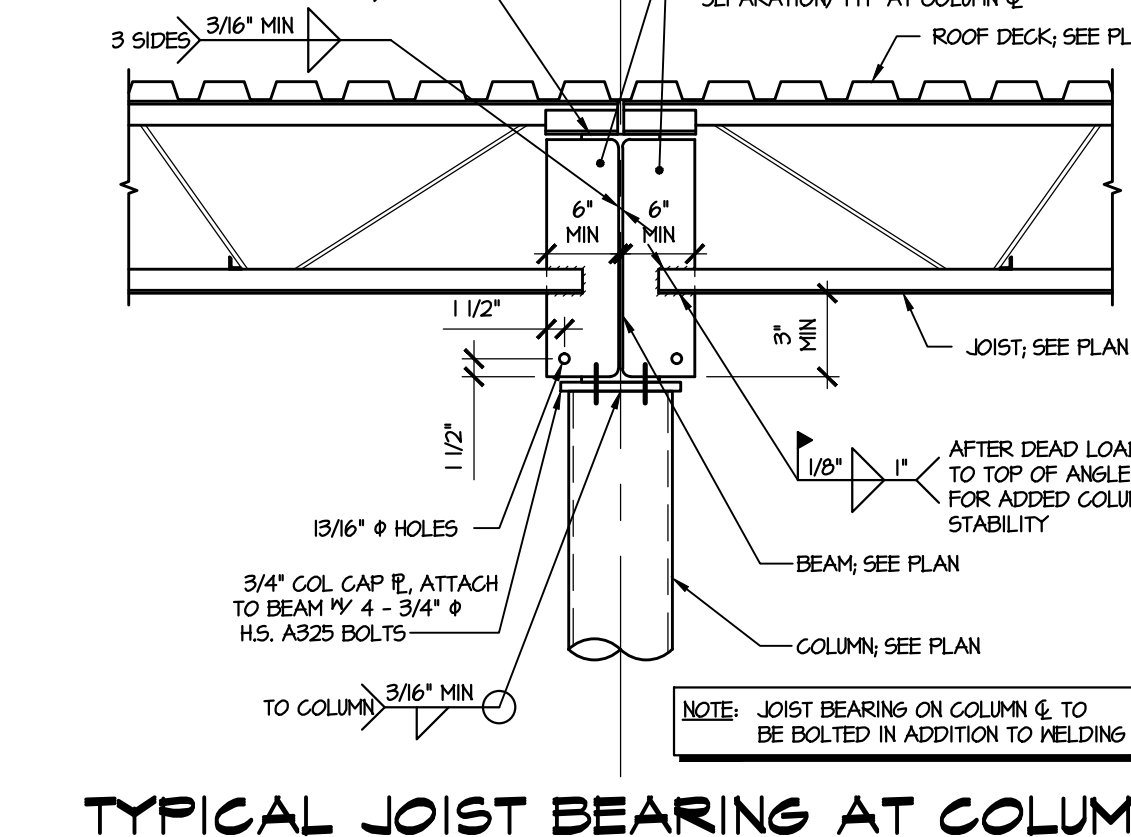


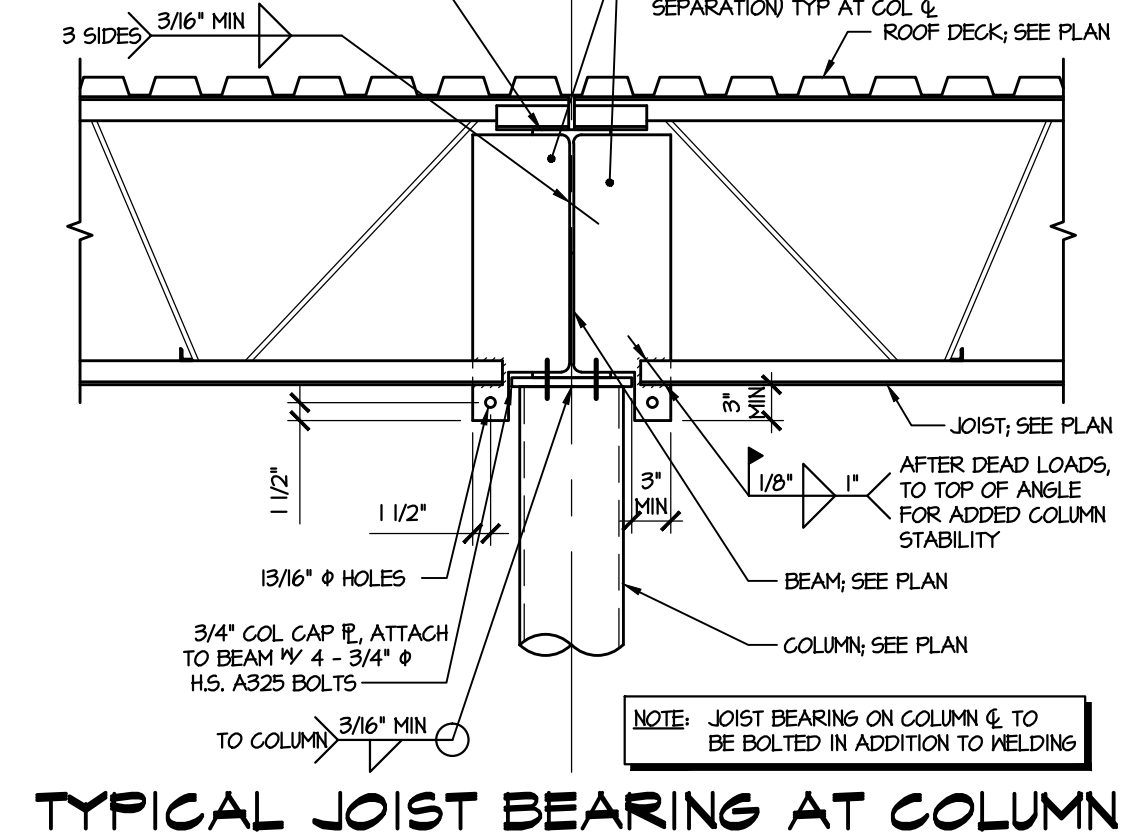
TYPICAL BEAM BEARING DETAIL
SCALE: NOT TO SCALE



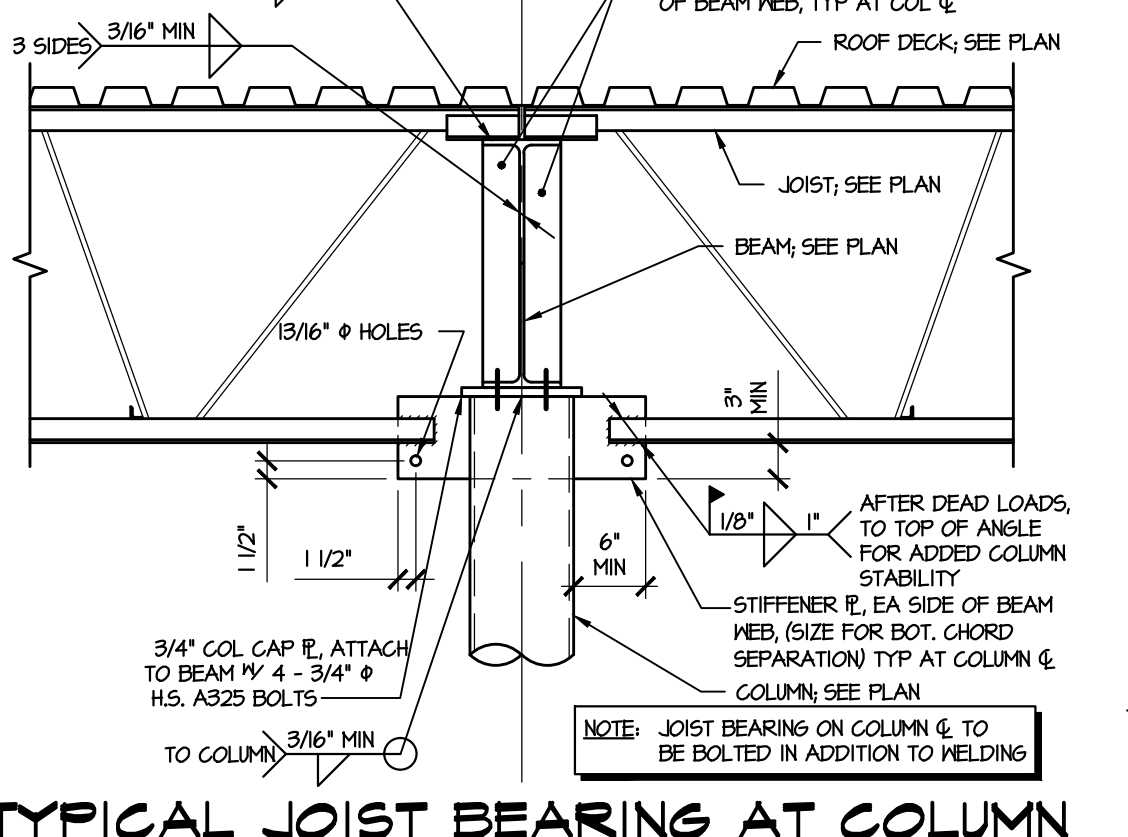
TYPICAL REINFORCED JOIST DETAIL
SCALE: NOT TO SCALE



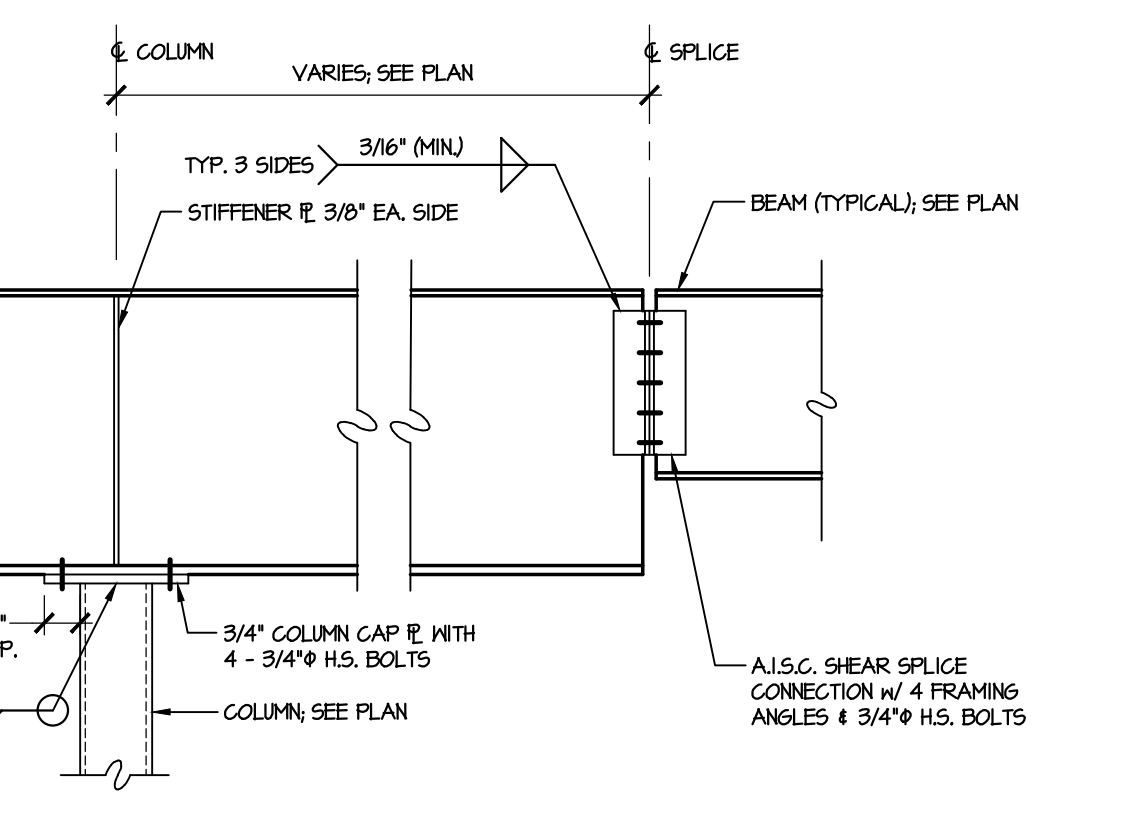
TYPICAL JOIST BEARING AT COLUMN WHERE JOIST DEPTH < BEAM DEPTH
SCALE: 3/4" = 1'-0"



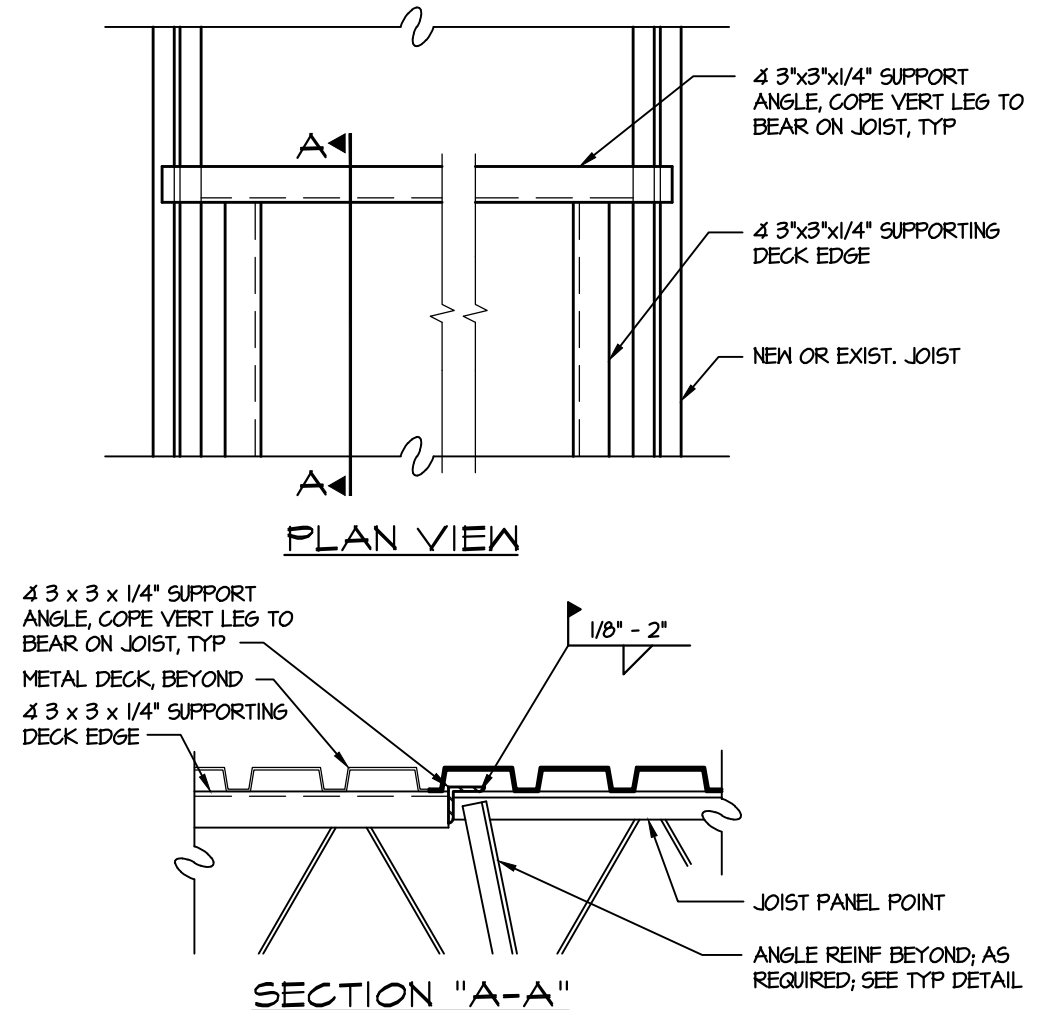
TYPICAL JOIST BEARING AT COLUMN WHERE JOIST DEPTH = BEAM DEPTH
SCALE: 3/4" = 1'-0"



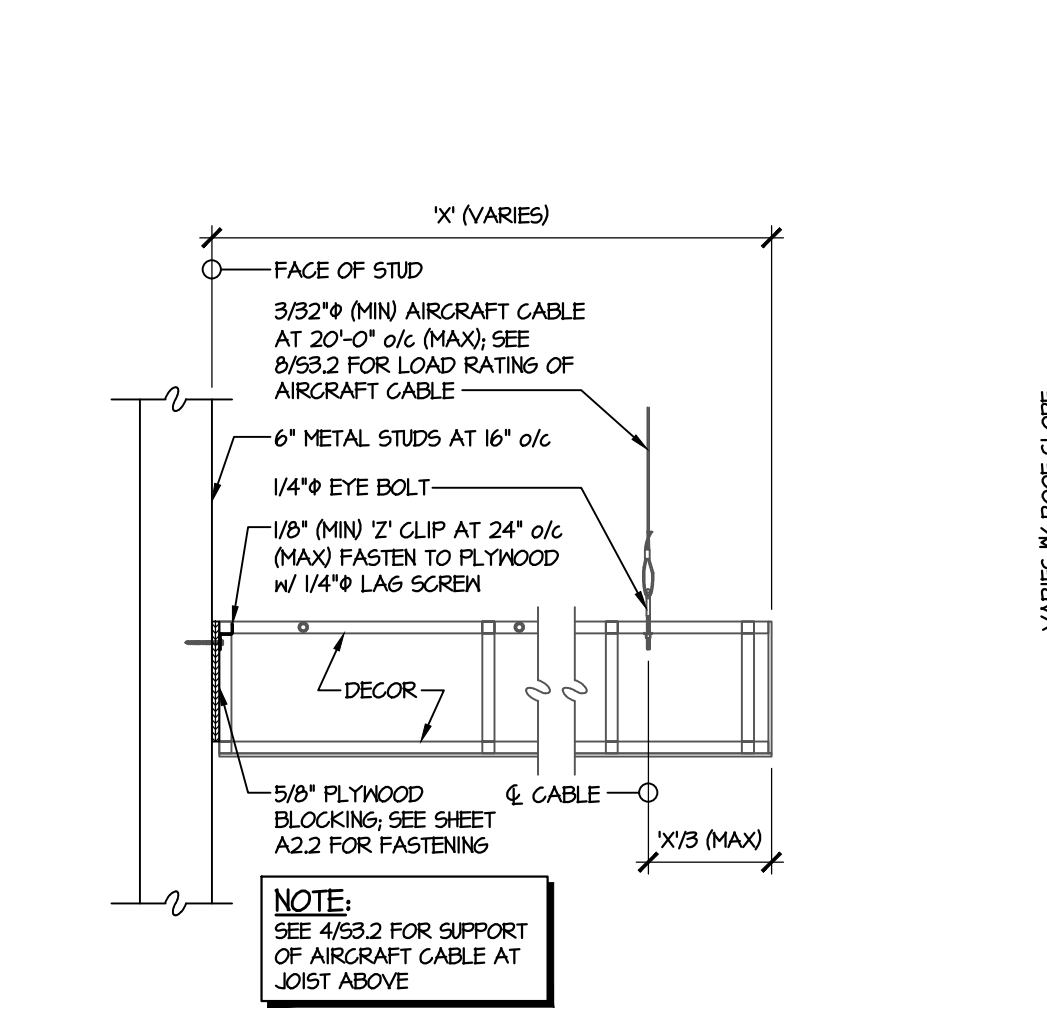
TYPICAL JOIST BEARING AT COLUMN WHERE JOIST DEPTH > BEAM DEPTH
SCALE: 3/4" = 1'-0"



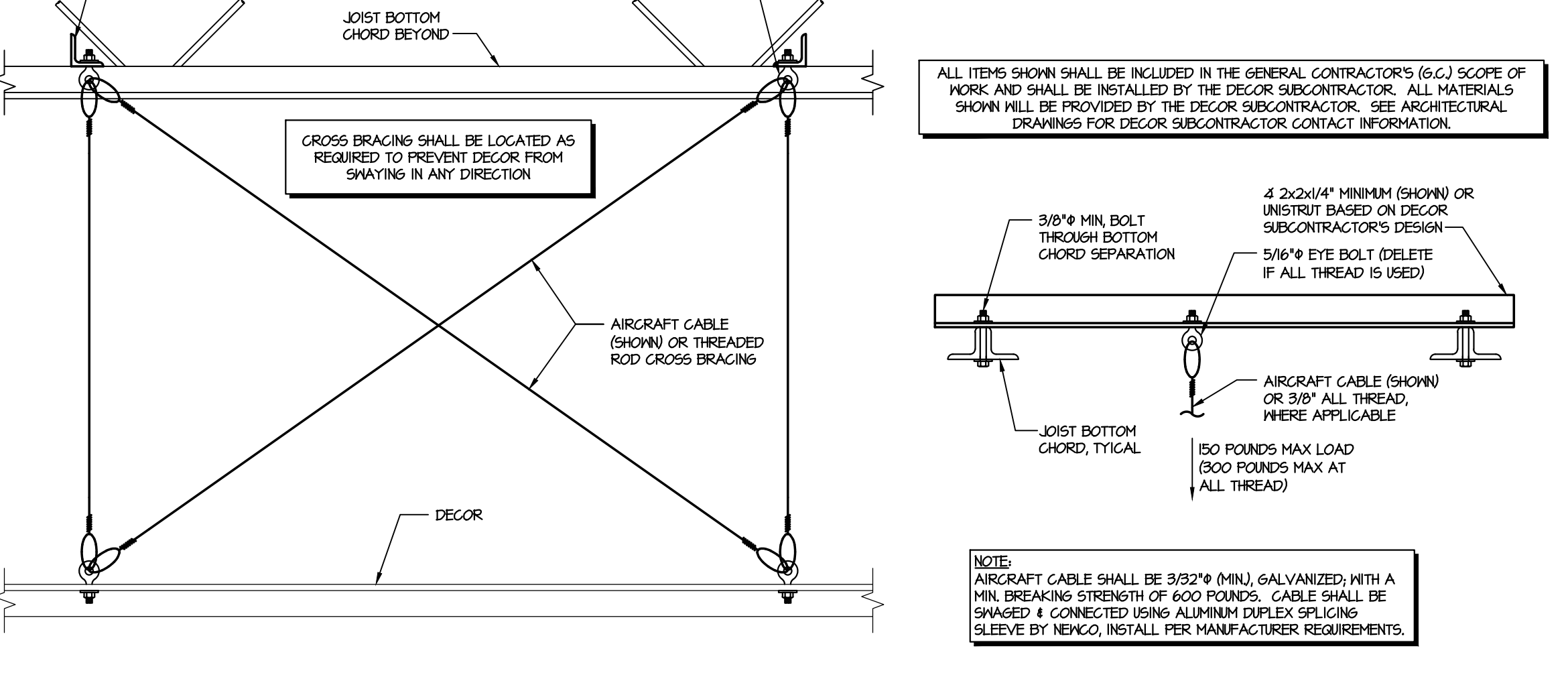
TYPICAL BEAM SPLICE DETAIL
SCALE: 3/4" = 1'-0"



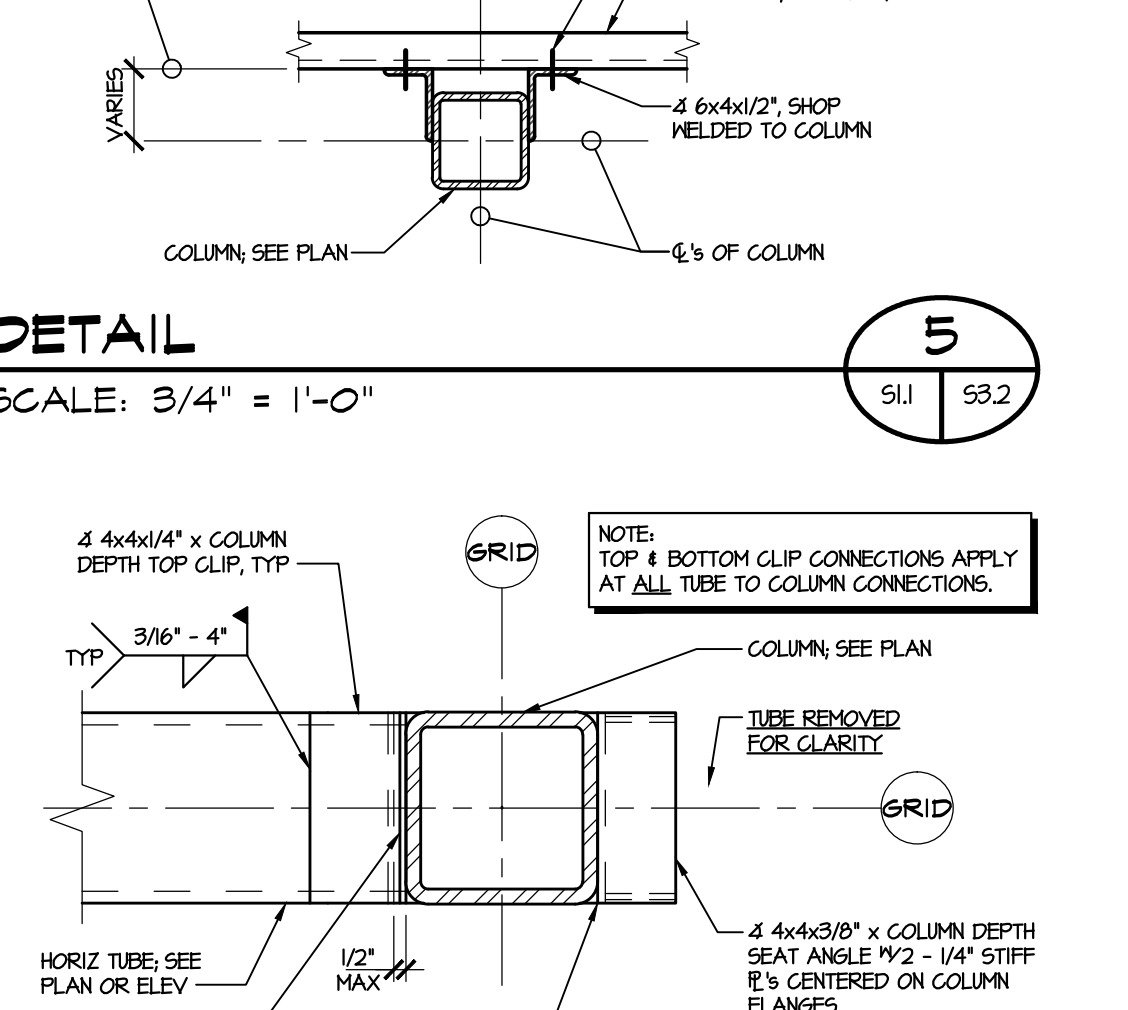
TYPICAL ROOF OPENING DETAIL
SCALE: NOT TO SCALE



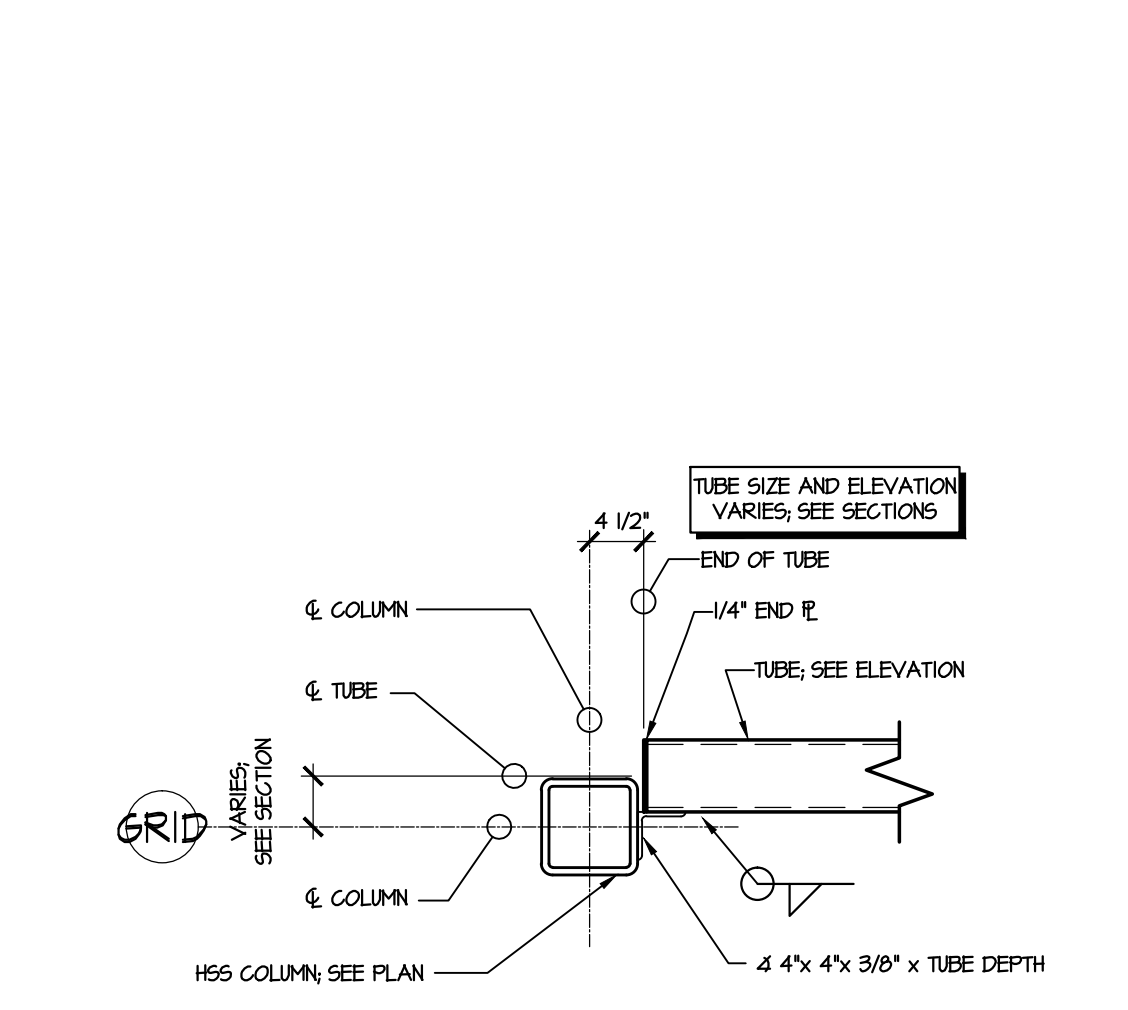
WALL SUPPORTED DECOR DETAIL
SCALE: 3/4" = 1'-0"



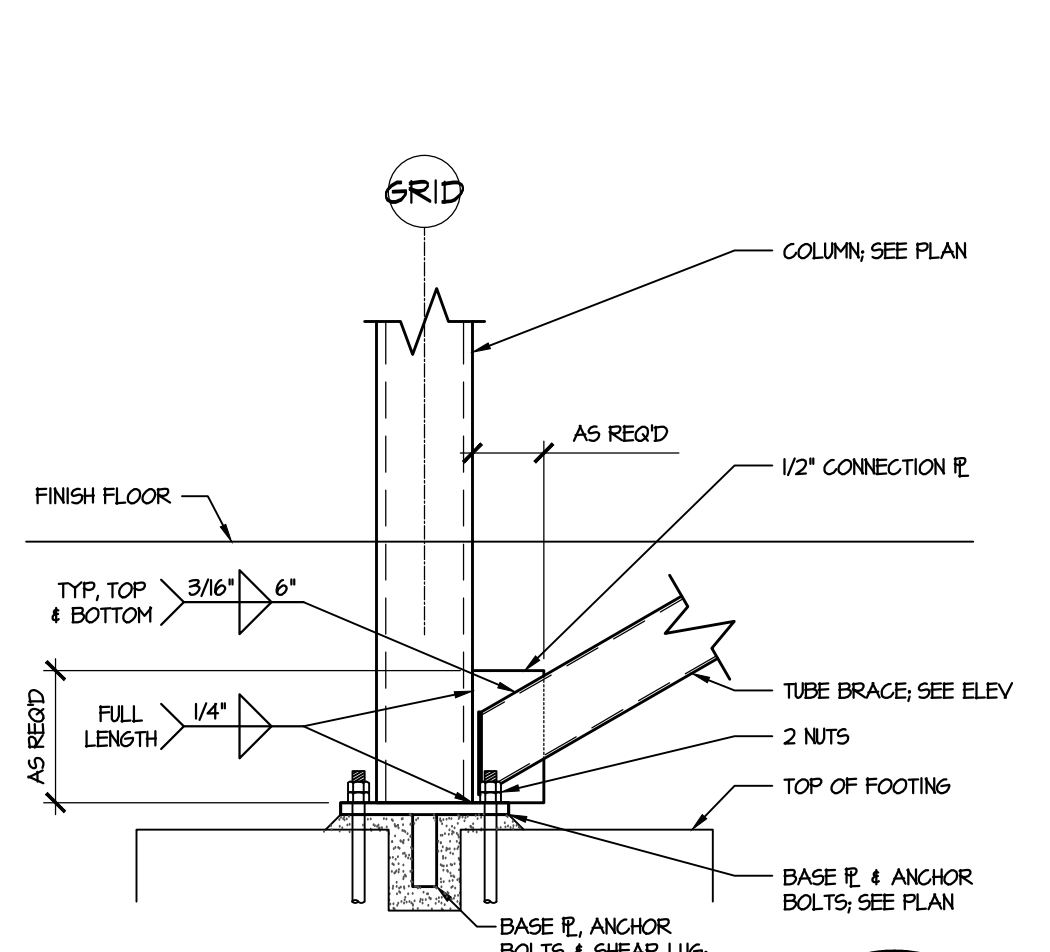
TYPICAL DECOR SUPPORT DETAILS
SCALE: NOT TO SCALE



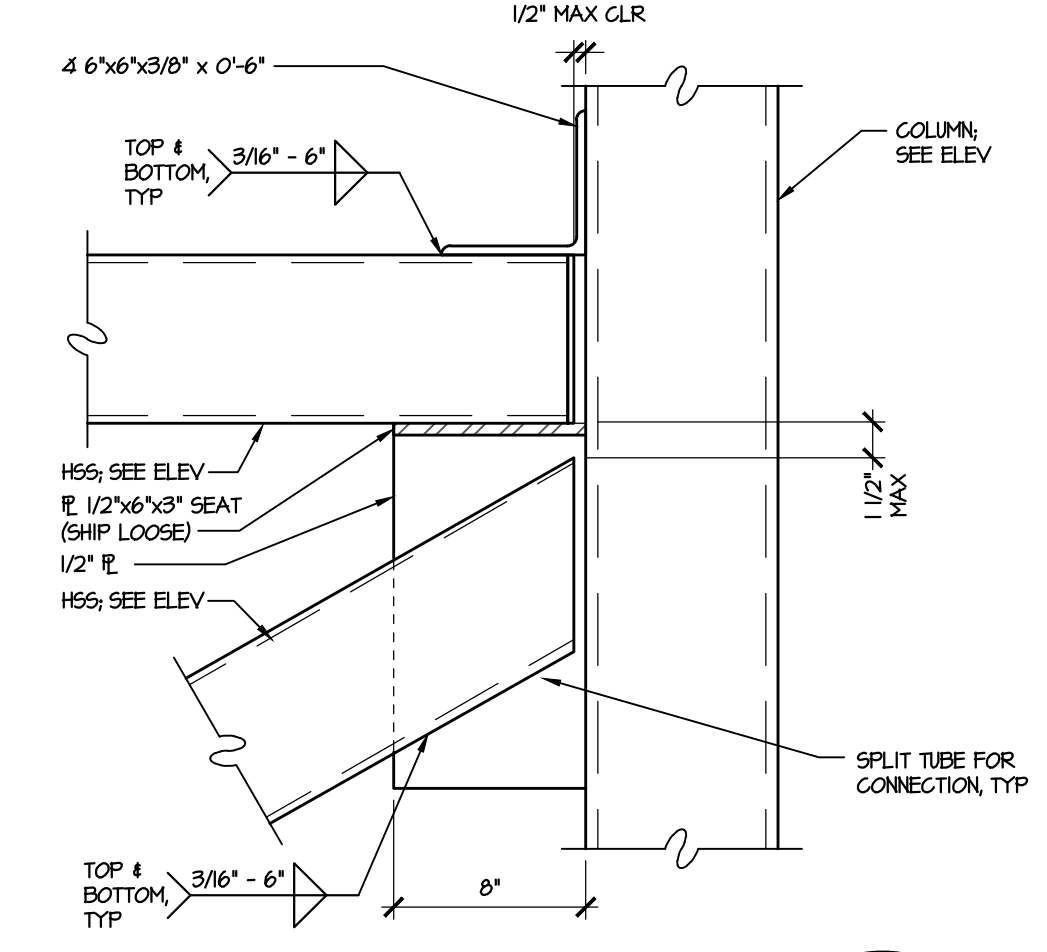
DETAIL
SCALE: 3/4" = 1'-0"



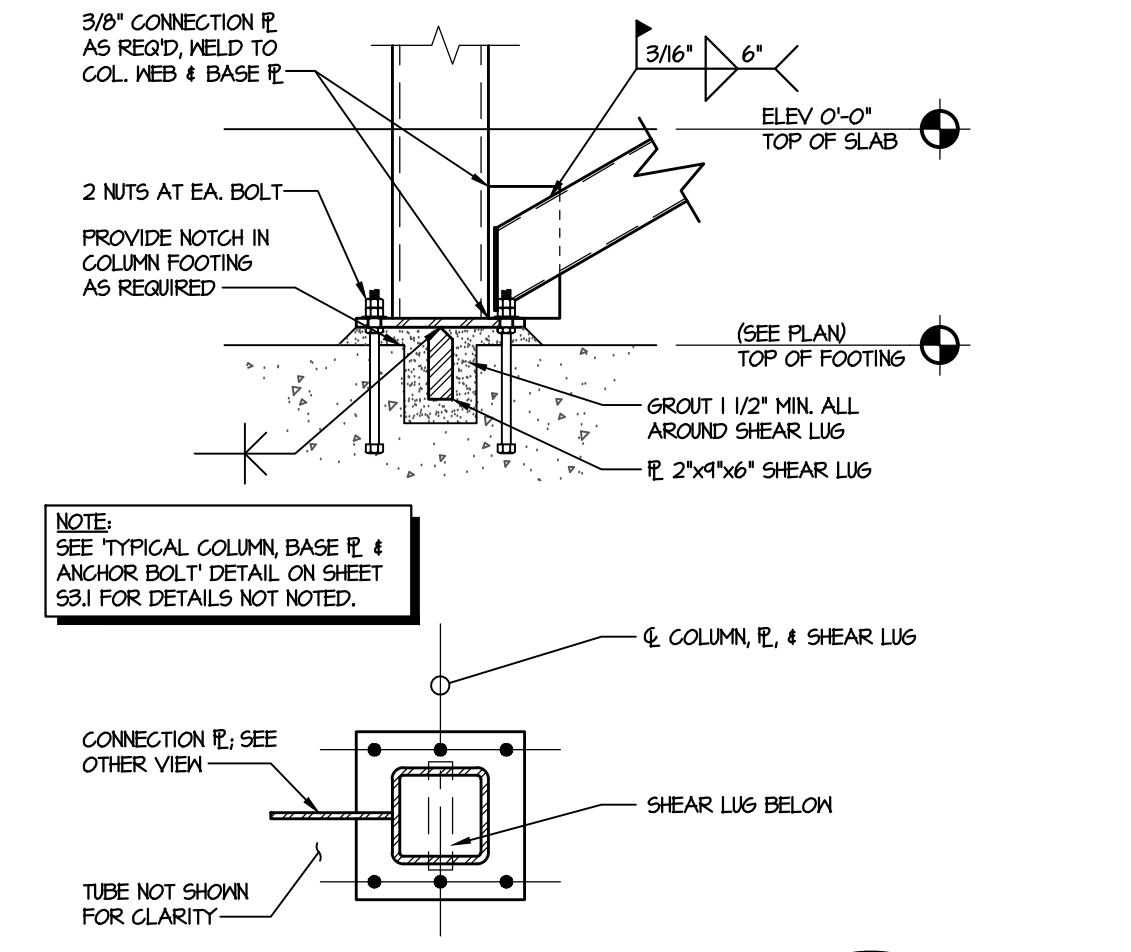
SECTION
SCALE: 3/4" = 1'-0"



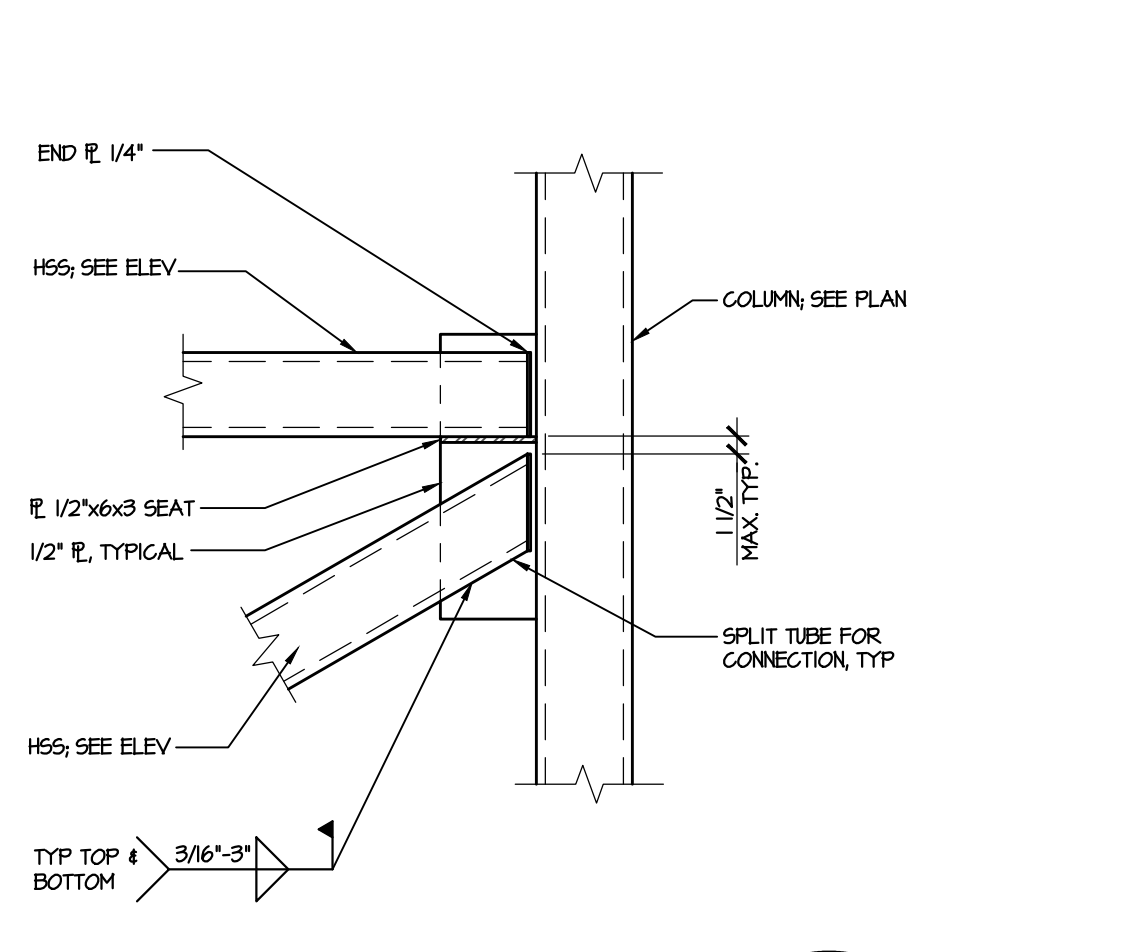
SECTION
SCALE: 3/4" = 1'-0"



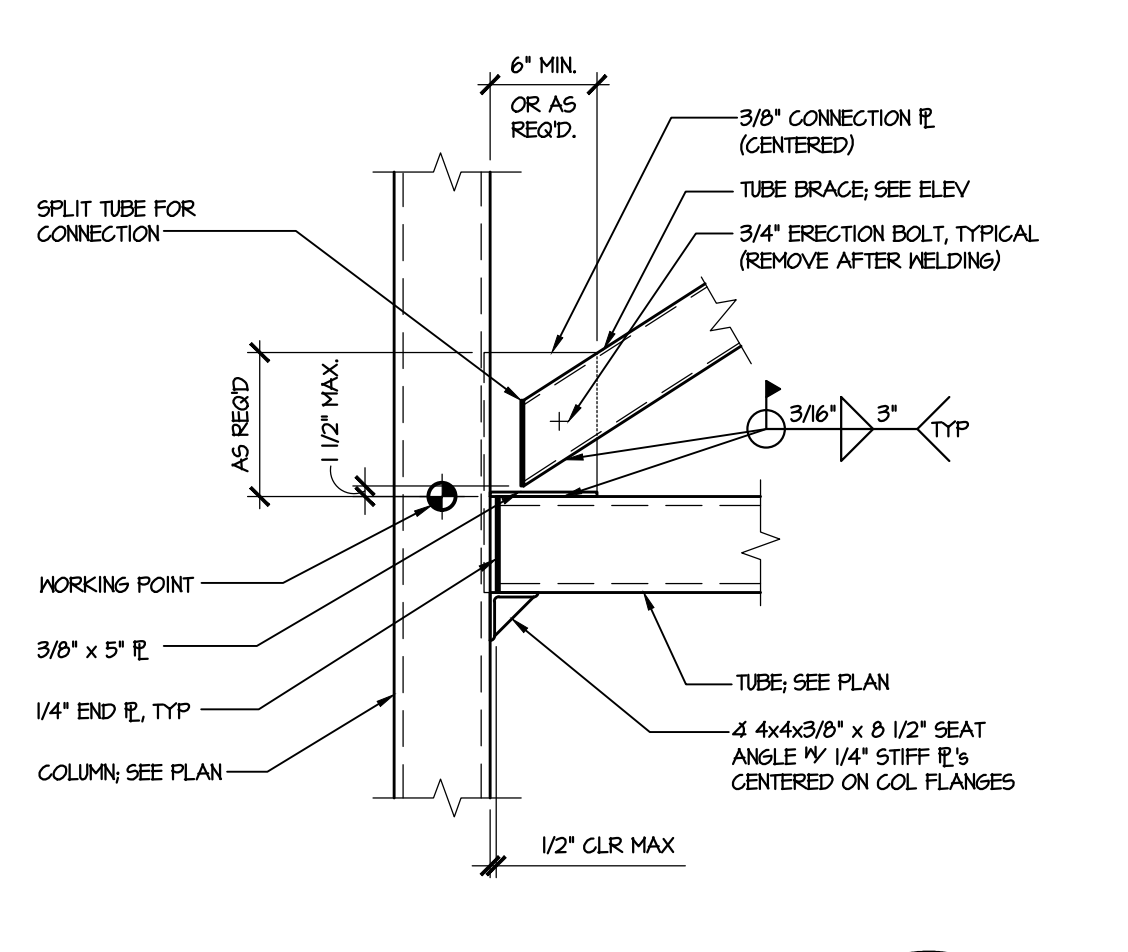
SECTION
SCALE: 1 1/2" = 1'-0"



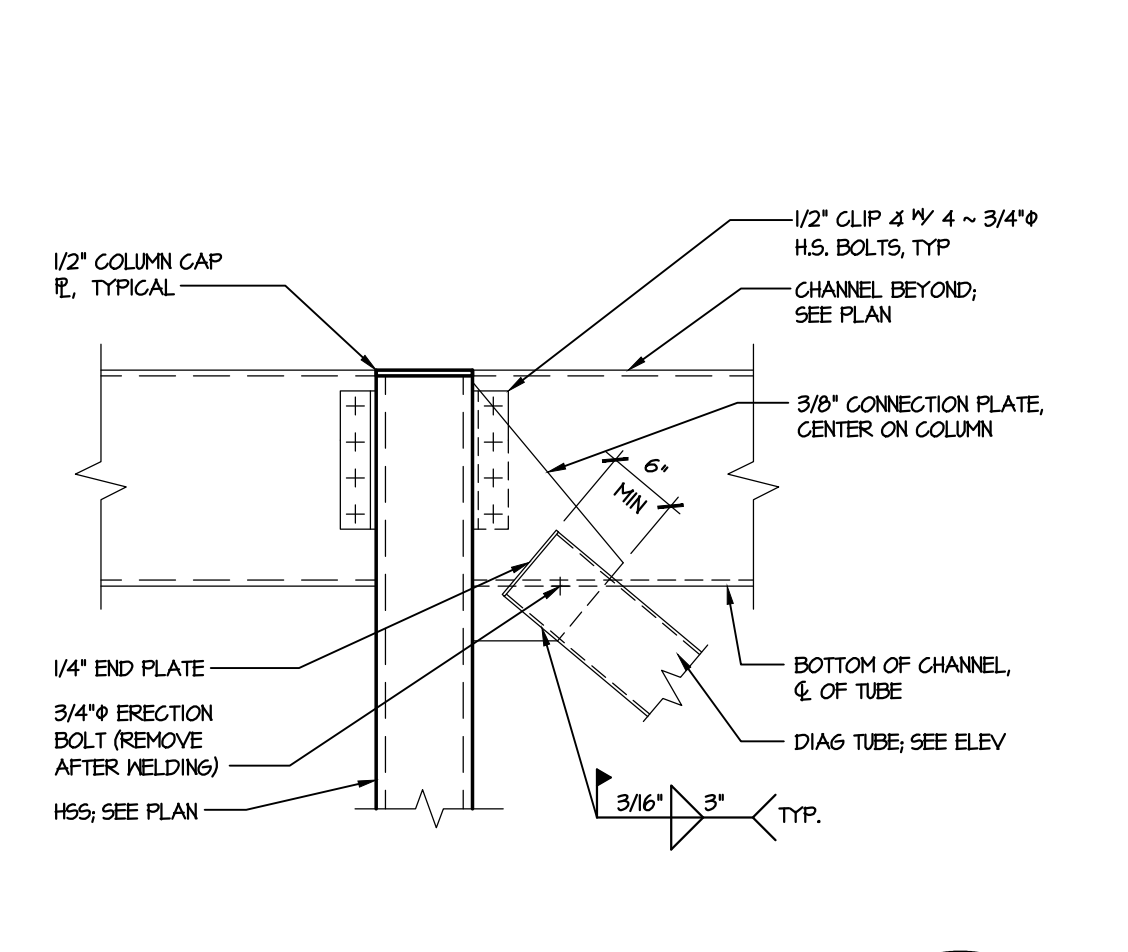
DETAIL
SCALE: 3/4" = 1'-0"



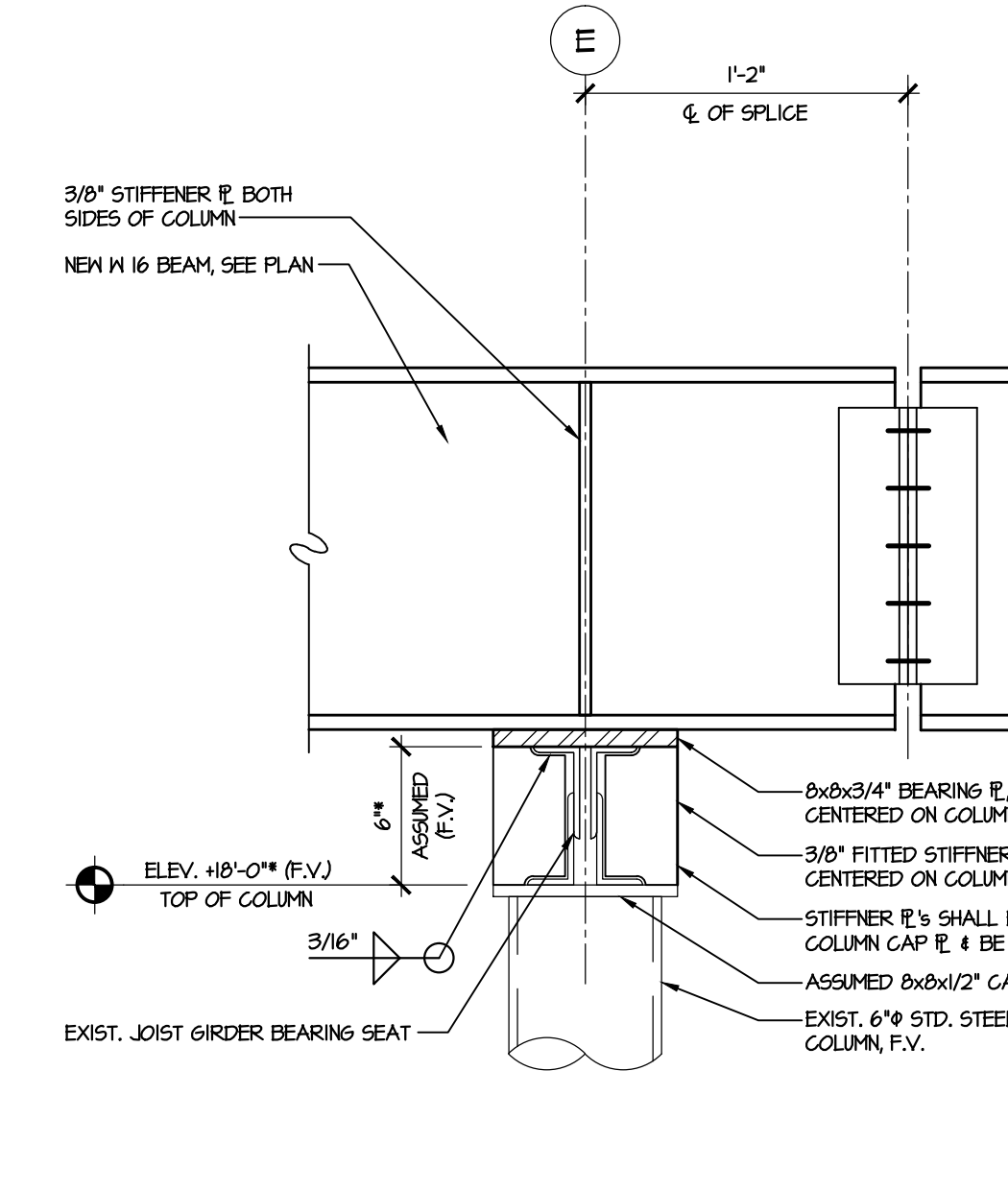
DETAIL
SCALE: 3/4" = 1'-0"



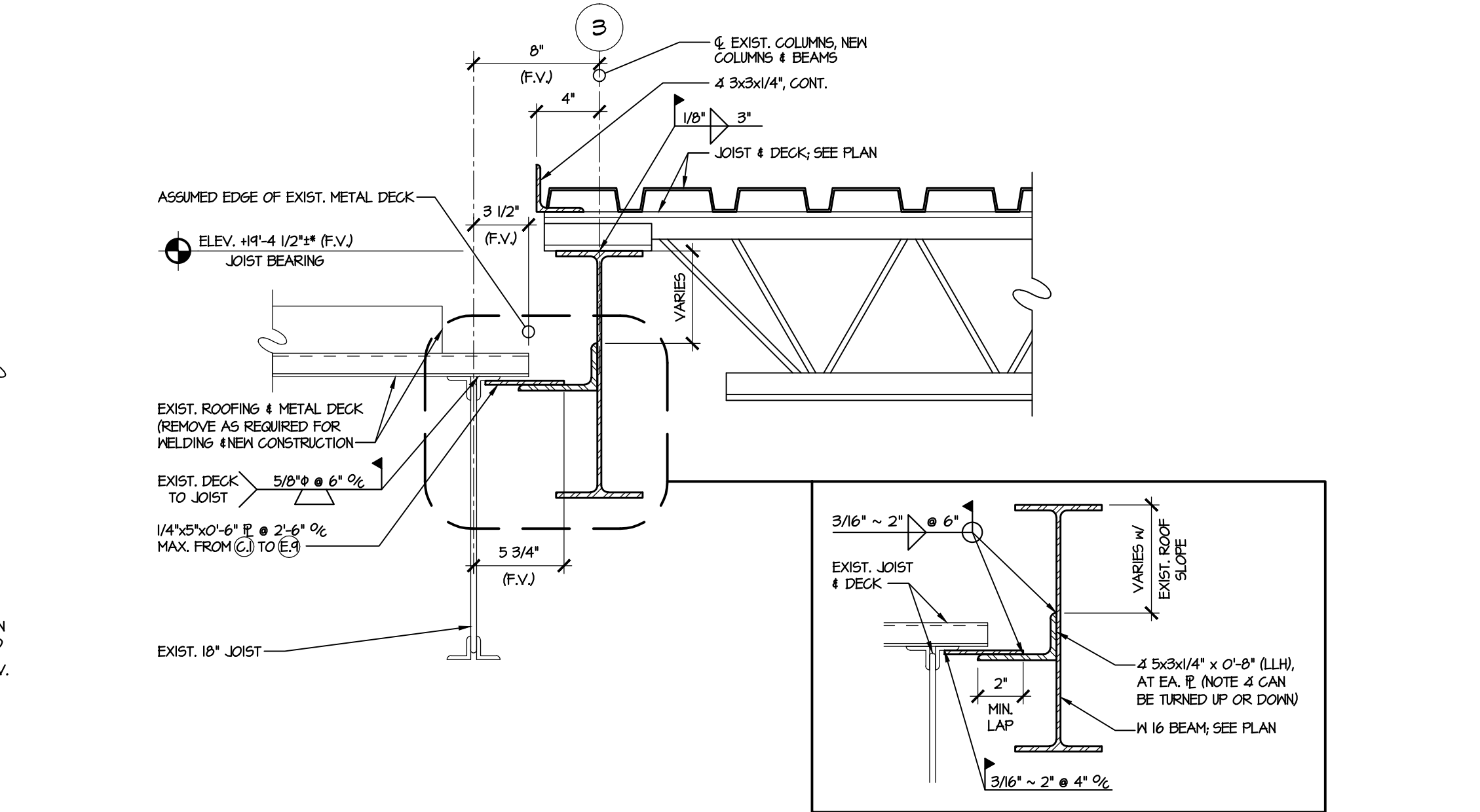
DETAIL
SCALE: 3/4" = 1'-0"



DETAIL
SCALE: 3/4" = 1'-0"



BEAM TO COLUMN CONNECTION AT GRID B & E
SCALE: 1 1/2" = 1'-0"



NEW TO EXISTING BEARING CONNECTION
SCALE: 1 1/2" = 1'-0"

| REVISIONS | Date |
|-----------|------|
| No. | Date |
| No. | Date |
| No. | Date |
| No. | Date |
| No. | Date |
| No. | Date |
| No. | Date |
| No. | Date |
| No. | Date |
| No. | Date |
| No. | Date |