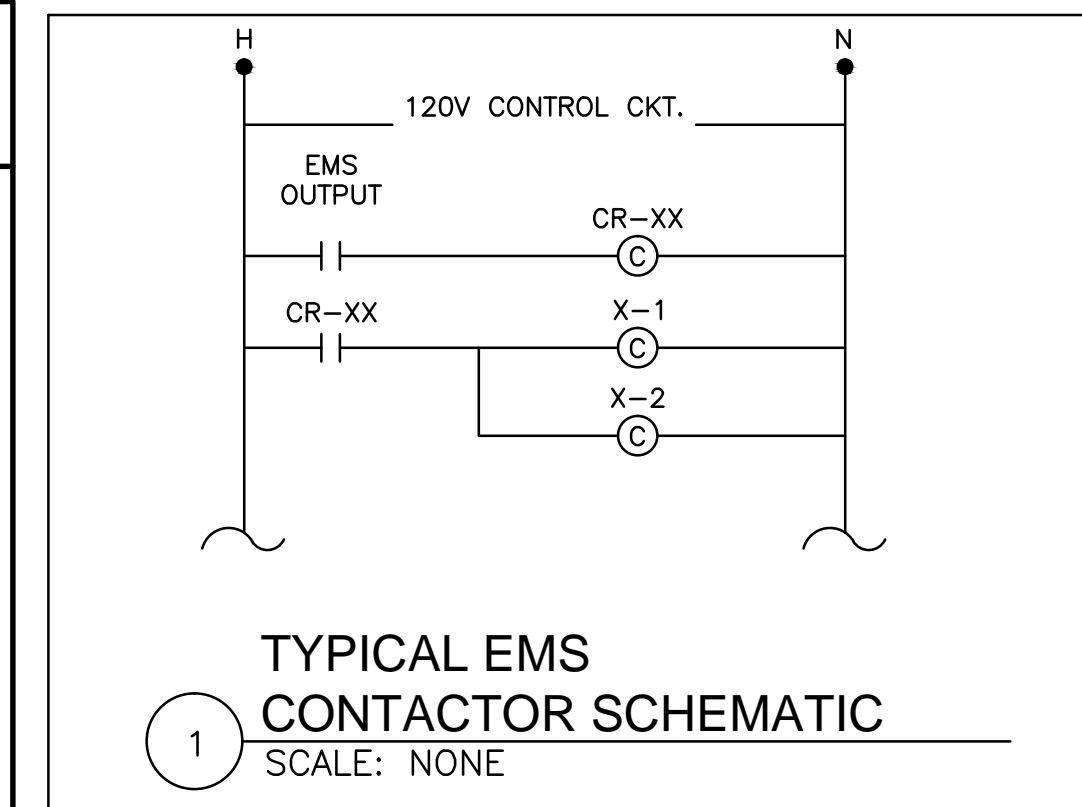


**EMS CONTACTOR SCHEDULE - EXISTING WORK SHOWN IN ITALICS, NEW WORK SHOWN BOLD**

CONTROL POINT	EMS I/O POINT	CONTROL CIRCUIT	CONTACTOR TYPE	CIRCUITS CONTROLLED	DESCRIPTION	COMMENTS
A	<i>BRC-BD5-O1</i>	M-12	(4) 3 POLE / 20A	<i>LPA-43,45,47,49,51,53,55,57,59,61</i>	50% SALES LIGHTING (ON)	EXISTING CONTACTORS
B	<i>BRC-BD5-O2</i>	M-12	(8) 3 POLE / 20A	<i>LPA-44,46,48,50,52,54,56,58,60,62,64,66,68</i>	50% SALES LIGHTING (OFF)	EXISTING CONTACTORS
C1	<i>BRC-BD5-O3</i>	M-14	(2) 3 POLE / 20A	<i>LPA-8,10</i>	EXTERIOR LIGHTING	EXISTING CONTACTORS
C2	<i>BRC-BD6-O6</i>	M-14	(2) 3 POLE / 20A	<i>F-14,16,18</i>	EXTERIOR LIGHTING	EXISTING CONTACTORS
D	<i>BRC-BD5-O4</i>	M-14	(2) 3 POLE / 20A	<i>LPA-1,3</i>	GONDOLA LIGHTING	EXISTING CONTACTORS
E	<i>BRC-BD5-O5</i>	M-14	(3) 3 POLE / 20A	<i>LPA-2,4,6, 19,21,23</i>	WALLWASH / CANOPY LIGHTING	EXISTING CONTACTORS
F	<i>BRC-BD5-O6</i>	M-14	(2) 3 POLE / 20A	<i>LPA-14,16</i>	PREP AREA LIGHTING	EXISTING CONTACTORS
G	<i>BRC-BD7-O1</i>	RP-25	(6) 3 POLE / 20A	<i>LPB-21,23,25,27,29,31,28,30,32,33,34,36</i>	EXTERIOR SIGNS	EXISTING CONTACTORS
H2	<i>BRC-BD7-O2</i>	RP-25	(4) 3 POLE / 20A	<i>LPB-12,14,16,18,20</i>	WINE ACCENT TRACK LIGHTING	EXISTING CONTACTORS
H1	<i>BRC-BD6-O1</i>	RP-27	(4) 3 POLE / 20A	<i>CA-5,15,17,19,22</i>	ACCENT TRACK LIGHTING	EXISTING CONTACTORS
J1	<i>BRC-BD6-O2</i>	RP-27	(4) 3 POLE / 20A	SPARE	WAS NEON	EXISTING CONTACTORS
J2	<i>BRC-BD7-O3</i>	RP-25	(4) 3 POLE / 20A	SPARE	WAS NEON	EXISTING CONTACTORS
K	<i>BRC-BD5-O7</i>	DB-51	(1) 3 POLE / 20A	X-2	EGRESS LIGHTING	EXISTING CONTACTORS
L	<i>BRC-BD7-O4</i>	RP-29	225A PANEL CONTACTOR	PANEL RPL	REFRIGERATED CASE LIGHTS	EXISTING CONTACTOR
L2	<b>BRC-BD7-O5</b>	<b>RP-29</b>	<b>(2) 3 POLE / 20A</b>	<b>RPL-65,67,69,71,73,44</b>	<b>BEER REF. CASELIGHTS</b>	PROVIDE NEW CONTACTORS IN ENCLOSURE M MOUNTED ABOVE PANEL. ROUTE EXISTING CIRCUITS THRU CONTACTOR.
M	<b>BRC-BD6-O7</b>	<b>DB-48</b>	<b>(2) 3 POLE / 20A</b>	<b>LPC-1,3,5,7</b>	<b>PRODUCE TRACK LIGHTS</b>	PROVIDE NEW CONTACTORS IN ENCLOSURE M MOUNTED ABOVE PANEL. ROUTE CIRCUITS INDICATED THRU CONTACTOR.
N	<i>BRC-BD6-O3</i>	DB-48	(2) 3 POLE / 20A	<i>DB-17,39,41,38,40,42</i>	DB EXHAUST HOOD	EXISTING CONTACTORS
N	<i>BRC-BD6-O3</i>	DB-48	(2) 3 POLE / 20A	<i>DB-6,10,19,23,27</i>	DB COOKING HOOD EQUIPMENT	EXISTING CONTACTORS
N	<i>BRC-BD6-O3</i>	EXISTING	DEFINITE PURPOSE 30A 4P	<i>E-2,4,16,18</i>	PIZZA HEAT LAMPS / PIZZA HOOD & CONTROLS	EXISTING CONTACTORS
N	<i>BRC-BD6-O3</i>	EXISTING	DEFINITE PURPOSE 30A 4P	<i>E-1,3,5</i>	MARKET HALL EQUIP. (PIZZA OVEN)	EXISTING CONTACTORS
M	<i>BRC-BD6-O8</i>	DB-50	DEFINITE PURPOSE 60A / 3P	<i>DB-79,81,83</i>	MARKET HALL EQUIP. (CHICKEN WARMER)	EXISTING CONTACTORS
M	<i>BRC-BD6-O8</i>	DB-50	DEFINITE PURPOSE 30A / 3P	<i>DB-56</i>	MARKET HALL EQUIP. (SALAD BAR SOUP)	EXISTING CONTACTORS
M	<i>BRC-BD6-O8</i>	DB-50	DEFINITE PURPOSE 100A / 3P	<i>E-8,10,12</i>	MARKET HALL (HOTBAR)	EXISTING CONTACTORS
P	<i>BRC-BD6-O4</i>	DB-50	(1) 3 POLE / 20A	<i>DB-14,16</i>	PROOFER / OVEN CONTROLS	EXISTING CONTACTORS
Q	<i>BRC-BD6-O5</i>	DB-52	(2) 3 POLE / 20A	SPARE	WAS END CAP LIGHTING	EXISTING CONTACTORS

**CONTACTOR SCHEDULE AND PANEL GENERAL NOTES:**

- ALL CONTROL WIRING SHALL BE #12 AWG IN CONDUIT UNLESS OTHERWISE NOTED.
- TIME SCHEDULE FOR LIGHTING CONTROL FOR EACH CONTROL POINT SHALL BE STAGGERED BY AT LEAST 5 SECONDS TO AVOID HIGH INRUSH CURRENTS.
- CONTACTORS USED FOR LIGHTING CONTROL SHALL MATCH EXISTING TYPE AND MANUFACTURER CURRENTLY USED IN STORE.
- PROVIDE CONTROL RELAY FOR CONTACTOR CONTROL AHEAD OF ALL EMS BOARD RELAY OUTPUTS. CONTROL RELAYS SHALL BE 120V / 10A CUBE TYPE RELAYS. ABB CR-M120AC2 OR EQUAL.
- CONTACTORS SHALL BE LABELED AS INDICATED IN THE SCHEDULE.
- NEW CONTACTOR CABINET ENCLOSURES SHALL BE NEMA 12 WITH HINGED COVERS.
- CONTACTOR CABINETS, CONTACTORS, RELAYS, WIRING, AND OTHER ANCILLARY MATERIALS REQUIRED TO BUILD CONTACTOR CABINETS OR MODIFY EXISTING CABINETS SHALL BE PROVIDED, CONSTRUCTED AND INSTALLED BY THE ELECTRICAL CONTRACTOR.



NOTE: THIS DOCUMENT MAY HAVE BEEN ELECTRONICALLY TRANSMITTED. IF UNSIGNED, IT CANNOT BE FILED FOR PUBLIC RECORD. PUBLIC RECORD FILINGS REQUIRE SIGNED AND SEALED DOCUMENTS.

Electronically Signed By:  
Robert K Stacy  
Using KdenTrust Certificate  
2016.08.24 14:59:50-04'00'

HARRIS TEETER  
STORE # 208  
COTSWOLD SHOPPING  
CENTER  
CHARLOTTE, NC

PROJECT MANAGER  
RNOX STACY  
JOB NO.  
15-H12208-02  
DR. BY.  
MIV

REVISIONS

No.	Date

DRAWING NAME

**LIGHTING ENERGY MANAGEMENT SYSTEM**