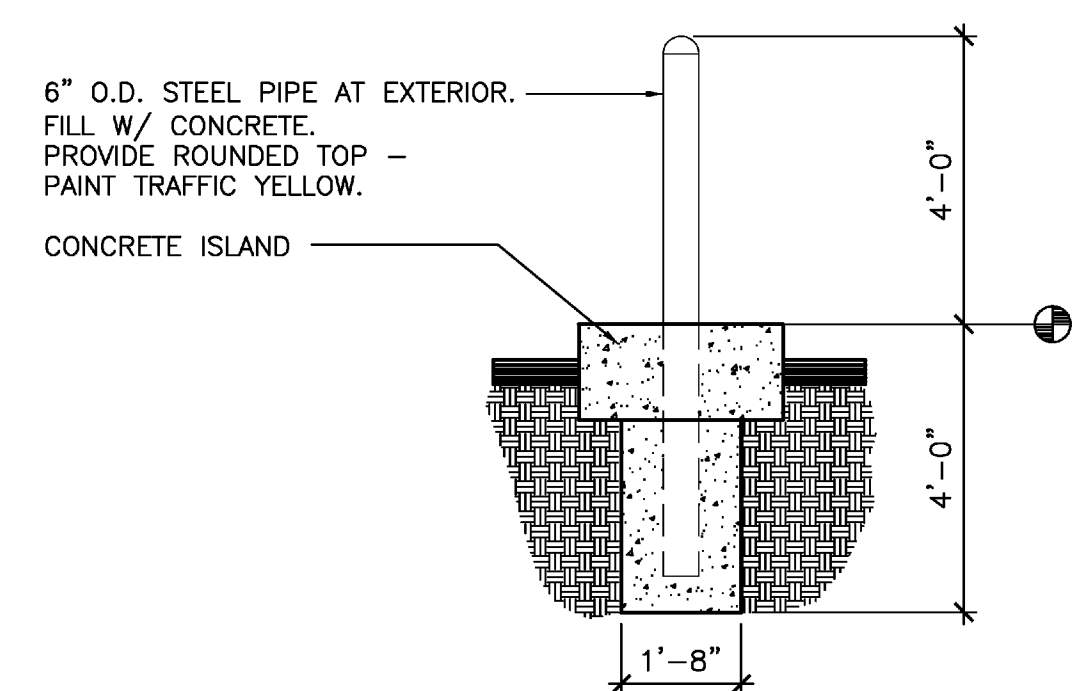


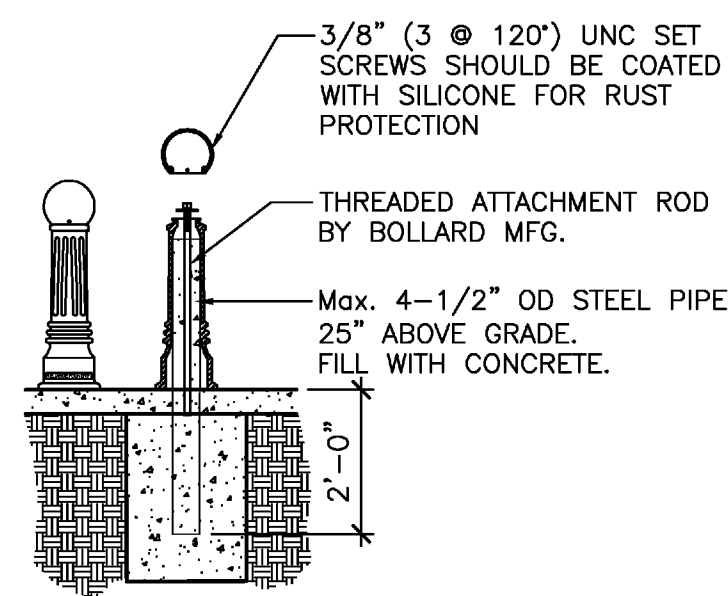
1 FLOOR PLAN
SCALE: 3/32" = 1'-0"

Finish Materials		
MATERIAL	COLOR	DESCRIPTION / REMARKS
MISCELLANEOUS		
FCC	EDON # EC-120.1 MODERN TUSCAN w/ ENTASIS	PAINTED TO MATCH EIFS-1 COLOR
	RELANCE FOUNDRY CO. LTD. BOLLARDS R-7592	BLACK SEMI-GLOSS TEXTURED
		PROVIDE "SECURITY ANTI-RAM" PIPE OPTION
ALUMINUM SOFFIT		
SF1	SOLID/VENTED SOFFIT PANELS/ TRIM	TO MATCH PAC-CLAD - "PAC 750" SOFFIT, "BONE WHITE"
SEALANTS		
ES-1	SEALANT AT MASONRY	MATCH MORTAR AT MASONRY WALLS
ES-2	SEALANT AT EIFS	MATCH EIFS AT EIFS WALLS
FLASHING AND SHEET METAL		
FL-1	PARAPET EDGE TRIM AT EIFS	PREFINISHED ALUMINUM, PAC-CLAD "ALMOND"
FL-2	SCUPPERS & DOWNSPOUTS	PREFINISHED ALUM., PAC-CLAD COLOR TO BE SELECTED FROM MANUF. STD. COLORS
FL-4	FLASHING AT BRICK	PREFINISHED ALUMINUM, PAC-CLAD "TERRA COTTA"
FL-5	METAL ROOF PANELS "STANDING SEAM"	MATCH STOREFRONT COLOR
FL-6	FLASHING AT EIFS MOULDINGS	SEE SECTIONS & DETAILS

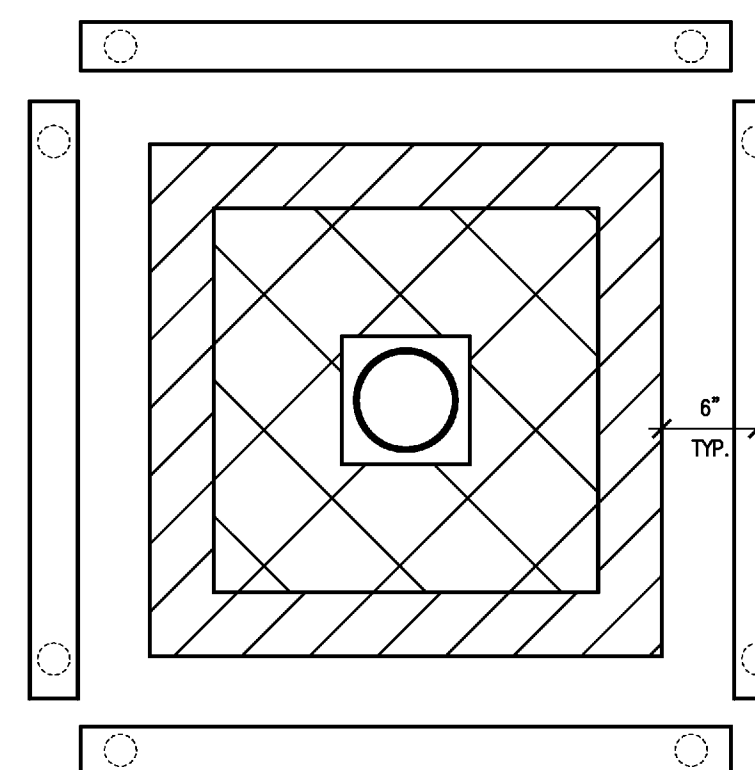
- KEY NOTES:**
- EXTERIOR DECORATIVE PIPE BOLLARD. SEE FINISH SCHEDULE FOR ADDITIONAL INFORMATION AND DETAIL 5/A1.2
 - 2X2 PREFINISHED METAL ACCESS PANEL. COLOR TO MATCH SOFFIT PANELS.
 - FULLY PERFORATED METAL SOFFIT PANEL EVERY EIGHTH PANEL MINIMUM, TYP.
 - EXISTING EIFS SOFFIT TO REMAIN. REPAIR AS NECESSARY.
 - EXISTING METAL SOFFIT PANELS.
 - G.C. TO PROVIDE ALTERNATE PRICING FOR INSTALLATION OF NEW METAL SOFFIT PANELS AND ANY REQUIRED SUPPORT FRAMING. VERIFY EXTENTS IN FIELD.
 - NEW STAINLESS STEEL BUMPERS. SEE DETAIL 3/A1.2



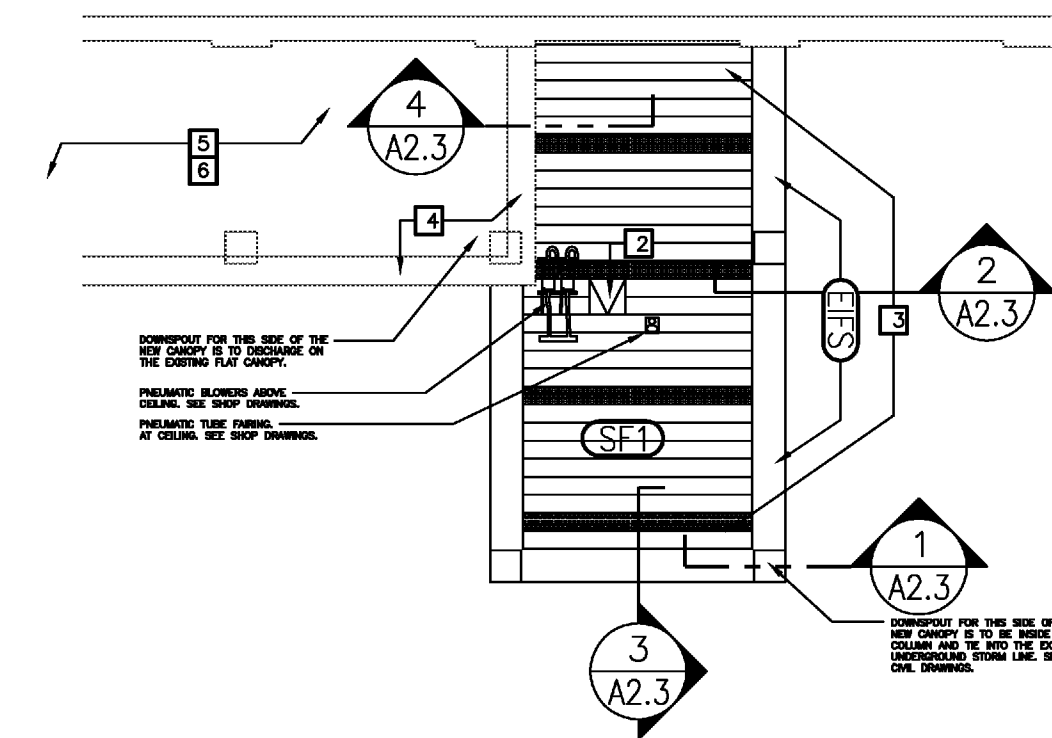
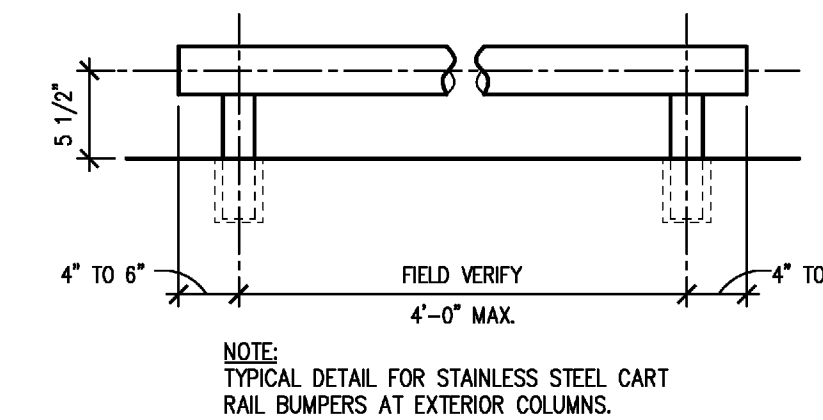
4 DETAIL - BOLLARD AT ISLAND
SCALE: 3/8" = 1'-0"



5 DECORATIVE BOLLARD COVER
SCALE: 3/8" = 1'-0"



3 STAINLESS STEEL CART RAIL BUMPER DETAIL
SCALE: 1" = 1'-0"



2 REFLECTED PLAN
SCALE: 3/32" = 1'-0"

PROJECT MANAGER
RB
JOB NO.
11-RSC Cochran-00
DR. BY.
RB

REVISIONS	
No.	Date

DRAWING NAME

DRIVE THRU PLAN

SHEET NO.

A1.2

ISSUE DATE: 09.05.11