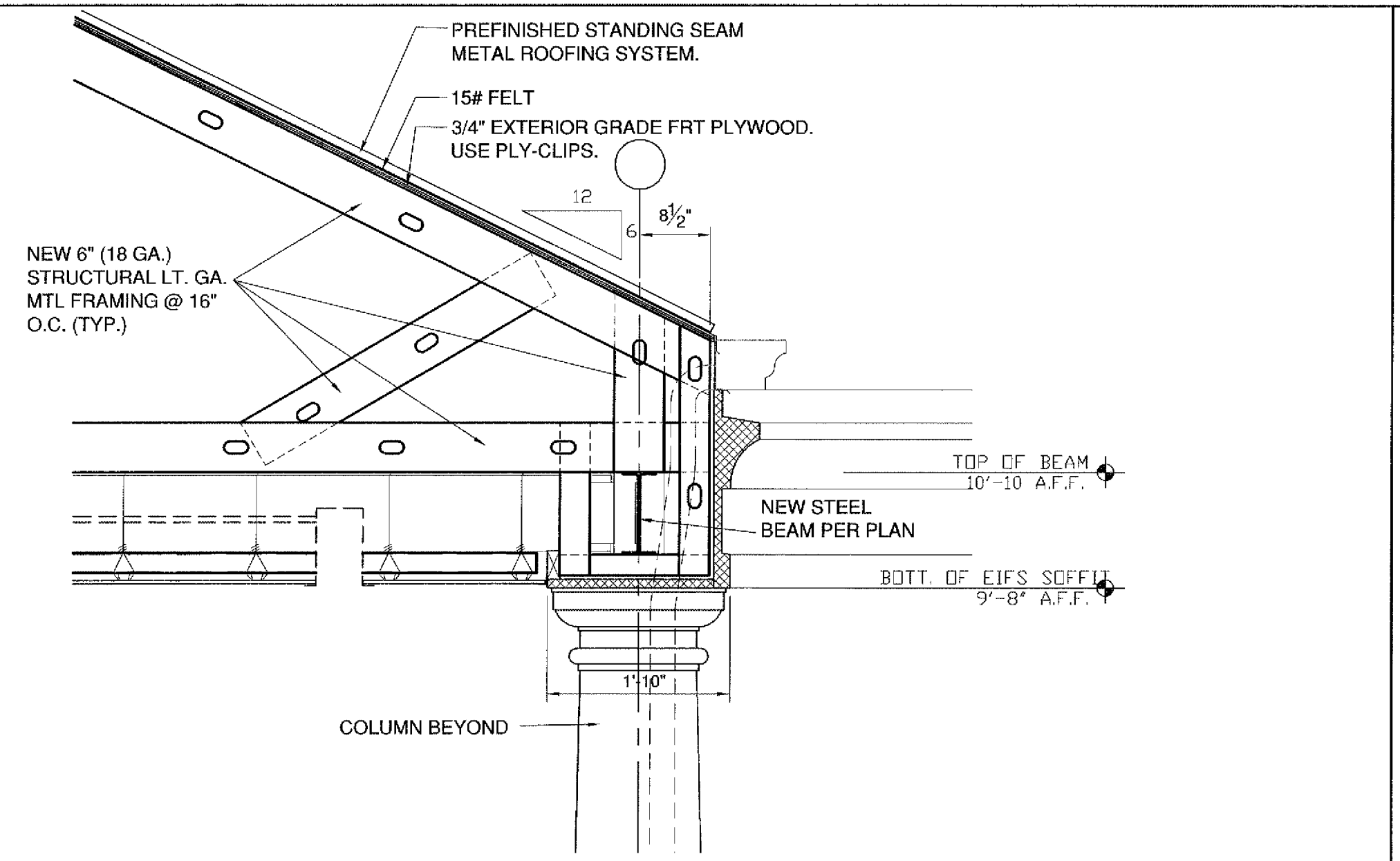
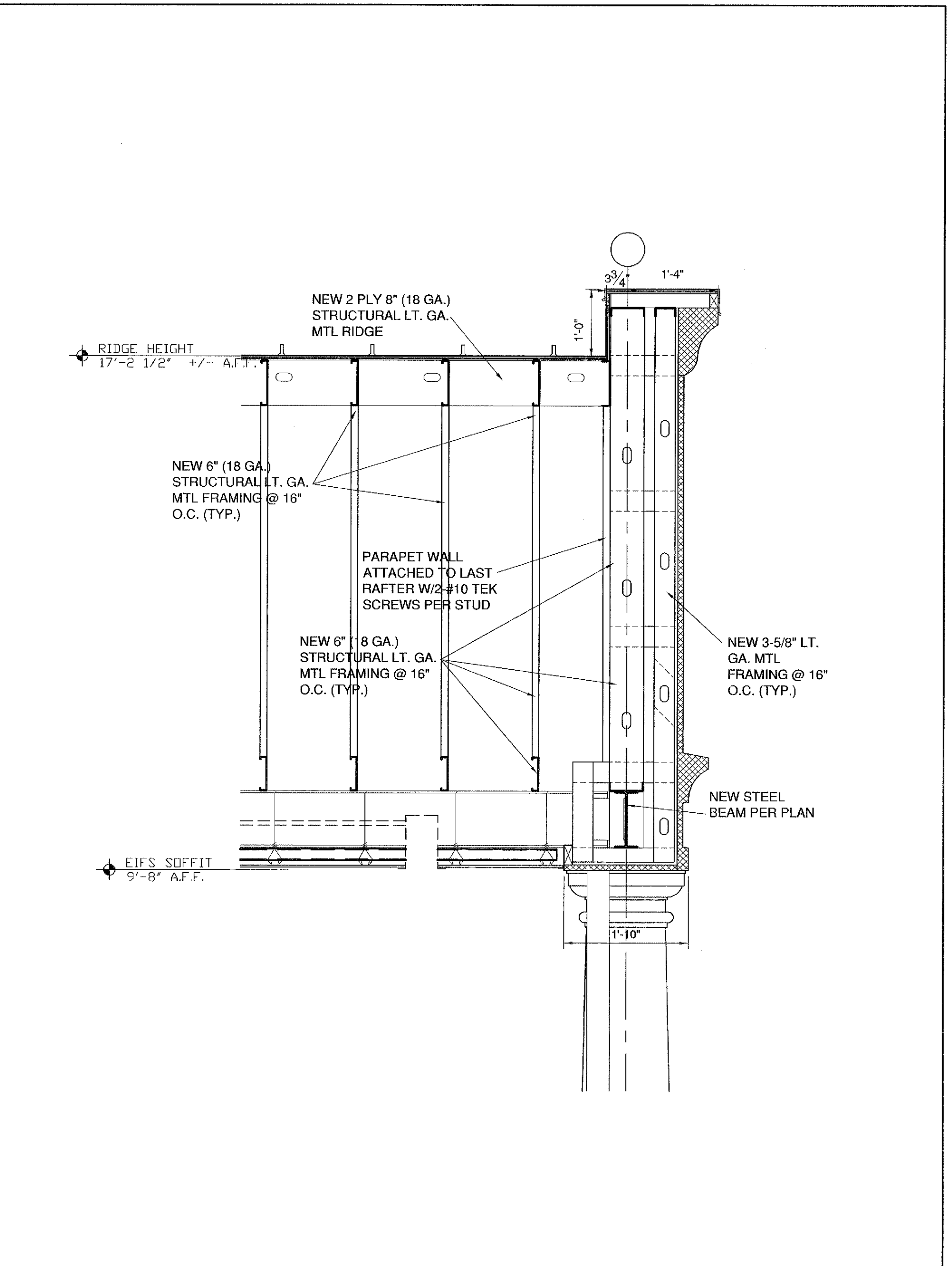


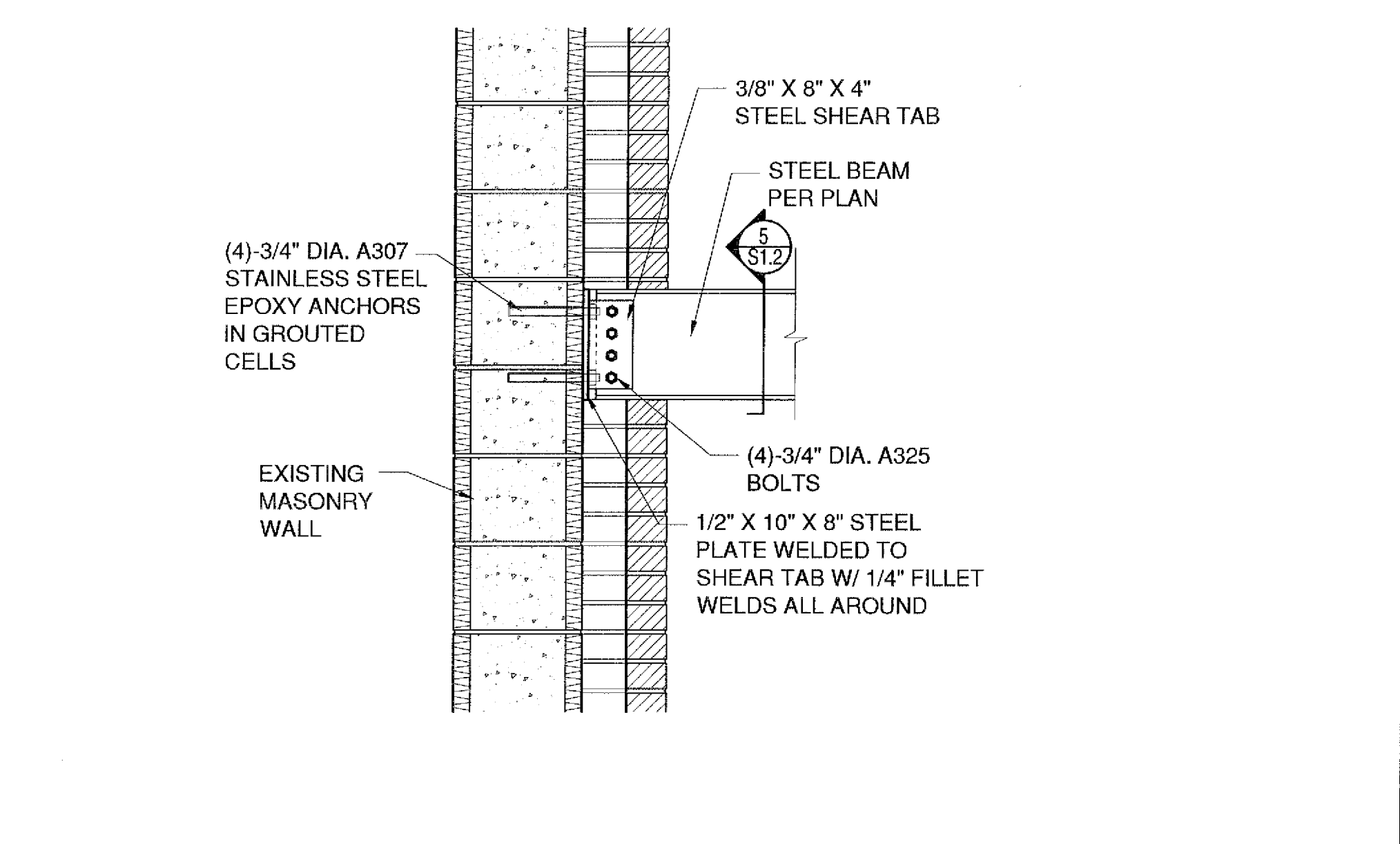
1 TYPICAL NEW CANOPY GABLE END DETAIL
 S1.2 SCALE: 3/4" = 1'-0"



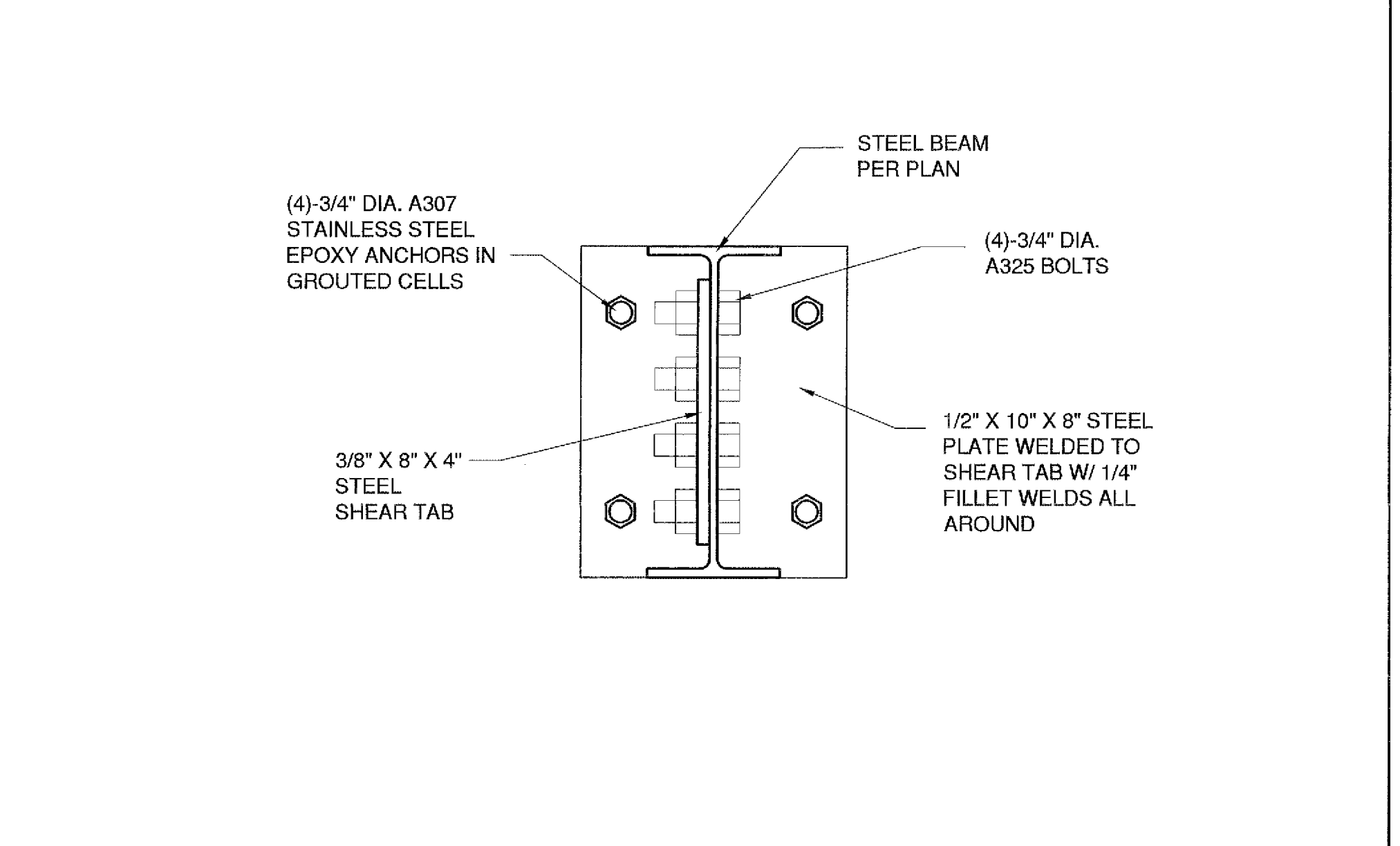
2 NEW CANOPY GABLE END @ EXISTING CANOPY
 S1.2 SCALE: 3/4" = 1'-0"



3 TYP. PARAPET WALL DETAIL AT NEW CANOPY
 S1.2 SCALE: 3/4" = 1'-0"



4 STEEL BEAM TO EXISTING MASONRY WALL CONNECTION
 S1.2 SCALE: 1" = 1'-0"



5 SHEAR TAB TO PLATE AT MASONRY WALL
 S1.2 SCALE: 3" = 1'-0"

PROJECT MANAGER
 RB
 JOB NO.
 11-HSC Cochran-00
 DR. BY
 RB

REVISIONS

No.	Date	
No.	Date	
No.	Date	
No.	Date	
No.	Date	
No.	Date	
No.	Date	
No.	Date	
No.	Date	
No.	Date	
No.	Date	