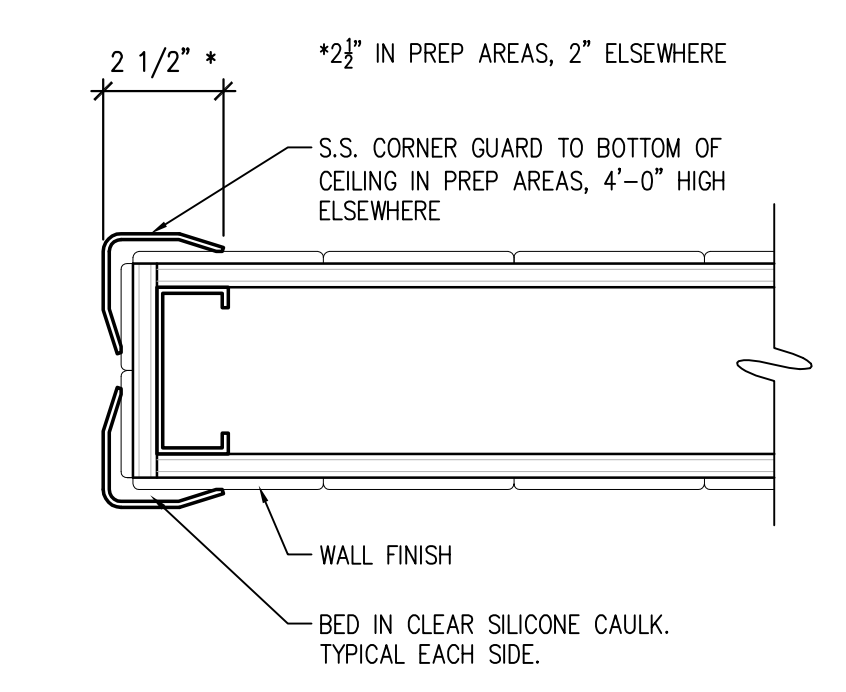


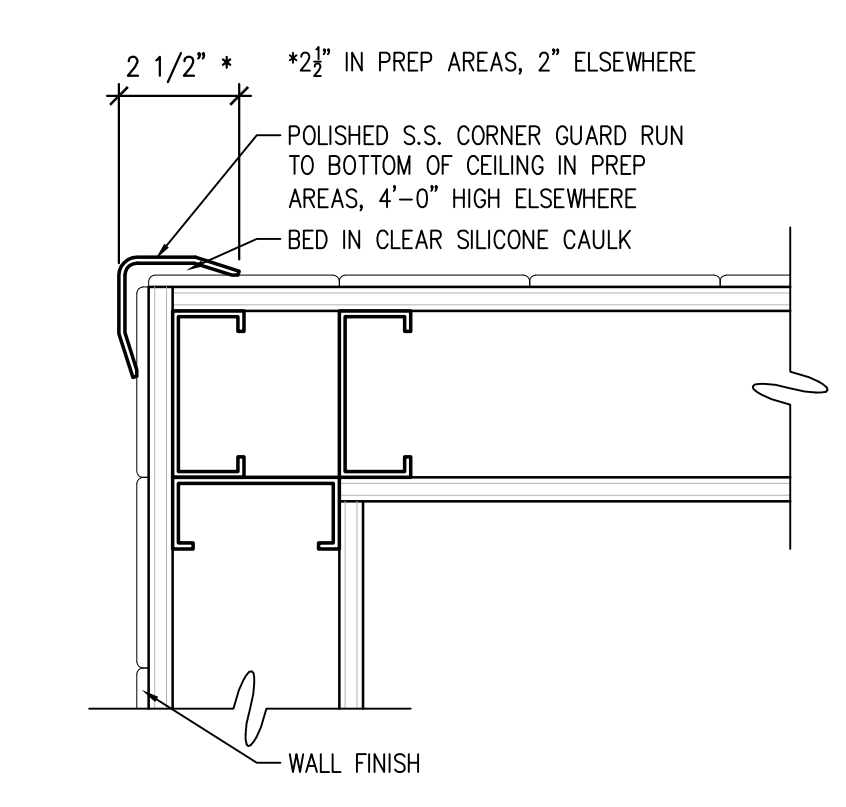
1 FLOOR PLAN
SCALE: 3/32" = 1'-0"

- GENERAL NOTES:**
- THE GENERAL CONTRACTOR SHALL PROVIDE 4" VINYL BASE AT ALL AREAS OF WALL NOT COVERED BY FIXTURES OR MILLWORK.
 - THE GENERAL CONTRACTOR SHALL PROVIDE BLOCKING IN WALL AS NECESSARY WHERE OWNER SUPPLIED EQUIPMENT/ACCESSORIES ARE TO BE INSTALLED. VERIFY WITH HT PM.
 - DIMENSIONS INDICATED ARE TO FACE OF CMU, CENTERLINE OF METAL STUDS, OR CENTERLINE OF DOOR UNLESS OTHERWISE NOTED. G.C. TO VERIFY EXISTING DIMENSIONS PRIOR TO CONSTRUCTION.
 - H.T. TO PURCHASE, AND REFRIGERATION CONTRACTOR TO INSTALL STAINLESS STEEL CASE GUARDS. SEE FIXTURE PLAN FOR LOCATION OF CASE GUARDS. INSTALL WITH POLIROCK M AND E MANUFACTURER 1-845-333-2110 MODEL NO. -- CGT-24-S TO BE USED IN ALL CASES.
- EXAMPLE:**
-
- KEY NOTES:**
- LAST 12" OF WALL TO EXTEND UP TO 6" ABOVE CEILING FOR UTILITIES TO SERVE ISLAND.
 - CORNER GUARD. SEE DETAIL 3 AND 4/A1.2.
 - CHEESE/PIZZA CANOPY BY DECOR. DECOR TO INCLUDE THE CEILING GRID AND VINYL COATED ACOUSTICAL TILE.
 - PATCH EPOXY TO MATCH EXISTING.
 - PATCH VCT TO MATCH EXISTING.
 - PATCH VCT AND EPOXY AS NEEDED TO MATCH EXISTING FROM UTILITIES TRENCHING. SEE PLUMBING DRAWINGS FOR EXTENTS.
 - PAINT DUCT FOR PIZZA HOOD TO MATCH DRY FOG COLOR. SEMI GLOSS PAINT.
- FLOOR FINISH NOTES:**
- VINYL COMPOSITION TILE
 - RUBBER FLOOR
- TRANSITION DETAILS**
-
- CEILING TILE SCHEDULE**
- APC3 2'x4' VINYL FACED TILES

- NOTES:**
- VCT INSTALLER WILL BE RESPONSIBLE FOR GRINDING ALL SAW JOINTS AND COLD CONCRETE JOINTS AND LEVEL AS NECESSARY PRIOR TO INSTALLATION OF VCT.
- NOTES:**
- THIS PLAN INDICATES AREAS OF SLAB TO BE DEMOLISHED RELATED TO FLOOR FINISHES ONLY. SEE ENGINEERING DRAWINGS FOR SLAB EXCAVATION RELATIVE TO REFRIGERATION, PLUMBING, AND ELECTRICAL WORK.
 - G.C. TO REMOVE ALL EXISTING FLOOR FINISHES AND ANY ASSOCIATED ADHESIVES IN MAIN SALES AREA AND OTHER AREAS TO BE DEMOLISHED AND/OR REFURBISHED. PREPARE FLOOR TO RECEIVE NEW FLOOR FINISHES PER MANUFACTURER'S SPECIFICATIONS. COORDINATE EXTENTS IN FIELD.



4 S.S. CORNER GUARD DETAIL
SCALE: 3" = 1'-0"



3 S.S. CORNER GUARD DETAIL
SCALE: 3" = 1'-0"

PROJECT MANAGER
HAILEY SHANE

JOB NO.
14-HT22-02

DR. BY
DCH

REVISIONS	No.	Date

DRAWING NAME

FLOOR PLAN