

HOOD FIRE SUPPRESSION SYSTEMS

A. PROVIDE A UL LISTED, PRE-ENGINEERED FIRE SUPPRESSION SYSTEM FOR PROTECTION OF THE DUCT, PLENUM, FILTERS AND APPLIANCES FOR ALL GREASE-LADEN EXHAUST SYSTEMS (VERIFY COOKING EQUIPMENT LINE-UP WITH OWNER).

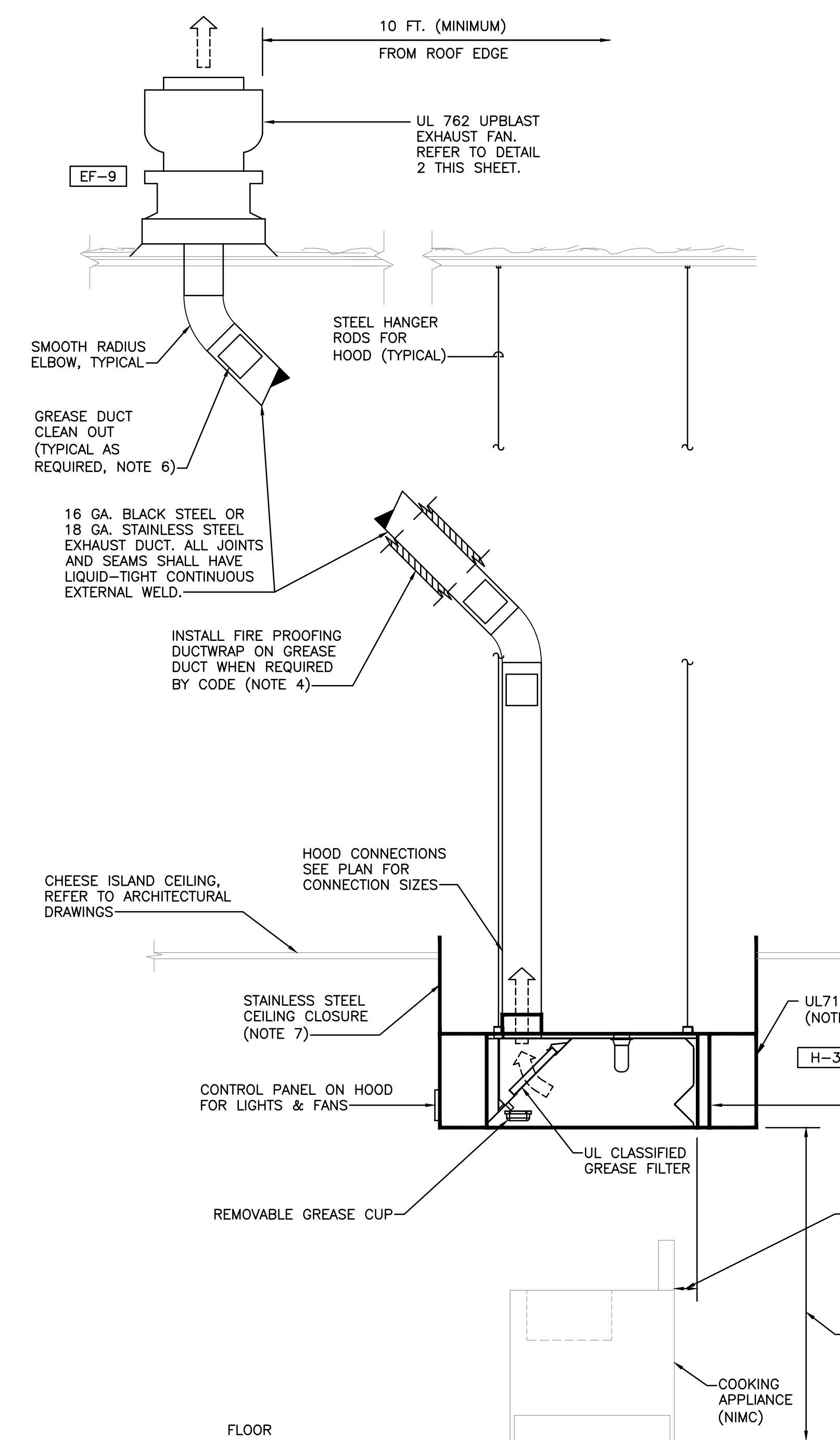
B. HOOD FIRE SUPPRESSION SYSTEMS SHALL BE INSTALLED IN ACCORDANCE WITH THE REQUIREMENTS OF THE LOCAL JURISDICTION AND ALL APPLICABLE CODES AND REGULATORY AGENCIES. INSTALLATION OF THE SYSTEM SHALL BE PERFORMED ONLY BY A FIRE SYSTEM DISTRIBUTOR TRAINED AND QUALIFIED TO INSTALL THE SPECIFIC SYSTEM BEING PROVIDED. THE FIRE SYSTEM DISTRIBUTOR SHALL SUBMIT PLANS AND ACQUIRE ALL PERMITS AND APPROVALS NECESSARY FOR PROPER INSTALLATION AND FINAL ACCEPTANCE.

C. SYSTEM SHALL OPERATE AUTOMATICALLY AND BY A MANUAL PULL STATION. MANUAL PULL STATION LOCATIONS SHALL BE APPROVED BY THE LOCAL FIRE MARSHAL OR BUILDING INSPECTOR AND SHALL BE LABEL/IDENTIFIED IN AN APPROVED MANNER.

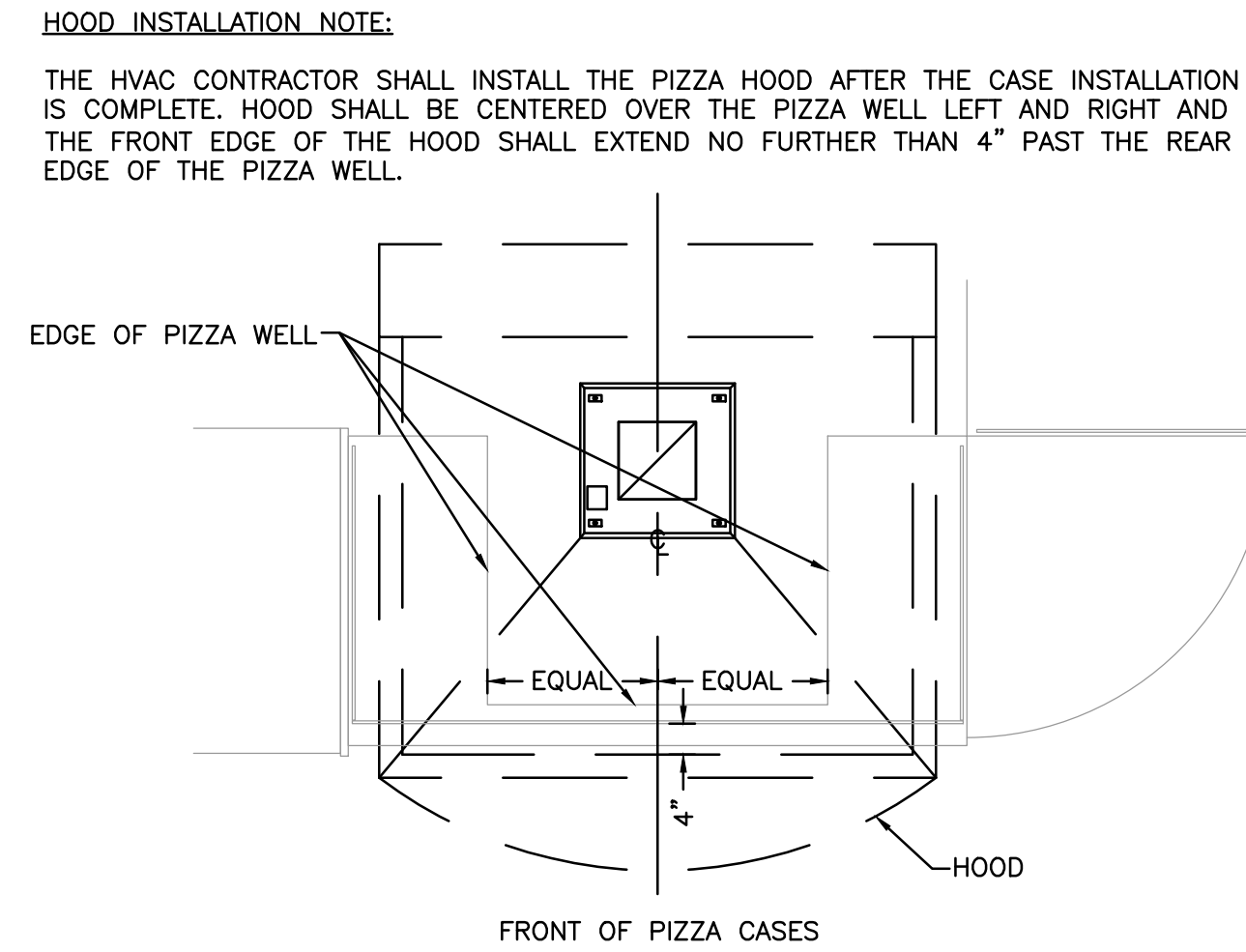
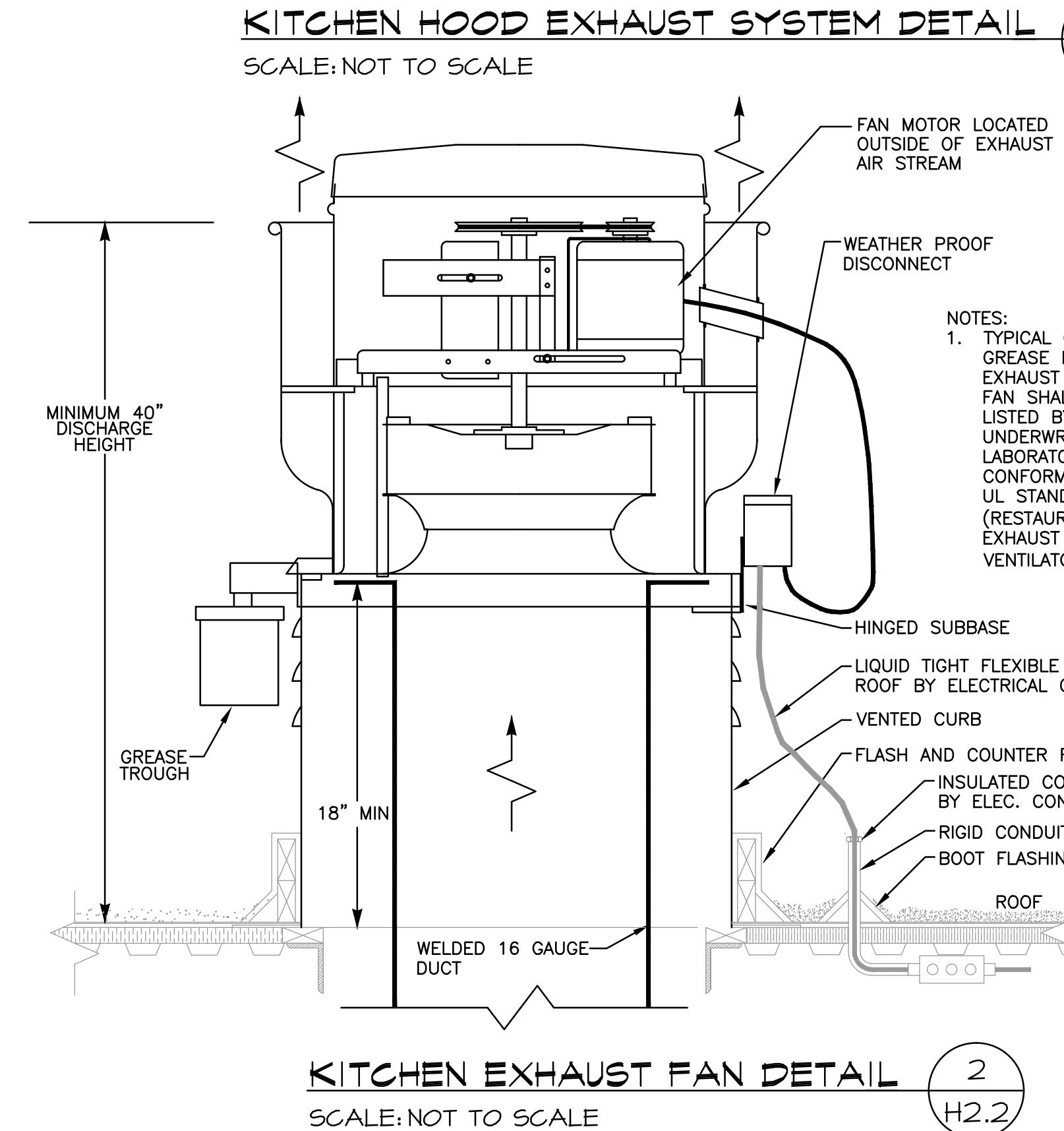
D. ACTIVATION OF THE HOOD FIRE SUPPRESSION SYSTEM SHALL AUTOMATICALLY SHUT-OFF ALL POWER TO THE COOKING EQUIPMENT. AUTOMATIC GAS SHUT-OFF VALVES SHALL BE MECHANICALLY OPERATED AND FURNISHED AS PART OF THE HOOD FIRE SUPPRESSION SYSTEM FOR INSTALLATION BY THE PLUMBING CONTRACTOR. ELECTRIC APPLIANCES SHALL AUTOMATICALLY SHUT DOWN BY A MICRO SWITCH WIRED THROUGH A SHUNT TRIP BREAKER. SHUNT TRIP BREAKERS, WHEN REQUIRED, SHALL BE FURNISHED AND INSTALLED BY THE ELECTRICAL CONTRACTOR.

E. HOOD FIRE SUPPRESSION SYSTEMS SHALL BE CONNECTED TO THE STORE'S FIRE ALARM SYSTEM.

F. AFTER INSTALLATION, THE FIRE SYSTEM DISTRIBUTOR SHALL CONDUCT ANY AND ALL TESTS REQUIRED TO DEMONSTRATE PROPER OPERATION OF THE SYSTEM. ALL HOOD FIRE SUPPRESSION SYSTEMS SHALL BE TURNED OVER TO THE OWNER WITH FULLY CHARGED CYLINDERS.



- NOTES:
- DETAIL SHOWN FOR GENERAL ARRANGEMENT ONLY. HOOD EXHAUST SYSTEM SHALL BE INSTALLED IN ACCORDANCE WITH NFPA 96, AND ALL STATE AND LOCAL CODES. REFER TO MANUFACTURER'S DRAWING, THIS SHEET.
 - THE CONTRACTOR SHALL SUBMIT ALL REQUIRED SHOP DRAWINGS TO THE LOCAL HEALTH DEPARTMENT FOR APPROVAL PRIOR TO FABRICATION AND INSTALLATION.
 - HOOD SHALL BE FURNISHED WITH COMPLETE UL LISTED FIRE SUPPRESSION SYSTEM. REFER TO MANUFACTURER'S DRAWINGS, THIS SHEET.
 - ANY GREASE DUCT NOT INSTALLED WITH THE MINIMUM CLEARANCES REQUIRED BY CODE SHALL BE WRAPPED WITH UL LISTED 3M FIREMASTER DUCTWRAP, OR APPROVED EQUAL.
 - GREASE DUCT SHALL BE INSTALLED SO THAT GREASE CANNOT COLLECT IN ANY PORTION THEREOF. ALL ELBOWS AND OFFSETS SHALL BE SMOOTH RADIUS TYPE; MITERED OR SQUARE THROAT ELBOWS ARE NOT PERMITTED. DUCT SHALL SLOPE TOWARD HOOD NOT LESS THAN 2%.
 - PROVIDE CLEAN-OUT OPENINGS AT ALL CHANGES IN DIRECTION OR AT ANY PORTION OF THE SYSTEM NOT ACCESSIBLE FROM THE HOOD OR EXHAUST FAN.
 - STAINLESS STEEL CEILING CLOSURE SHALL BE FURNISHED WITH HOOD AND INSTALLED BY MECHANICAL CONTRACTOR (FIELD-VERIFY CLOSURE HEIGHT).
 - CERAMIC TILE SHALL BE FURNISHED AND INSTALLED BY GENERAL CONTRACTOR ON WALL IN CONTACT WITH HOOD. REFER TO ARCHITECTURAL PLANS.
 - HOOD MOUNTING HEIGHT WITH OWNER AND COORDINATE WITH COOKING APPLIANCES.
 - CONTRACTOR SHALL CONDUCT ALL REQUIRED SMOKE TESTING AS MAY BE DIRECTED TO DEMONSTRATE PROPER PERFORMANCE OF THE HOOD EXHAUST SYSTEMS.
 - ALL EXHAUST DUCT WORK MUST BE INSULATED IN ACCORDANCE WITH NFPA CODES AND LOCAL ORDINANCES. REFER TO HVAC SPECIFICATIONS.
 - ALL EXPOSED EXHAUST DUCTWORK INSULATION SHALL BE INCLUDED WITH 18 GA. STAINLESS STEEL JACKET.



PIZZA HOOD INSTALLATION DETAIL
SCALE: NOT TO SCALE

HOOD INFORMATION

HOOD NO.	MODEL	LENGTH	MAX. COOKING TEMP.	EXHAUST FAN(S)					EXHAUST SYSTEM					HOOD CONSTRUCTION		FIRE PROTECTION	
				EXH. CFM	WIDTH	LENGTH	HP	S.P.	TOTAL EXH. CFM	WIDTH	LENGTH	HP	S.P.	400 SS	END TO END	HOW	
3	ST24	5'-0"	450-500	1200	18"	18"	1/2	1200	23.00"	0					400 SS	ALONE	ALONE

HOOD INFORMATION

HOOD NO.	TYPE	QTY	HEIGHT	LENGTH	QTY	TYPE	WIRE GUARD	LOCATION	FIRE SYSTEM		MODEL #	QUANTITY	LOCATION	FIRE PROTECT	HOOD
									TYPE	SIZE					
3	Alert Surface w/ Handles	3	18"	23"	3	Fluorescent Light Fix	NO							YES	400 SS

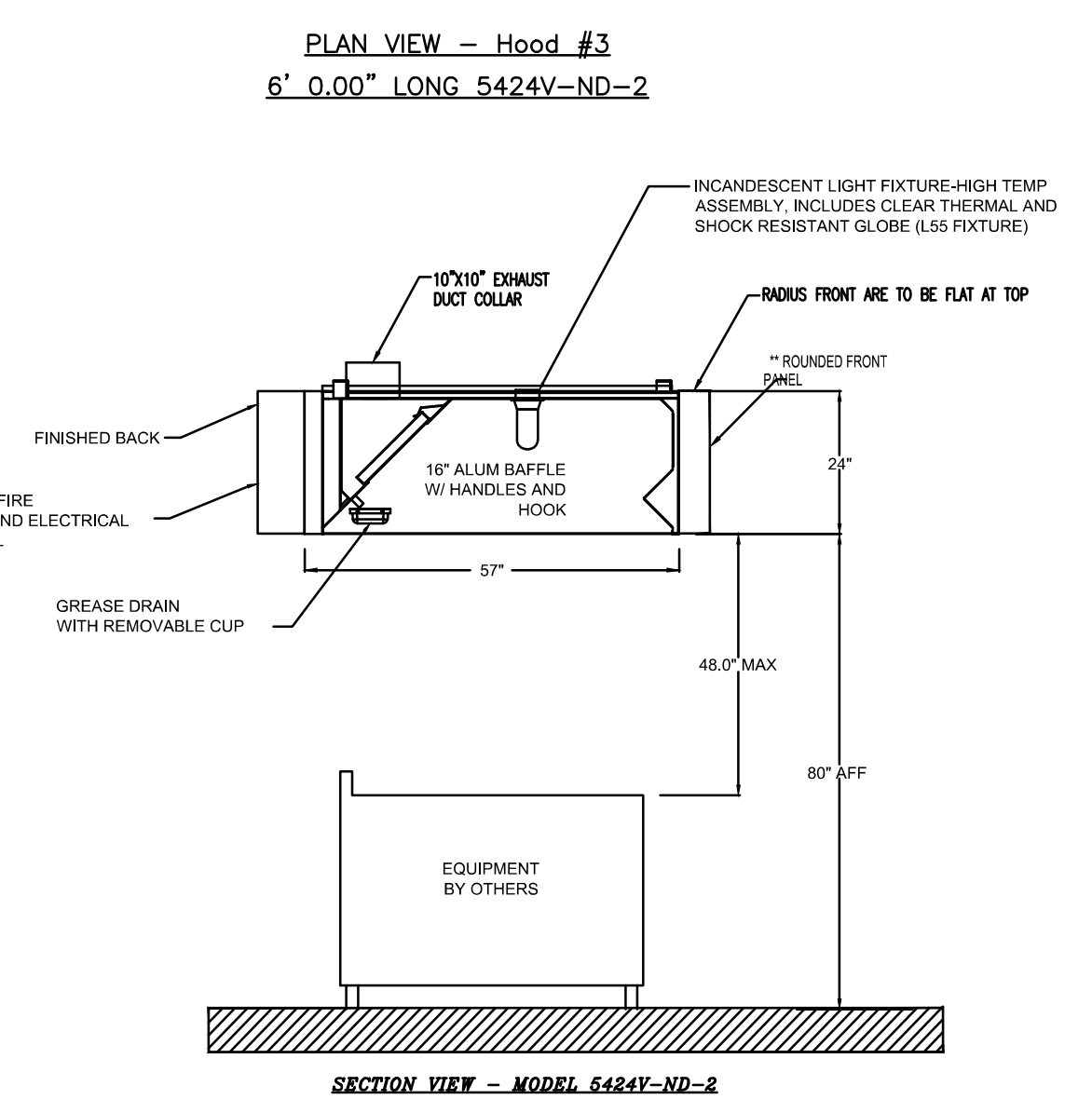
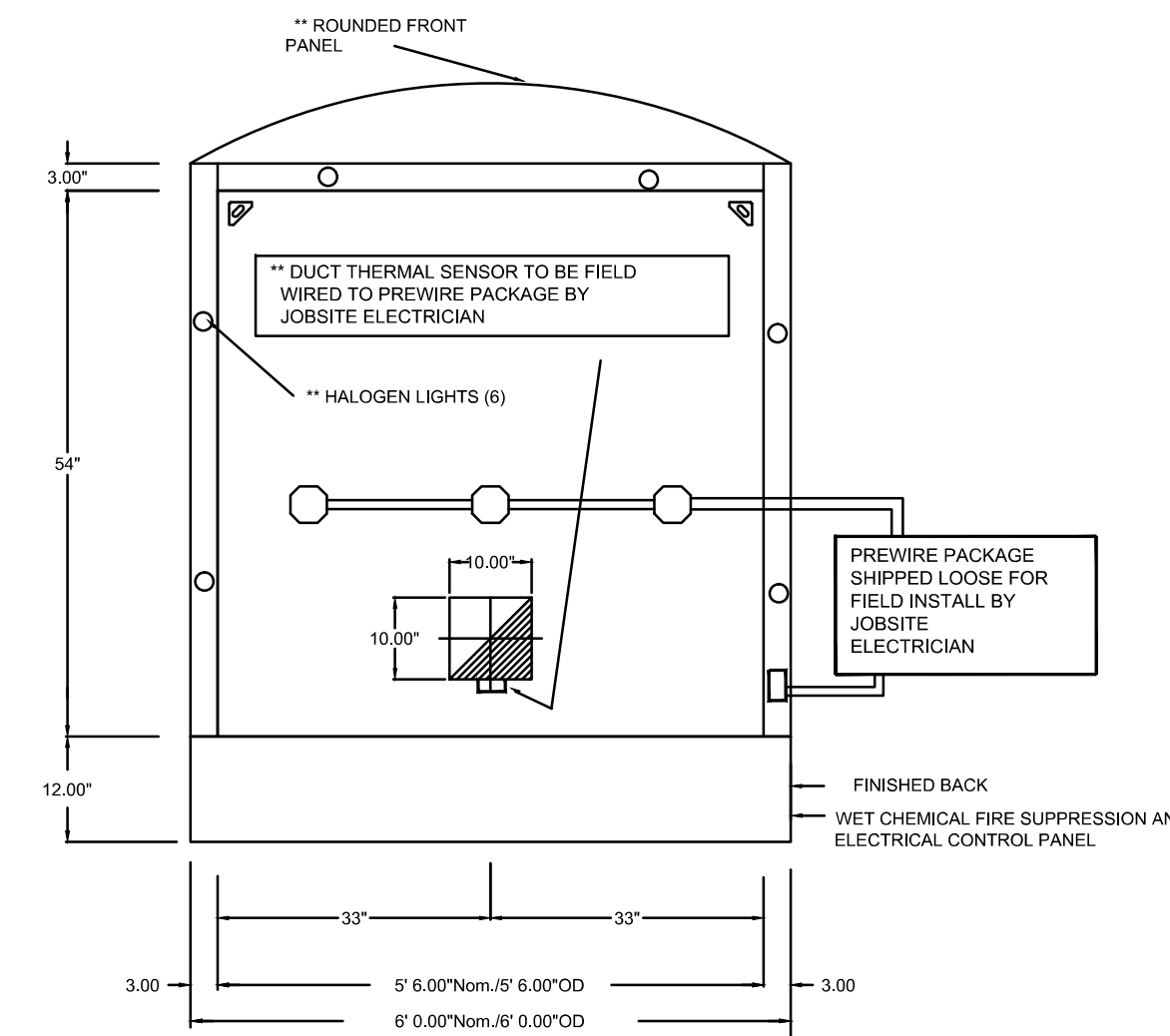
HOOD OPTIONS

HOOD NO.	OPTION
3	WRAPPER CHANNEL - Front, Left, Right, Back
	LEFT END STANDOFF (FINISHED) 3" W/SS
	RIGHT END STANDOFF (FINISHED) 3" W/SS
	BACK STANDOFF (FLAT) 3" W/SS
	FIELD WRAPPER - SEE DETAIL FOR HEIGHT - Front, Left, Right, Back
	FINISHED BACK - GROUND/FLOOR - 72.00" W/SS

CAPTIVE-AIRE HOODS ARE BUILT IN COMPLIANCE WITH

NFPA #96
NSF
UL 710 & ULCT710 STANDARDS
E.T.L. LISTED 3054804-001

FOR QUESTIONS, CALL THE
PIEDMONT NORTH CAROLINA OFFICE
LORNE GRANT (REGIONAL MANAGER)
PHONE: 336-995-8484, FAX: 336-996-0418
EMAIL: lgrants@captivair.com



FOR QUESTIONS, CALL
McNAMARA & COMPANY
-- RICK THOMAS
@ (704) 243-3811

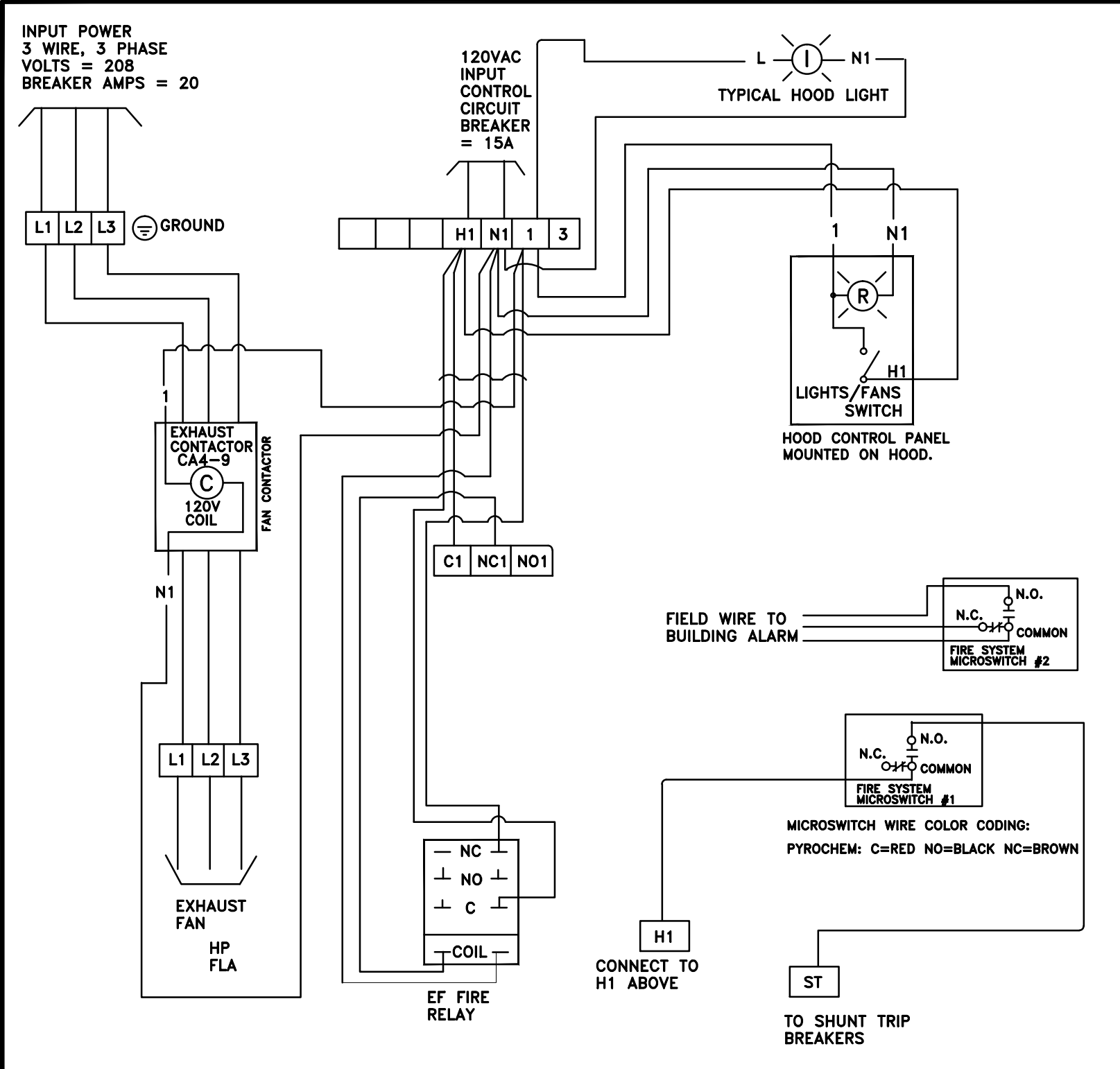
REVISIONS

NO.	DESCRIPTION

CAPTIVE-AIRE
PIEDMONT AREA OFFICE
WWW.CAPTIVAIR.COM

HARRIS TEETER
DATE: 2/8/2010
DWG. #:
SCALE: Not To Scale
HOOD

SHEET NO. 1



RELAY CONTROL CENTER
208/3 PHASE PRIMARY POWER

NOTES:
1. IN FIRE MODE, EXHAUST FAN WILL CONTINUE TO OPERATE; SUPPLY FAN WILL BE SHUT DOWN. IF FIRE SYSTEM ACTIVATES WHEN HOOD FANS ARE NOT OPERATING, EXHAUST FAN WILL BE OPERATED ON BY THE FIRE SYSTEM RELAY.
2. FIRE SYSTEM MICROSWITCHES ARE LOCATED AT FIRE SYSTEM CONTROL HEAD (AT CHEMICAL TANKS).
3. MOTOR CONTROL CENTER LOCATED ON TOP OF HOOD.

--- DENOTES FIELD WIRING

PROJECT NAME: HW01P-07-01-2009 07-11-09
LOCATION:
DATE: PROJECT #
SUBMITTAL APPROVAL-DATE:
 APPROVED REVISE & RESUBMIT