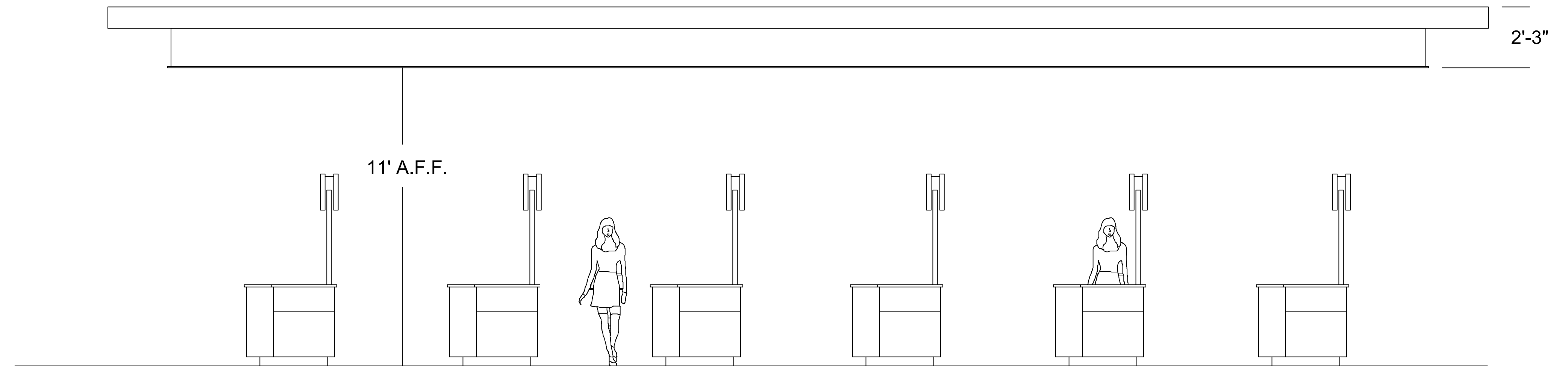
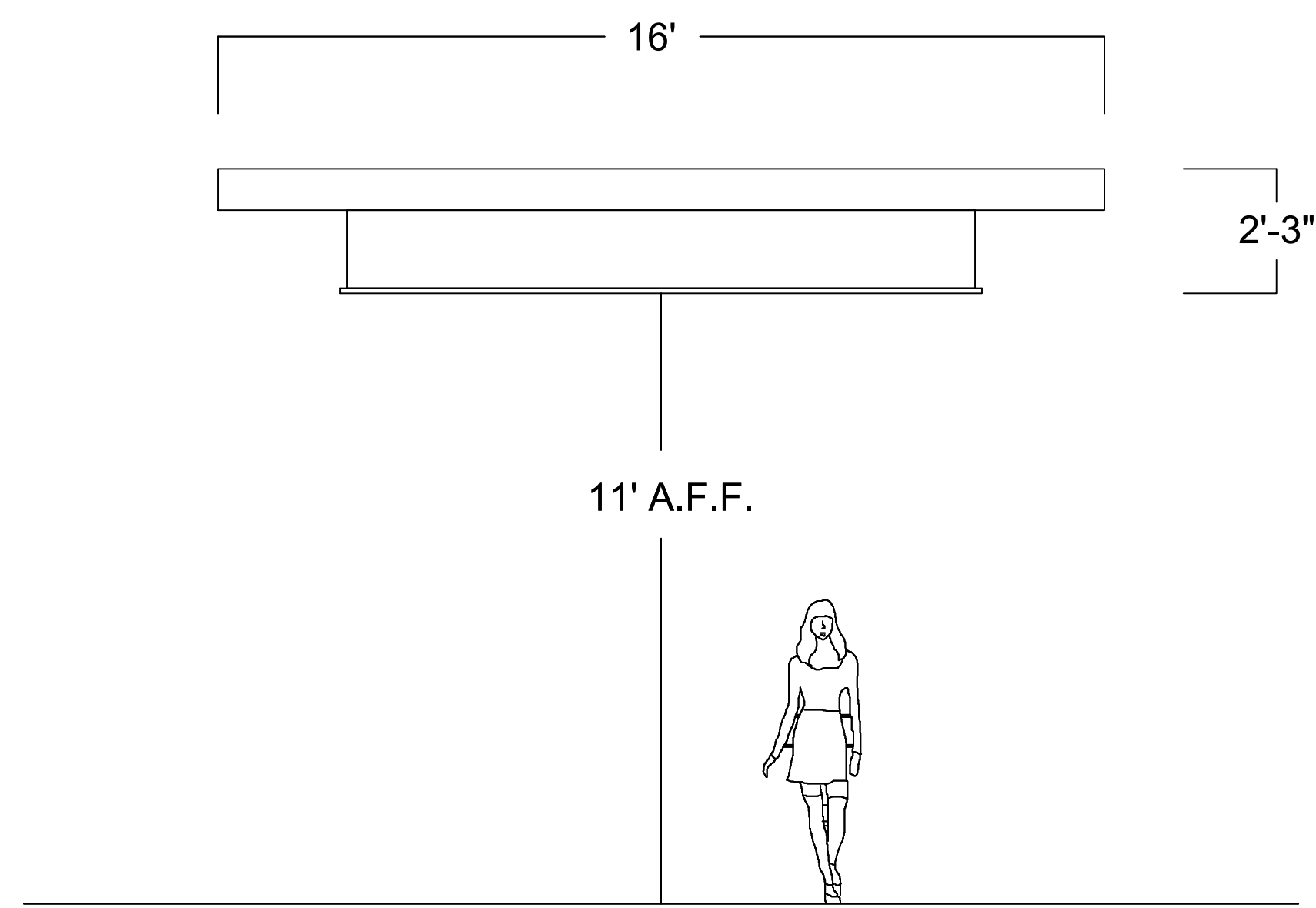


1 Checkout Canopy Grid Section
Not to scale



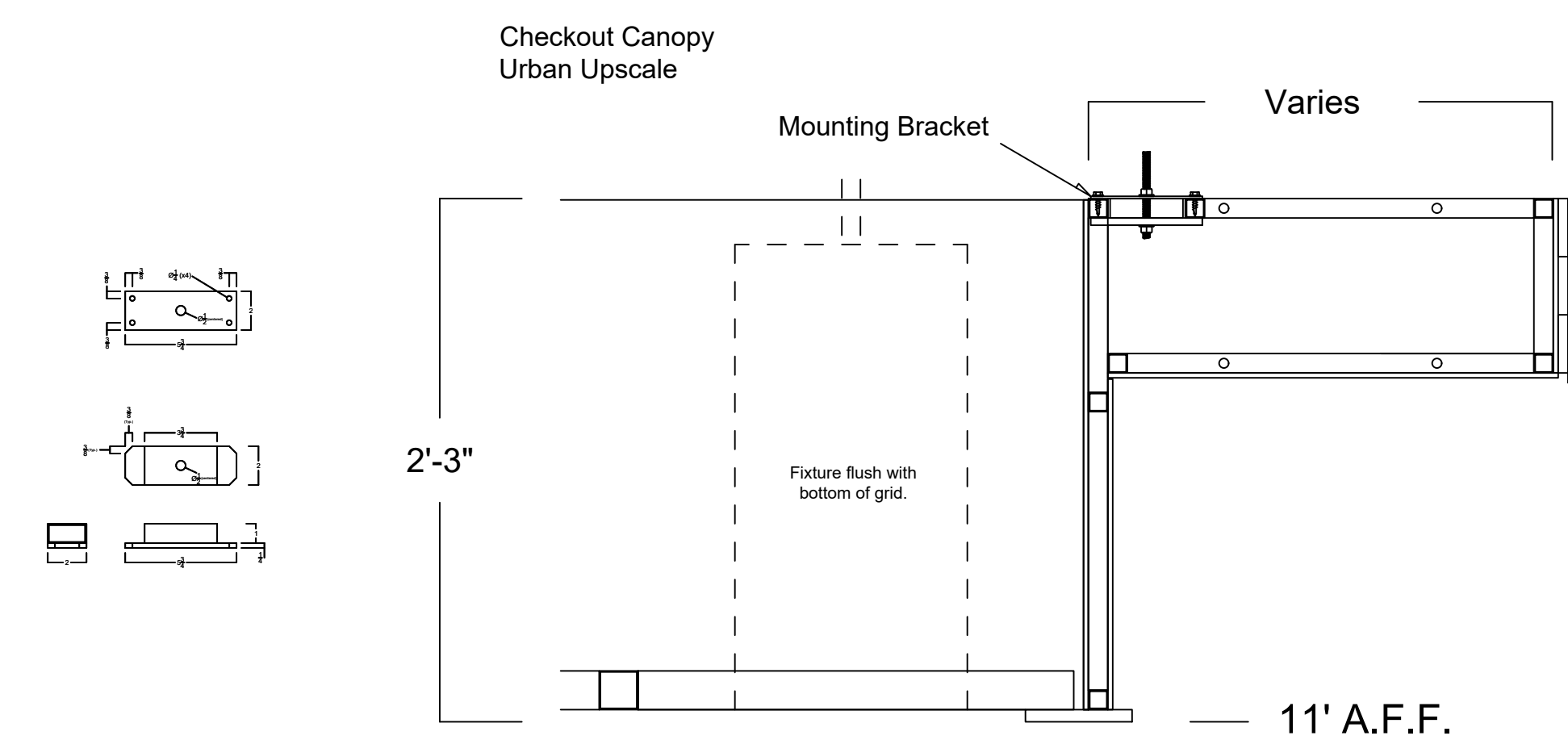
4 Checkout Canopy - Front / Rear Elevation
Scale: $\frac{3}{8}$ " = 1'-0"



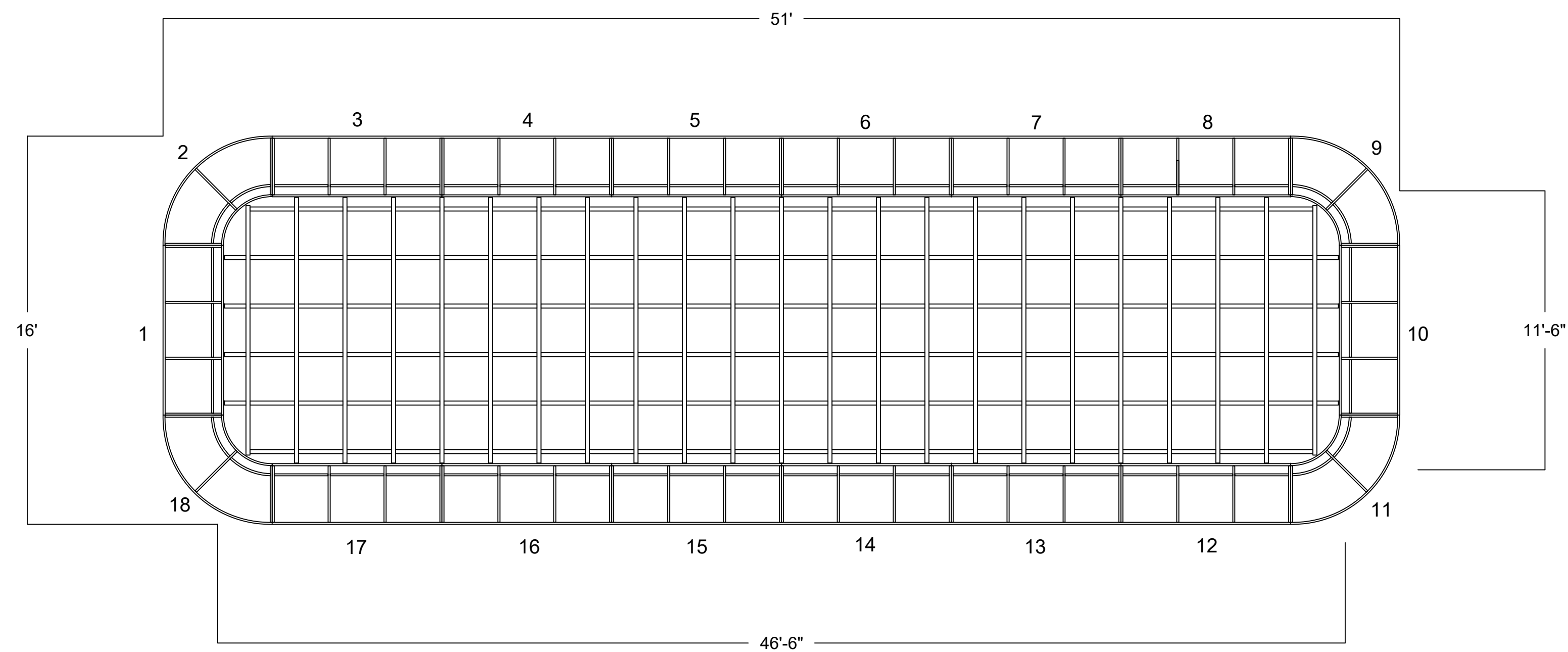
2 Checkout Canopy - End Elevation
Scale: $\frac{3}{8}$ " = 1'-0"

Estimated Total weight: 1,993.5 lbs

Estimated Brackets: 32



3 Checkout Canopy - Section
Scale: 1-1/2" = 1'-0"



5 Checkout Canopy - Plan
Scale: 1/4" = 1'-0"

HT 495