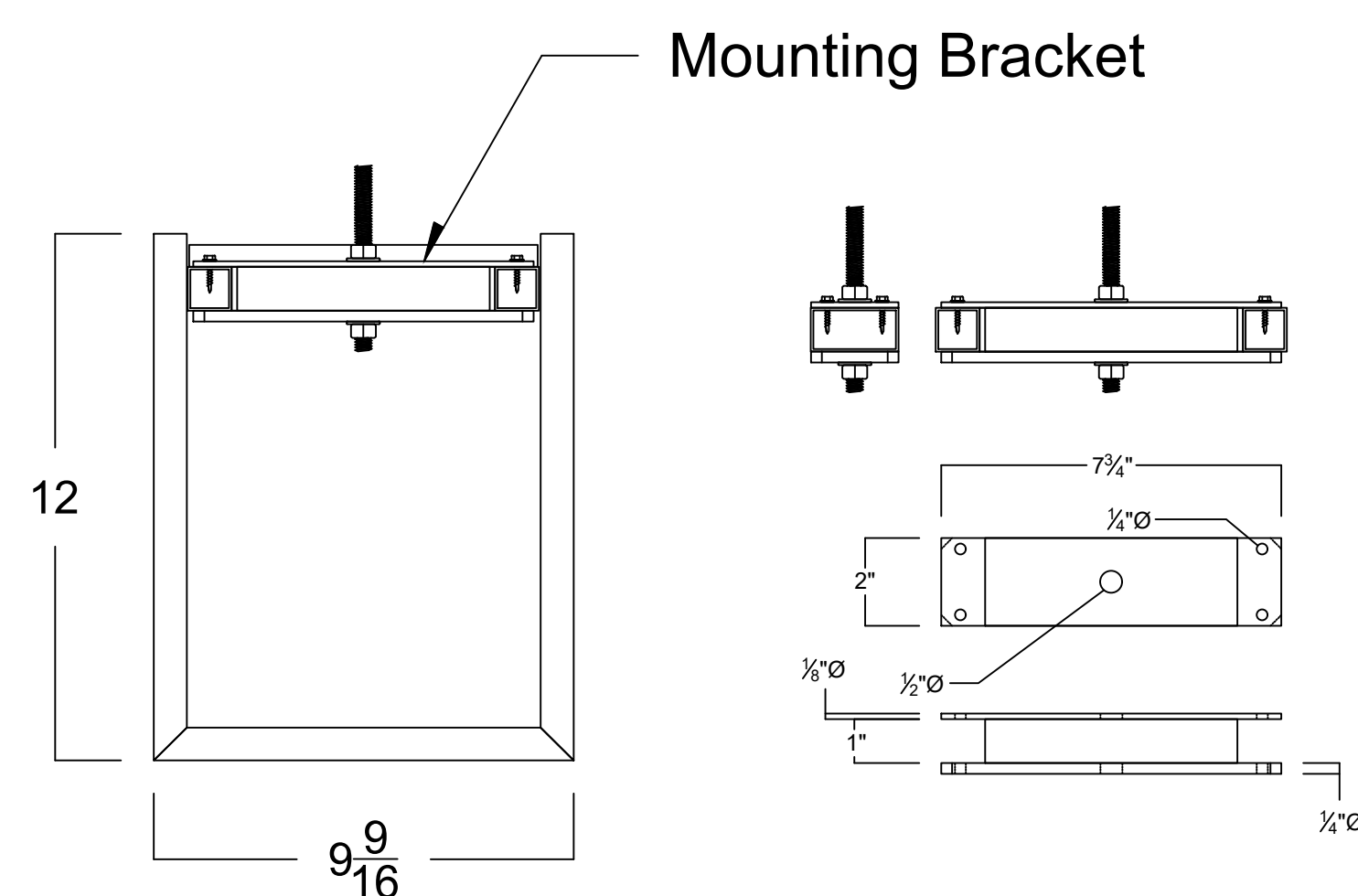
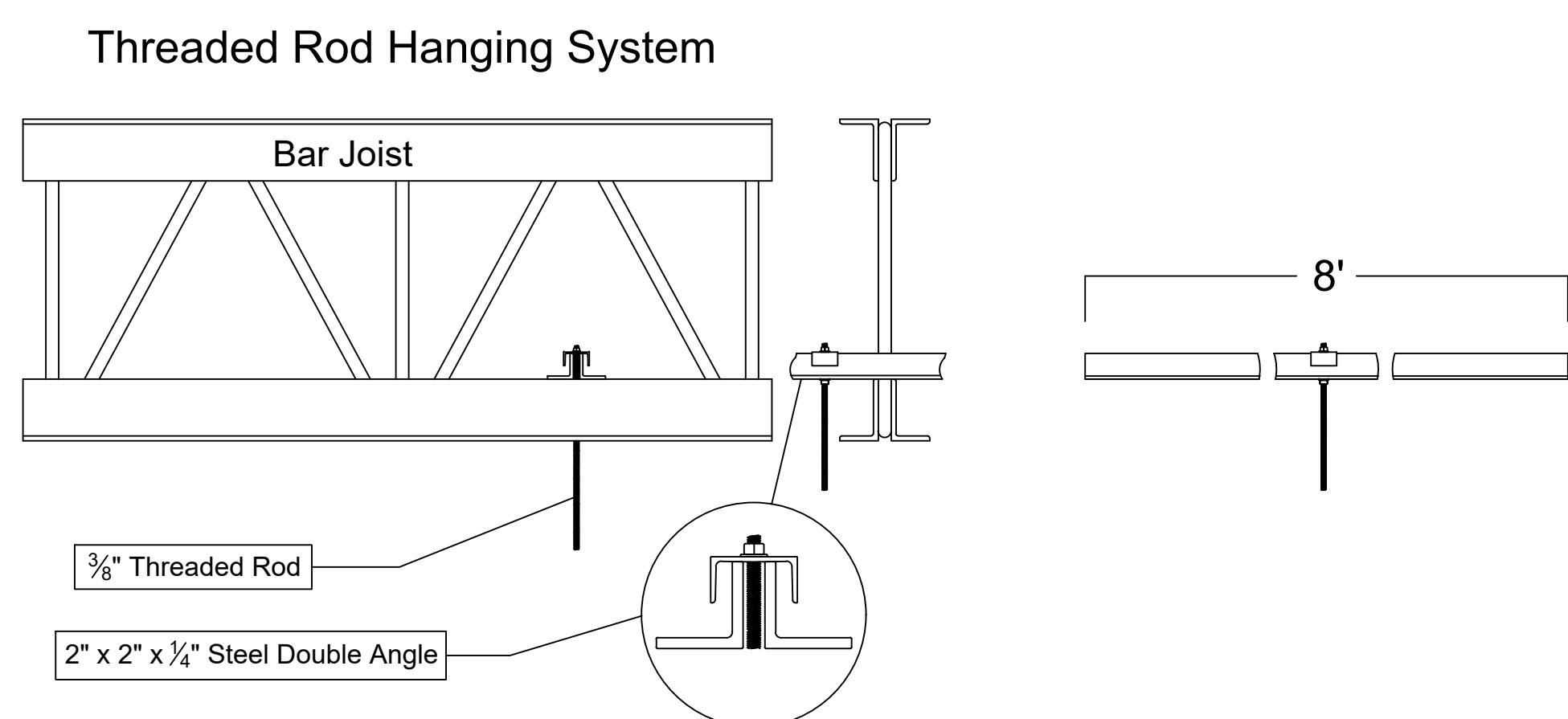


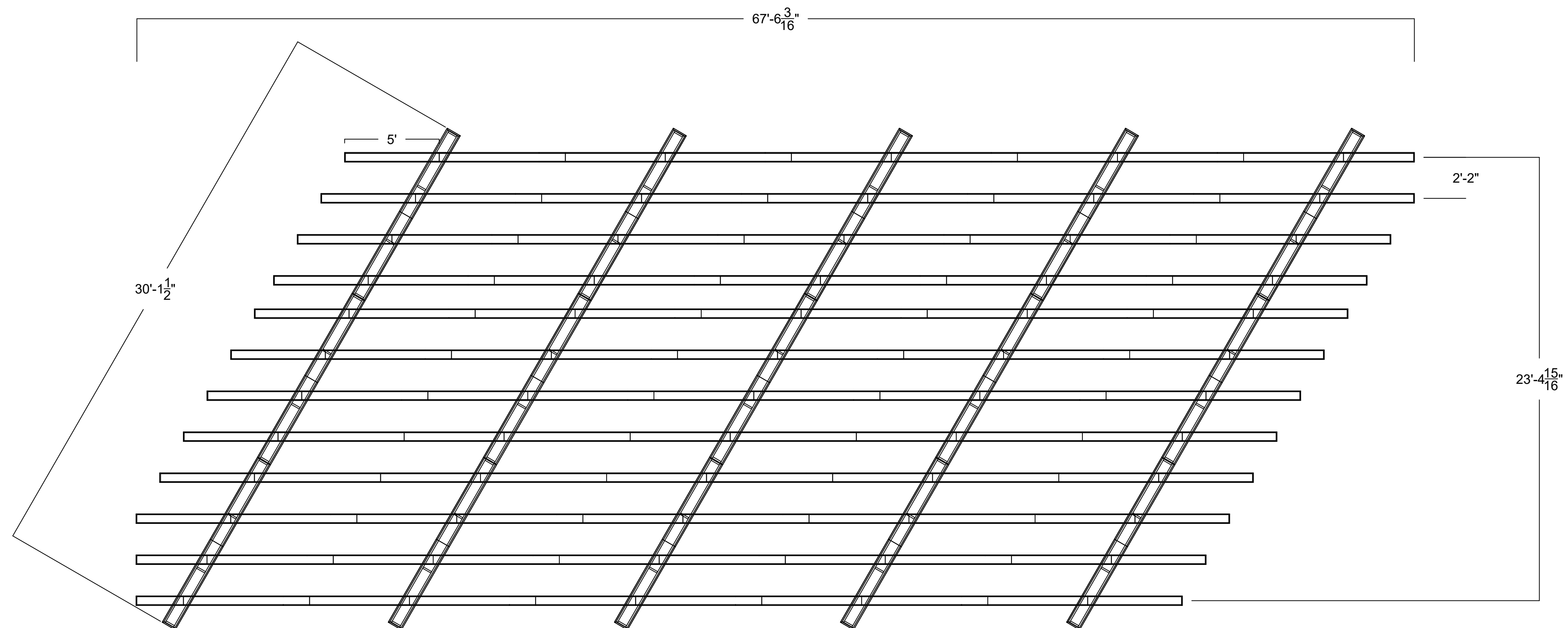
1 Wine Canopy - End View
Scale: 3/8" = 1'-0"



2 Wine Beam Mounting Bracket
Scale: 3" = 1'-0" Estimated Brackets: 30

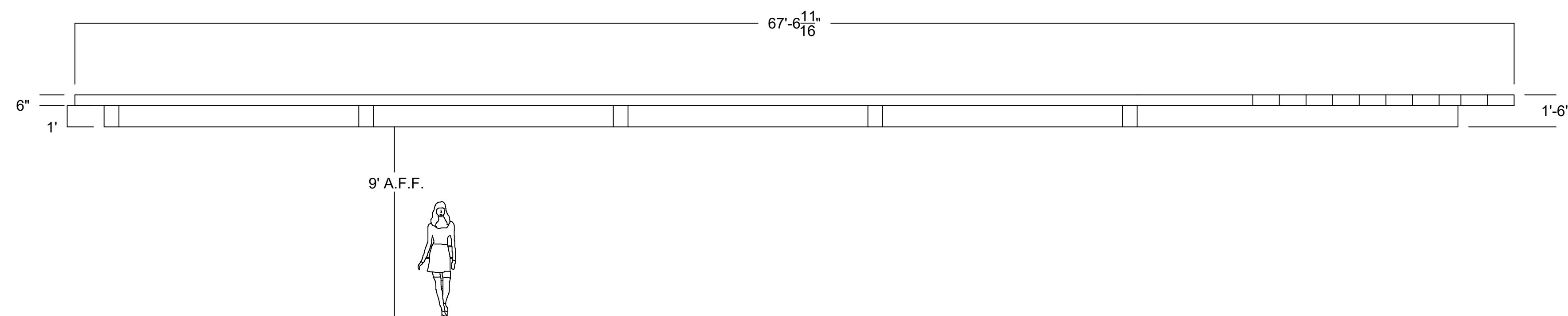


3 Bar Joist Attachment System
System used on Wine Canopy



4 Wine Canopy - Plan View
Scale: 1/4" = 1'-0"

Estimated Total weight: 2,921.38 lbs



5 Wine Canopy - Side View
Scale: 1/4" = 1'-0"

Drawn by: Plastex
Scale: Varies
Date: 09-26-18

FOR CONSTRUCTION

Job Description

Harris Teeter 495
Creedmoor Road
Raleigh
NC

Sheet Description
Wine Canopy
Construction
Plan

Sheet Number

D-7.1