

PROJECT MANAGER:	KENDY STACY
JOB NO.:	18-HV-02
DR. BY:	KEM
REVISIONS:	
No.	Date
No.	Date
No.	Date
No.	Date
No.	Date
No.	Date
No.	Date
No.	Date
No.	Date
No.	Date
No.	Date

SHEET NAME:
HVAC DETAILS

SHEET NO.
H2.1
 ISSUE DATE: 10/22/18

HOOD FIRE SUPPRESSION SYSTEMS

A. PROVIDE A UL LISTED, PRE-ENGINEERED FIRE SUPPRESSION SYSTEM FOR PROTECTION OF THE DUCT, PLENUM, FILTERS AND APPLIANCES FOR ALL GREASE-LADEN EXHAUST SYSTEMS (VERIFY COOKING EQUIPMENT LINE-UP WITH OWNER).

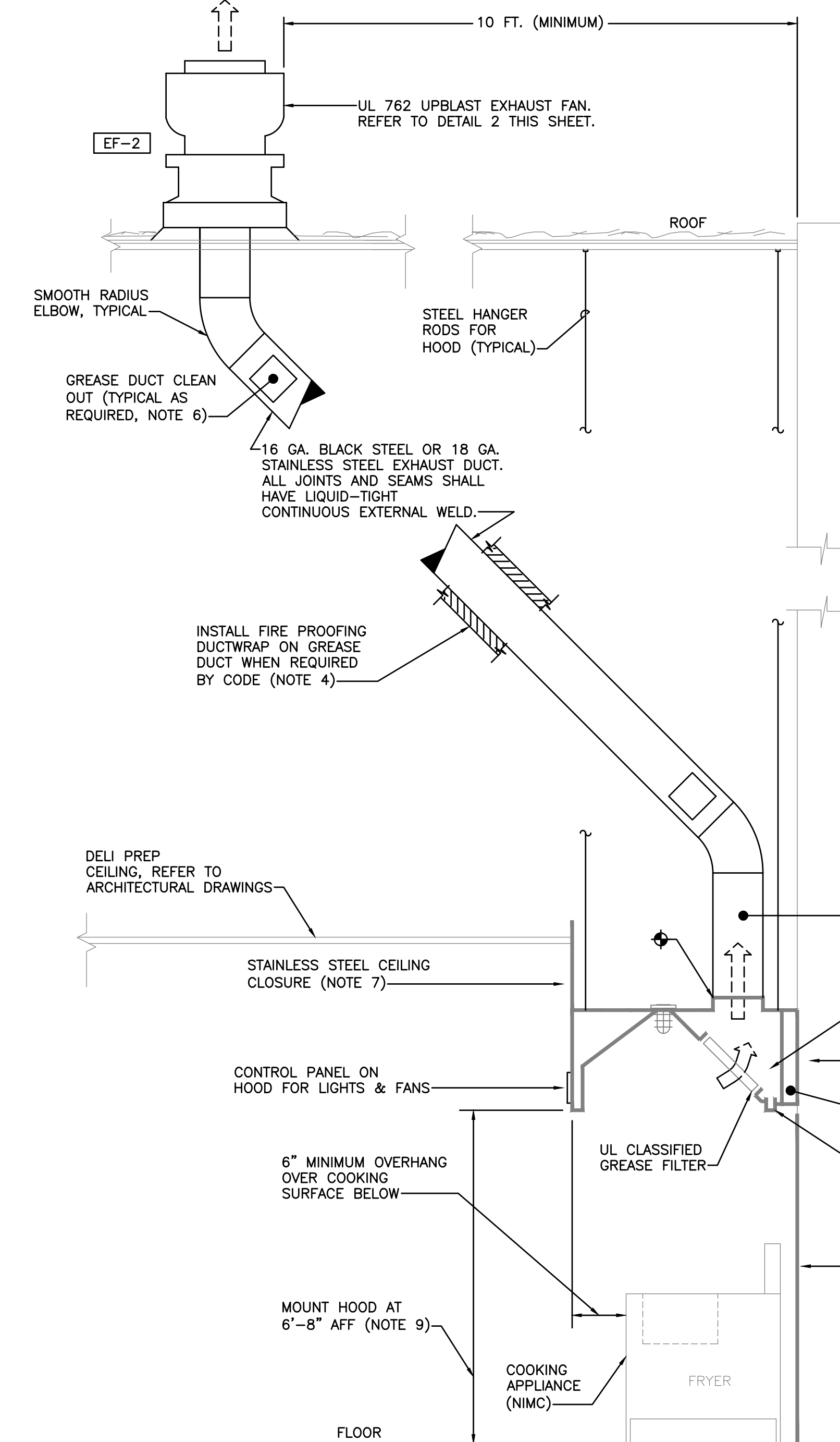
B. HOOD FIRE SUPPRESSION SYSTEMS SHALL BE INSTALLED IN ACCORDANCE WITH THE REQUIREMENTS OF THE LOCAL JURISDICTION AND ALL APPLICABLE CODES AND REGULATORY AGENCIES. INSTALLATION OF THE SYSTEM SHALL BE PERFORMED ONLY BY A FIRE SYSTEM DISTRIBUTOR TRAINED AND QUALIFIED TO INSTALL THE SPECIFIC SYSTEM BEING PROVIDED. THE FIRE SYSTEM DISTRIBUTOR SHALL SUBMIT PLANS AND ACQUIRE ALL PERMITS AND APPROVALS NECESSARY FOR PROPER INSTALLATION AND FINAL ACCEPTANCE.

C. SYSTEM SHALL OPERATE AUTOMATICALLY AND BY A MANUAL PULL STATION. MANUAL PULL STATION LOCATIONS SHALL BE APPROVED BY THE LOCAL FIRE MARSHAL OR BUILDING INSPECTOR AND SHALL BE LABEL/IDENTIFIED IN AN APPROVED MANNER.

D. ACTIVATION OF THE HOOD FIRE SUPPRESSION SYSTEM SHALL AUTOMATICALLY SHUT-OFF ALL POWER TO THE COOKING EQUIPMENT. AUTOMATIC GAS SHUT-OFF VALVES SHALL BE MECHANICALLY OPERATED AND FURNISHED AS PART OF THE HOOD FIRE SUPPRESSION SYSTEM FOR INSTALLATION BY THE PLUMBING CONTRACTOR. ELECTRIC APPLIANCES SHALL AUTOMATICALLY SHUT DOWN BY A MICRO SWITCH WIRED THROUGH A SHUNT TRIP BREAKER. SHUNT TRIP BREAKERS, WHEN REQUIRED, SHALL BE FURNISHED AND INSTALLED BY THE ELECTRICAL CONTRACTOR.

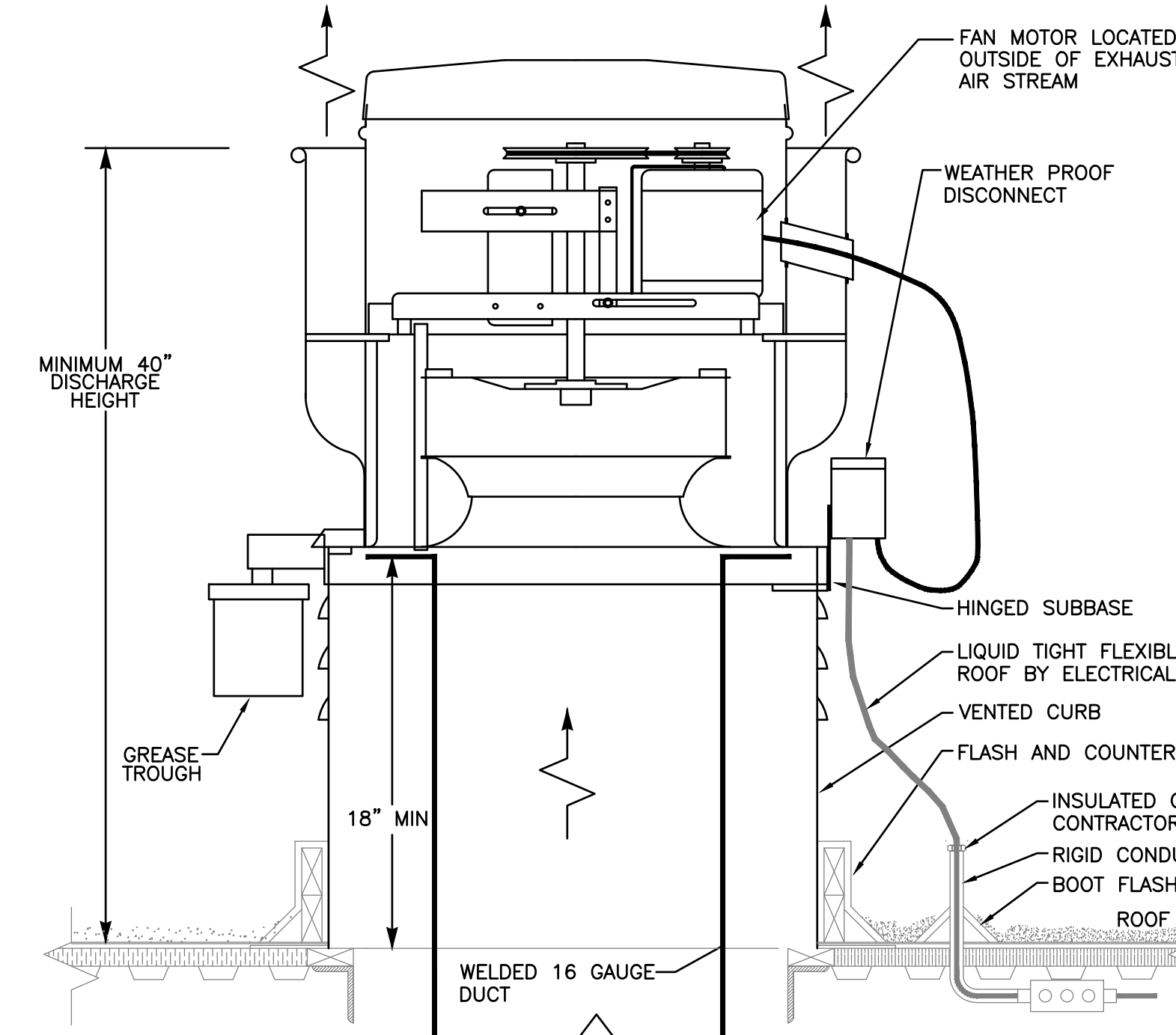
E. HOOD FIRE SUPPRESSION SYSTEMS SHALL BE CONNECTED TO THE STORE'S FIRE ALARM SYSTEM.

F. AFTER INSTALLATION, THE FIRE SYSTEM DISTRIBUTOR SHALL CONDUCT ANY AND ALL TESTS REQUIRED TO DEMONSTRATE PROPER OPERATION OF THE SYSTEM. ALL HOOD FIRE SUPPRESSION SYSTEMS SHALL BE TURNED OVER TO THE OWNER WITH FULLY CHARGED CYLINDERS.



- NOTES:**
1. DETAIL SHOWN FOR GENERAL ARRANGEMENT ONLY. HOOD EXHAUST SYSTEM SHALL BE INSTALLED IN ACCORDANCE WITH NFPA 96, AND ALL STATE AND LOCAL CODES. REFER TO MANUFACTURER'S DRAWING, THIS SHEET.
 2. THE CONTRACTOR SHALL SUBMIT ALL REQUIRED SHOP DRAWINGS TO THE LOCAL HEALTH DEPARTMENT FOR APPROVAL PRIOR TO FABRICATION AND INSTALLATION.
 3. HOOD SHALL BE FURNISHED WITH COMPLETE UL LISTED FIRE SUPPRESSION SYSTEM. REFER TO MANUFACTURER'S DRAWINGS, THIS SHEET.
 4. ANY GREASE DUCT NOT INSTALLED WITH THE MINIMUM CLEARANCES REQUIRED BY CODE SHALL BE WRAPPED WITH UL LISTED 3M FIREMASTER DUCTWRAP, OR APPROVED EQUAL.
 5. GREASE DUCT SHALL BE INSTALLED SO THAT GREASE CANNOT COLLECT IN ANY PORTION THEREOF. ALL ELBOWS AND OFFSETS SHALL BE SMOOTH RADIUS TYPE; MITERED OR SQUARE THROAT ELBOWS ARE NOT PERMITTED. DUCT SHALL SLOPE TOWARD HOOD NOT LESS THAN 2%.
 6. PROVIDE CLEAN-OUT OPENINGS AT ALL CHANGES IN DIRECTION OR AT ANY PORTION OF THE SYSTEM NOT ACCESSIBLE FROM THE HOOD OR EXHAUST FAN.
 7. STAINLESS STEEL CEILING CLOSURE SHALL BE FURNISHED WITH HOOD AND INSTALLED BY MECHANICAL CONTRACTOR (FIELD-VERIFY CLOSURE HEIGHT).
 8. CERAMIC TILE SHALL BE FURNISHED AND INSTALLED BY GENERAL CONTRACTOR ON WALL IN CONTACT WITH HOOD. REFER TO ARCHITECTURAL PLANS.
 9. VERIFY HOOD MOUNTING HEIGHT WITH OWNER AND COORDINATE WITH COOKING APPLIANCES.
 10. CONTRACTOR SHALL CONDUCT ALL REQUIRED SMOKE TESTING AS MAY BE DIRECTED TO DEMONSTRATE PROPER PERFORMANCE OF THE HOOD EXHAUST SYSTEMS.
 11. ALL EXHAUST DUCT WORK MUST BE INSULATED IN ACCORDANCE WITH NFPA CODES AND LOCAL ORDINANCES. REFER TO HVAC SPECIFICATIONS.
 12. ALL EXPOSED EXHAUST DUCTWORK INSULATION SHALL BE ENCLOSED WITH 18 GA. STAINLESS STEEL JACKET.

KITCHEN HOOD EXHAUST SYSTEM DETAIL 1
 SCALE: NOT TO SCALE



KITCHEN EXHAUST FAN DETAIL 2
 SCALE: NOT TO SCALE

NOTE: THIS DOCUMENT MAY HAVE BEEN ELECTRONICALLY TRANSMITTED. IF UNSIGNED, IT CANNOT BE FILED FOR PUBLIC RECORD. PUBLIC RECORD FILINGS REQUIRE SIGNED AND SEALED DOCUMENTS.