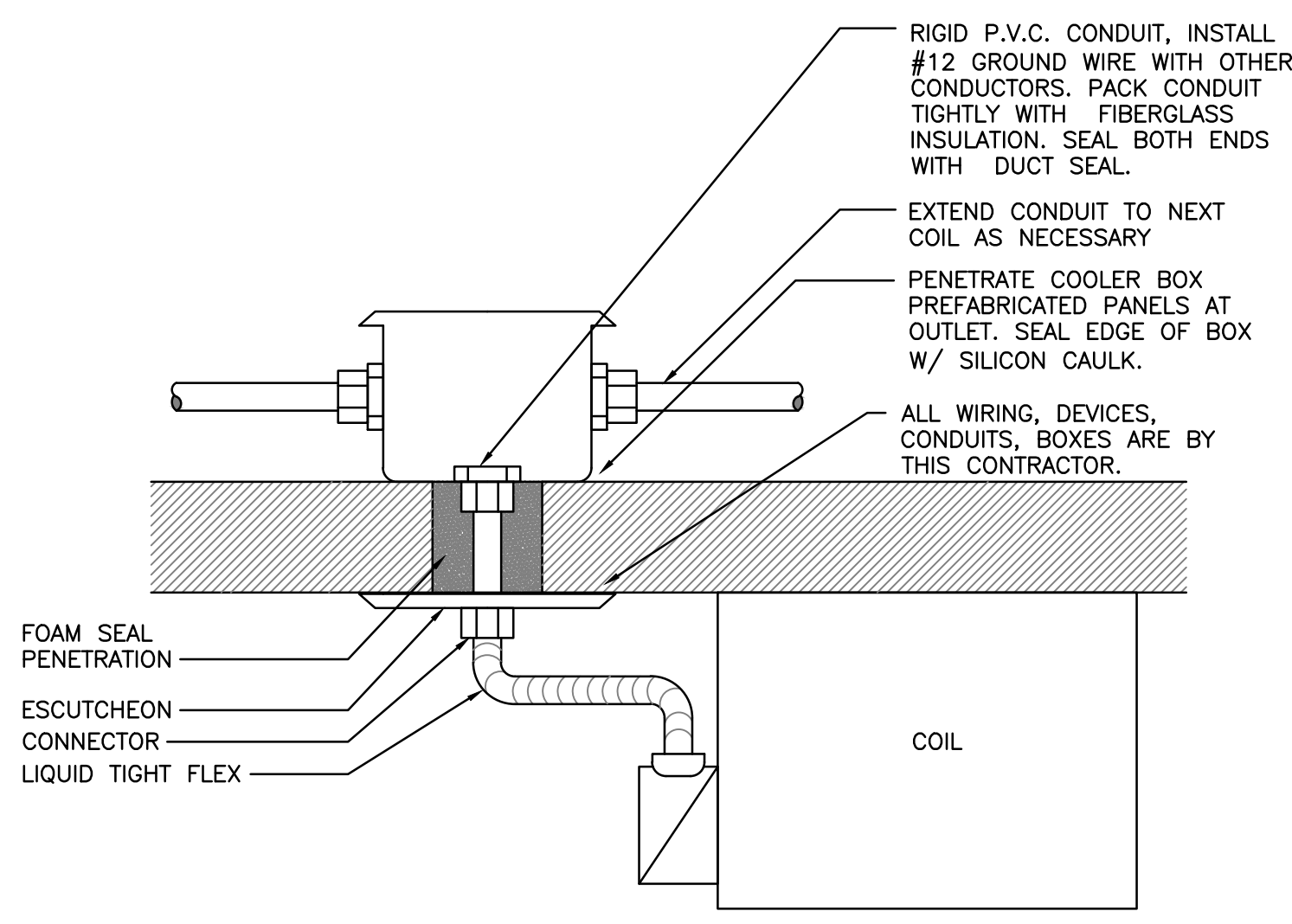
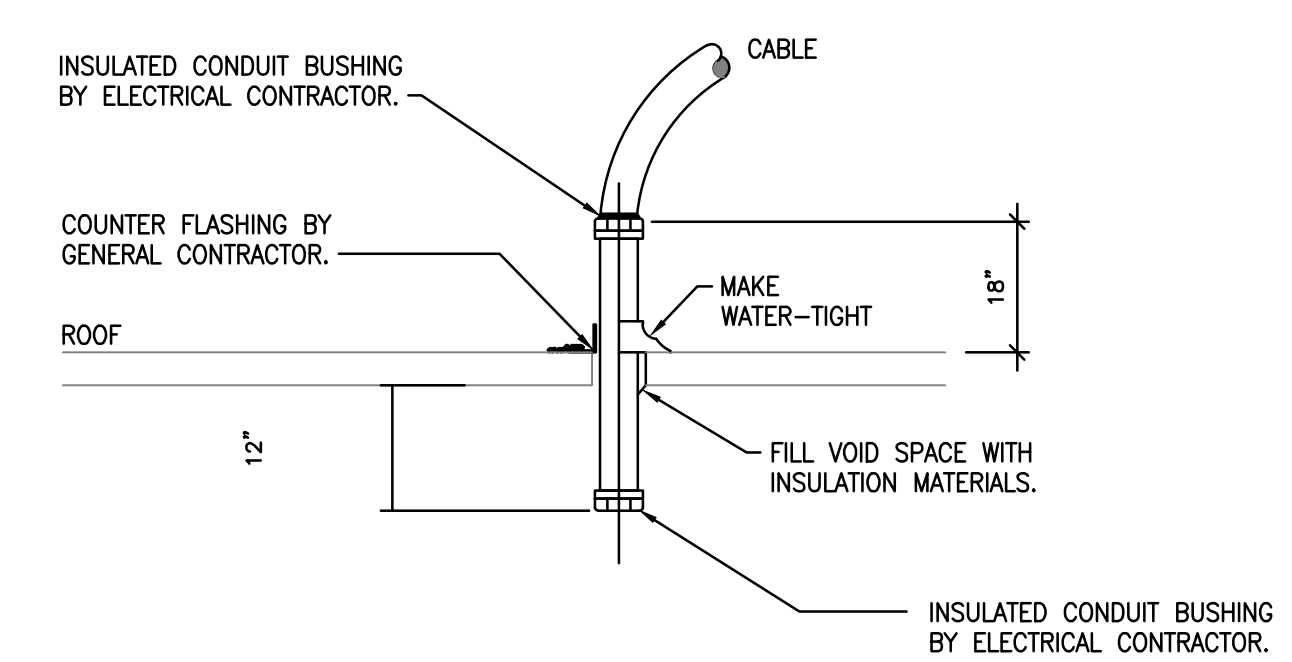


1. MOUNTING HEIGHTS OF ALL ELECTRICAL EQUIPMENT SHALL CONFORM TO ADA REQUIREMENTS.

STANDARD MOUNTING HEIGHTS
 NOT TO SCALE:

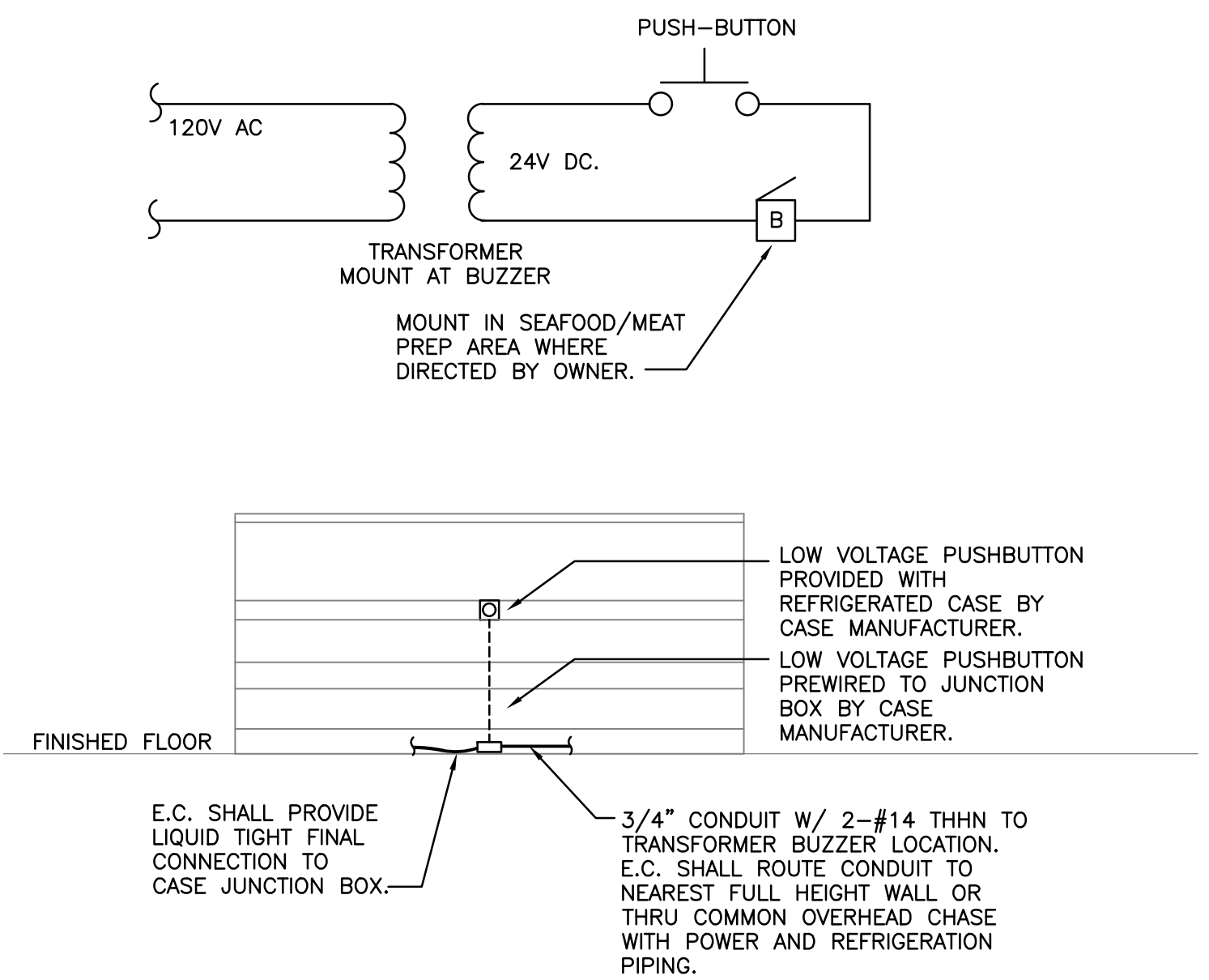


CONDUIT PENETRATION THROUGH COOLERS. / FREEZERS.
 NOT TO SCALE:

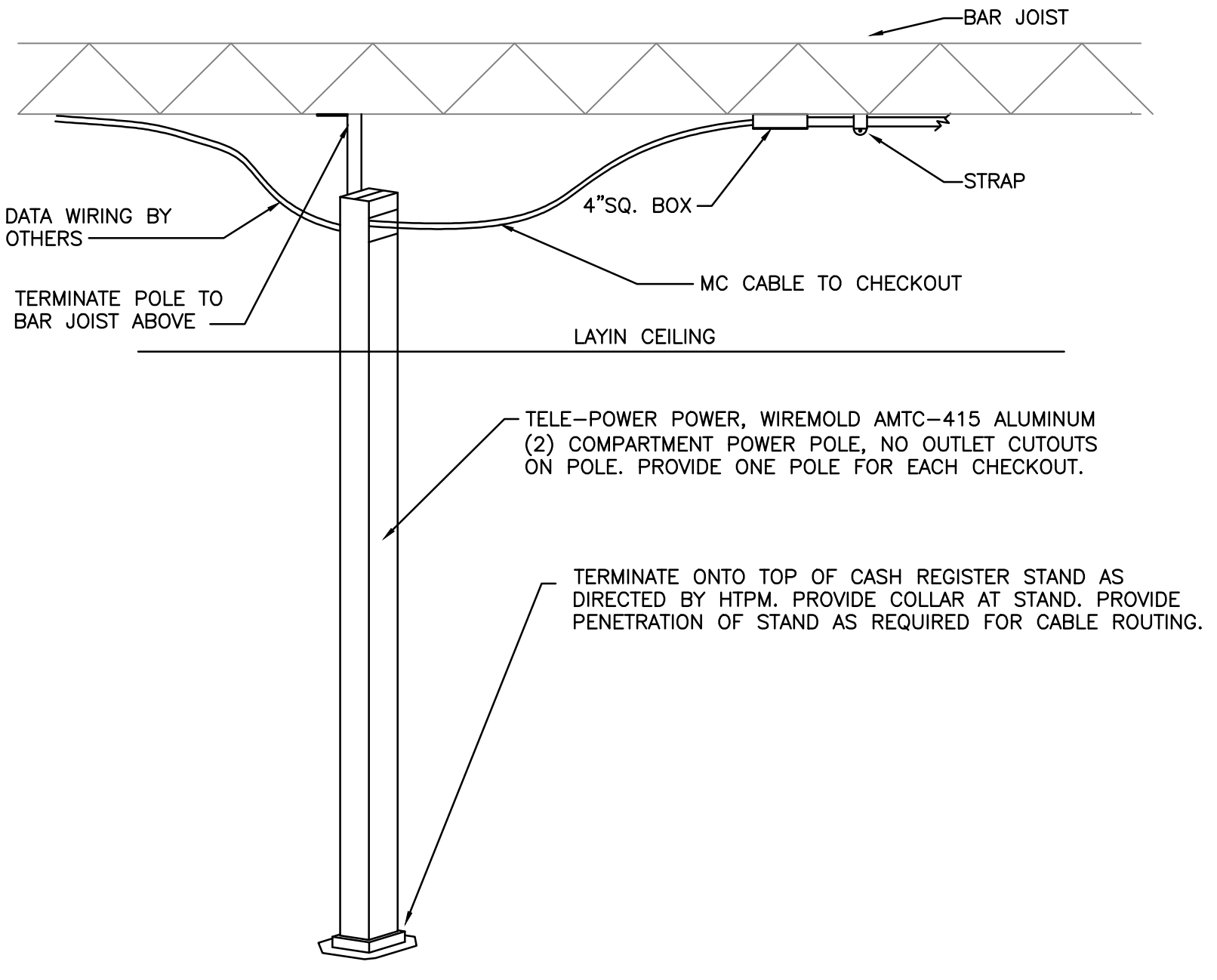


NOTES:
 1. SIZE OF CONDUIT EXTENSION THROUGH ROOF TO BE 3/4".
 2. ROOFING CONTRACTOR SHALL SUPPLY BOOT FLASHING FOR RUBBER ROOF SYSTEMS.

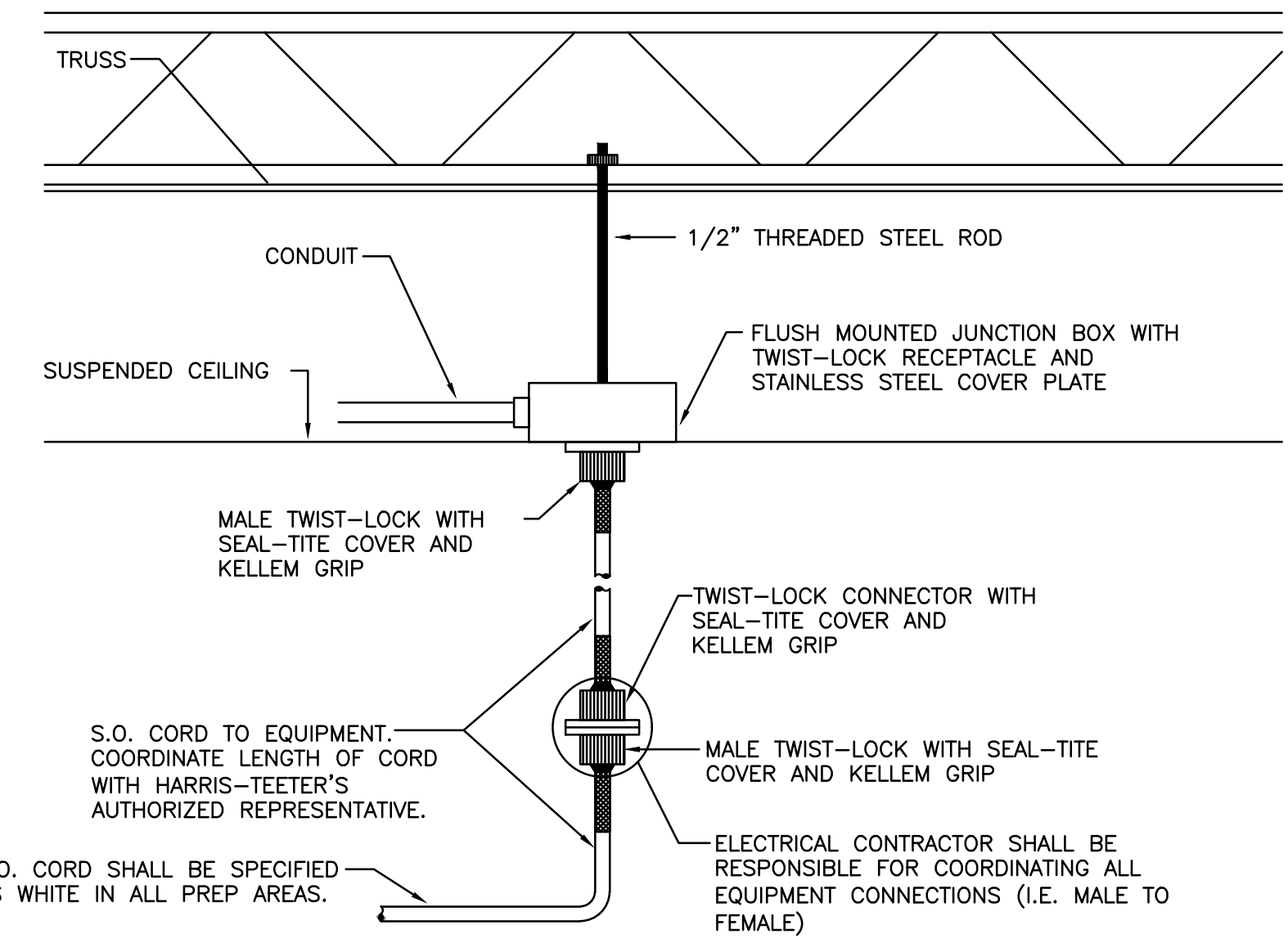
TYP. CONDUIT PENETRATION THROUGH ROOF
 NOT TO SCALE:



MEAT PREP BUZZER DETAIL
 NOT TO SCALE:

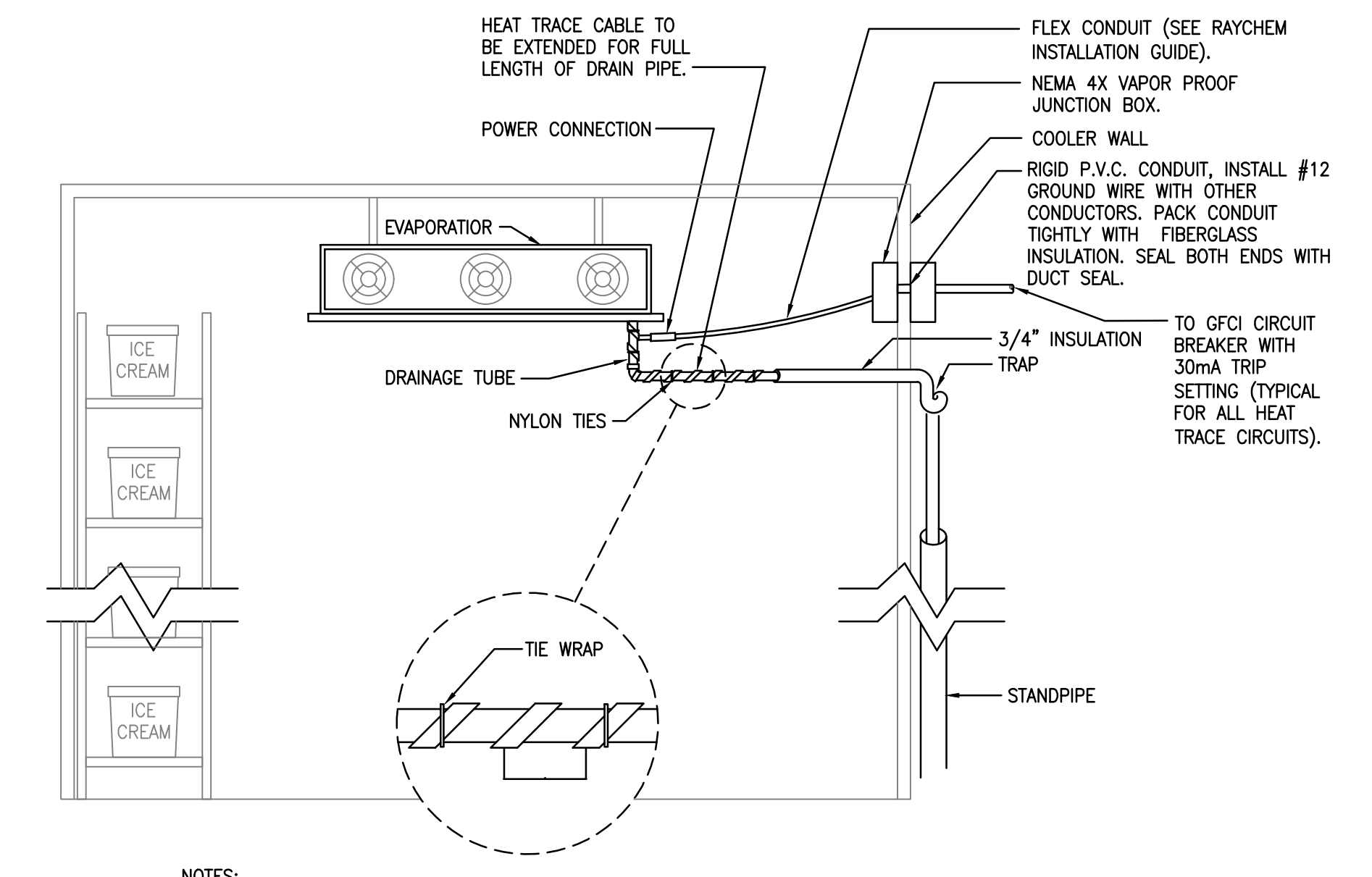


POWER POLE / CHECKOUT POWER INSTALLATION
 NOT TO SCALE:



* NOTE: ALL RECEPTACLES FOR DUPLEX TO BE NORMAL BLADE PLUG RECEPTACLE, NOT TWIST-LOCK.

CEILING PENETRATION FOR CORD DROP
 NOT TO SCALE:



NOTES:
 1. HEAT TRACE CABLE, SELF LIMITING TYPE FOR FREEZER PROTECTION, WITH PARALLEL CONNECTED HEATER ZONES, 5 WATT/FT., 120V, SIMILAR AND EQUAL TO RAYCHEM SXL-1.
 2. 7.9" PITCH WILL REQUIRE 1.2' CABLE/FT. PIPE.
 3. INSULATION TO BE INSTALLED BY REFRIGERATION CONTRACTOR.
 4. FOR USE IN ALL FREEZERS AND MEAT COOLERS.
 5. HEAT TRACE TAPE SUPPLIED AND INSTALLED BY REFRIGERATION CONTRACTOR.

HEAT TRACE DETAIL
 NOT TO SCALE:

PROJECT MANAGER:
 KNOX STACY

JOB NO:
 04-114-02

DR. BY:
 EH

REVISIONS:

No.	Date

NOTE: THIS DOCUMENT MAY HAVE BEEN ELECTRONICALLY TRANSMITTED. IF UNSIGNED, IT CANNOT BE FILED FOR PUBLIC RECORD. PUBLIC RECORD FILINGS REQUIRE SIGNED AND SEALED DOCUMENTS.