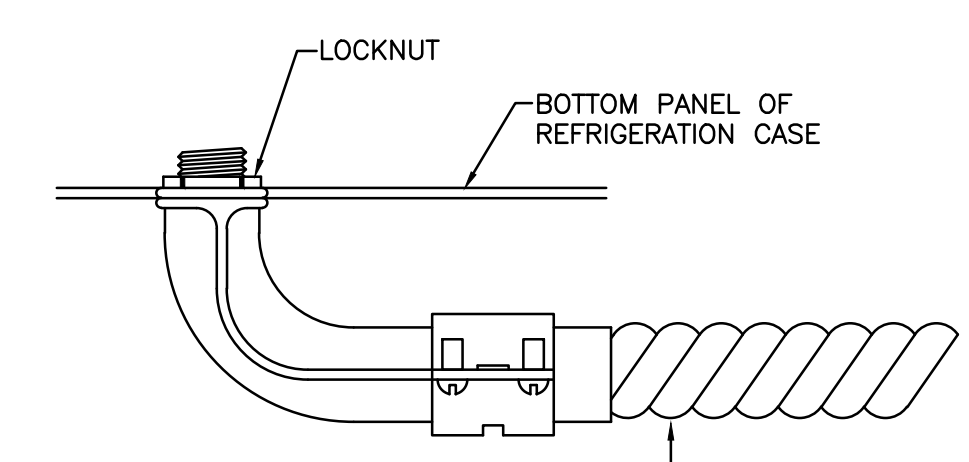


PROJECT MANAGER:	
KIM STACY	
JOB NO.:	18-114-02
DR. BY:	EH
REVISIONS:	
No. _____	Date _____
No. _____	Date _____
No. _____	Date _____
No. _____	Date _____
No. _____	Date _____
No. _____	Date _____
No. _____	Date _____
No. _____	Date _____
No. _____	Date _____
No. _____	Date _____

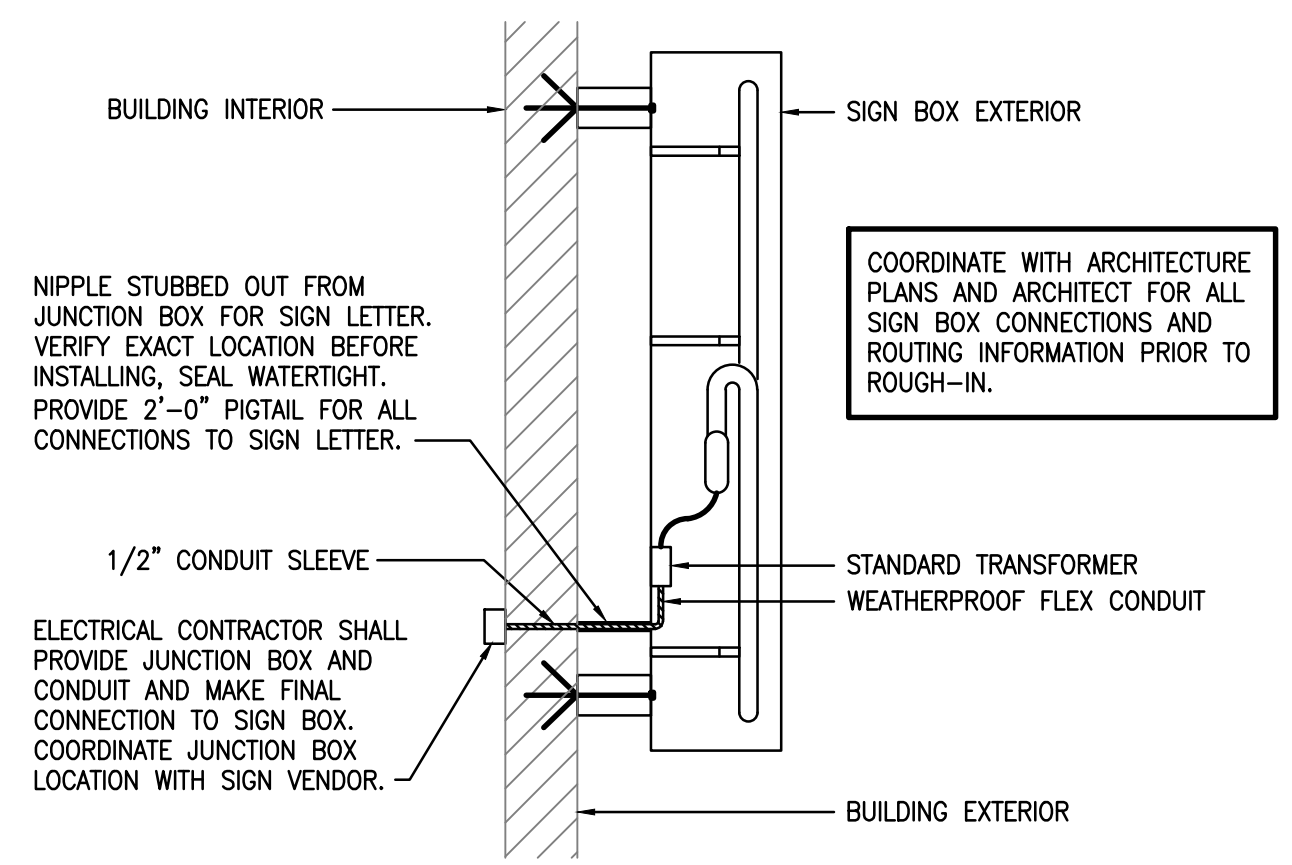
SHEET NAME:
ELECTRICAL DETAILS

NOTE: THIS DOCUMENT MAY HAVE BEEN ELECTRONICALLY TRANSMITTED. IF UNSIGNED, IT CANNOT BE FILED FOR PUBLIC RECORD. PUBLIC RECORD FILINGS REQUIRE SIGNED AND SEALED DOCUMENTS.

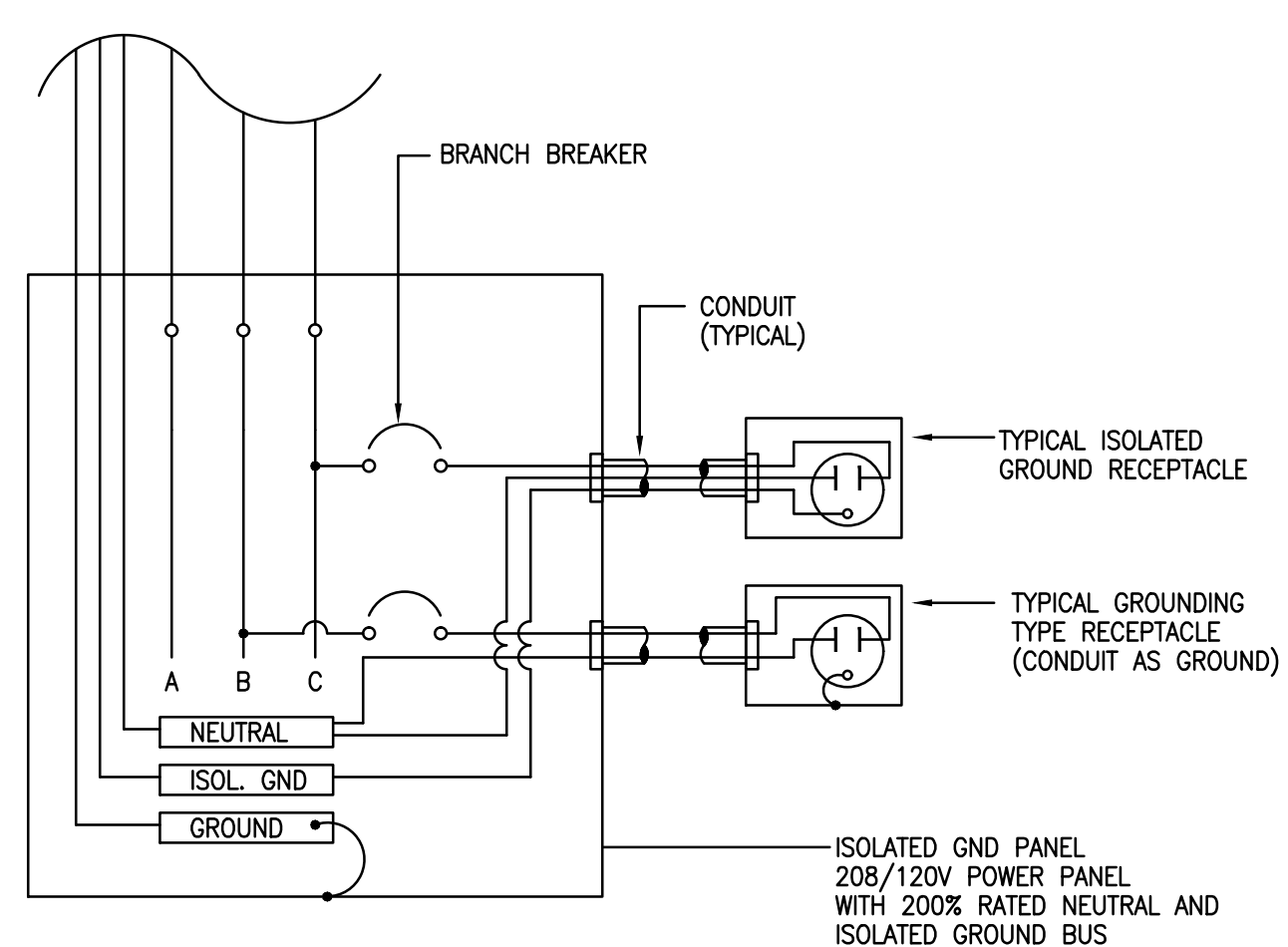
REFRIGERATED CASES: ELECTRICAL CONTRACTOR SHALL FURNISH ALL MATERIALS SHOWN FOR THE REFRIGERATION CONTRACTOR. REFRIGERATION CONTRACTOR TO MAKE FINAL CONNECTIONS TO REFRIGERATED CASES.
 GENERAL EQUIPMENT: ELECTRICAL CONTRACTOR SHALL FURNISH ALL MATERIAL SHOWN AND MAKE ALL FINAL CONNECTIONS.



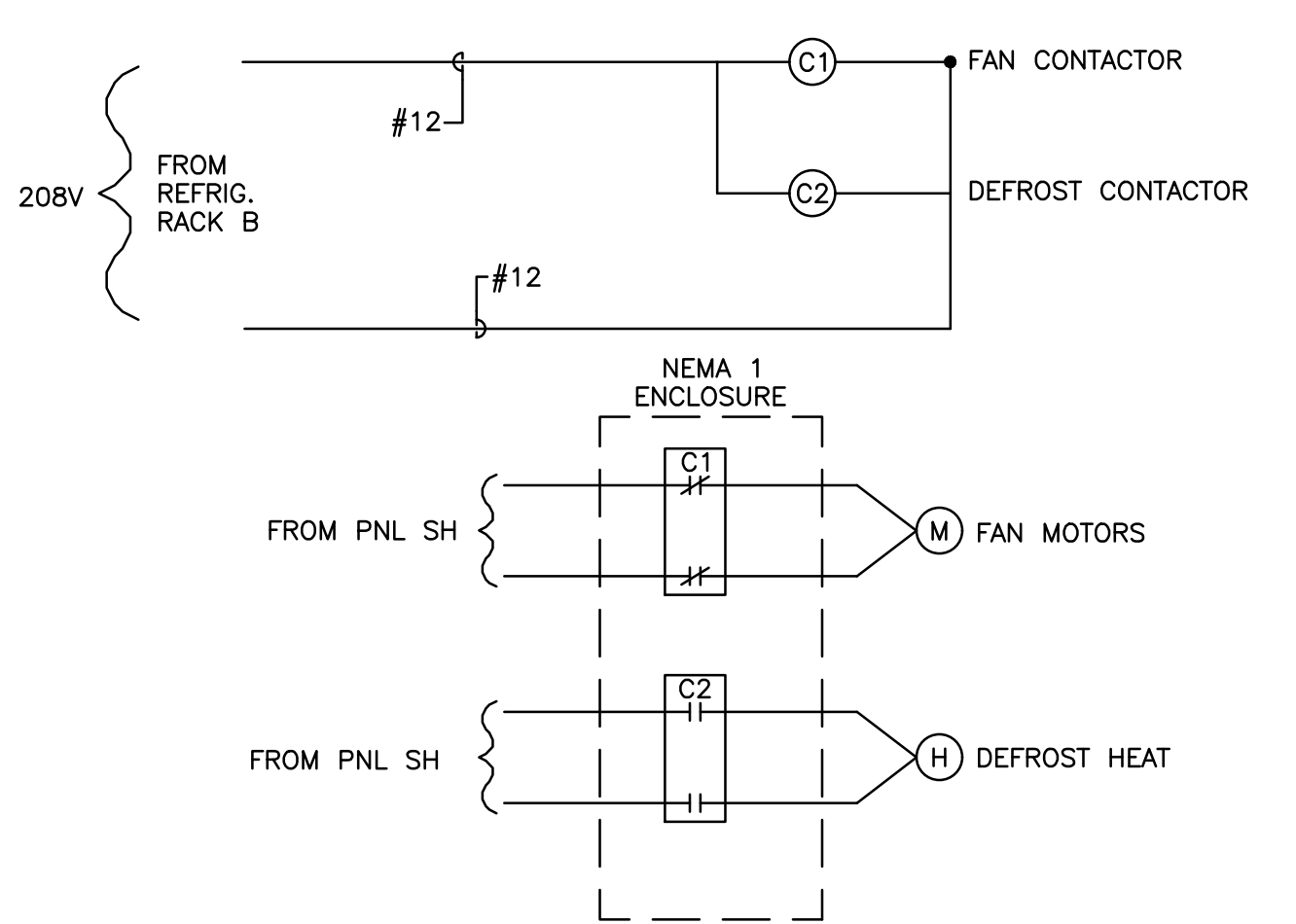
FINAL CONNECTION DETAIL
 NOT TO SCALE.



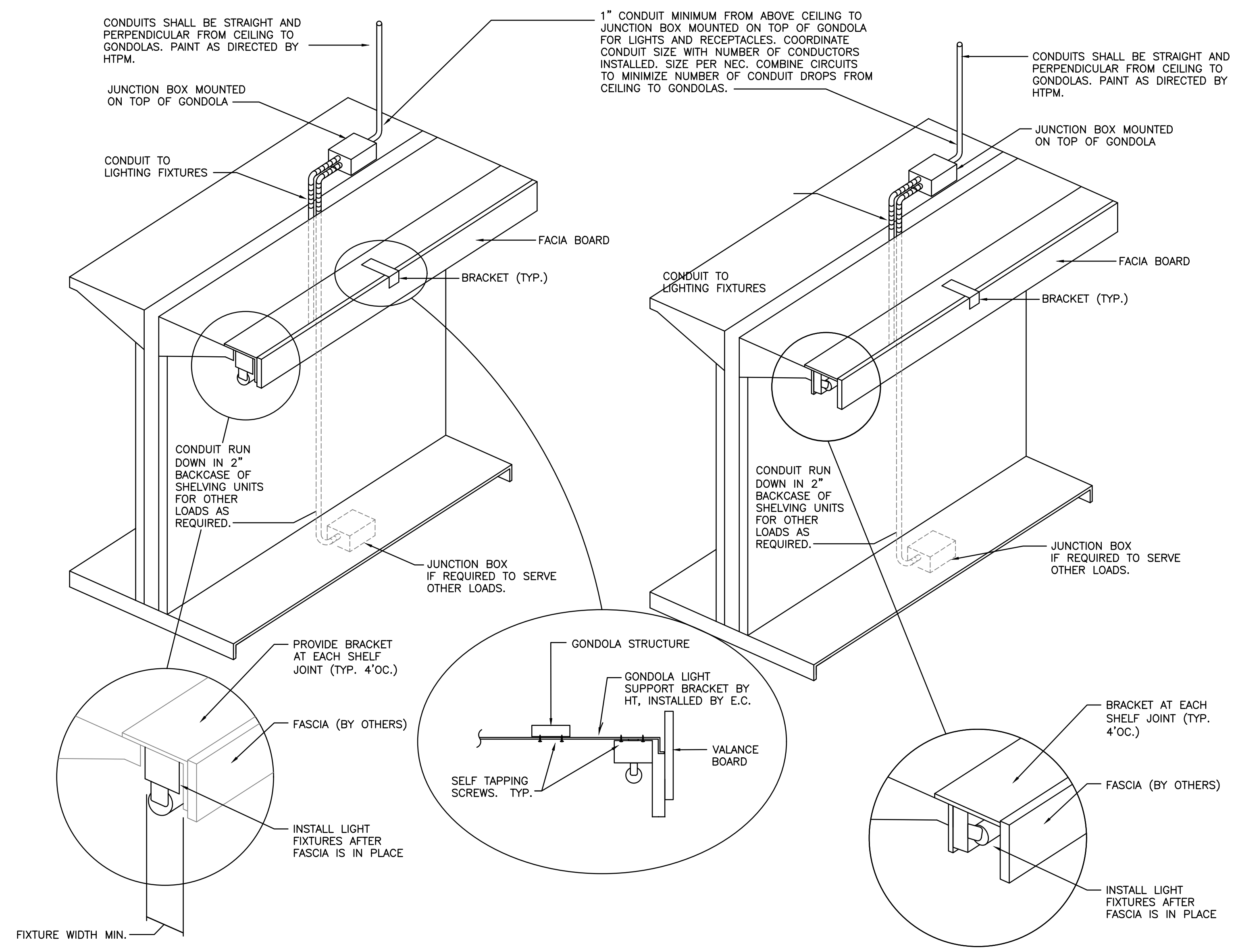
SIGN BOX DETAIL
 NOT TO SCALE.



ISOLATED GND. DETAIL
 NOT TO SCALE.



MEAT COOLER & SEAFOOD COOLER EVAPORATOR WIRING DIAGRAM
 NOT TO SCALE.



GONDOLA WIRING DETAIL
 NOT TO SCALE.