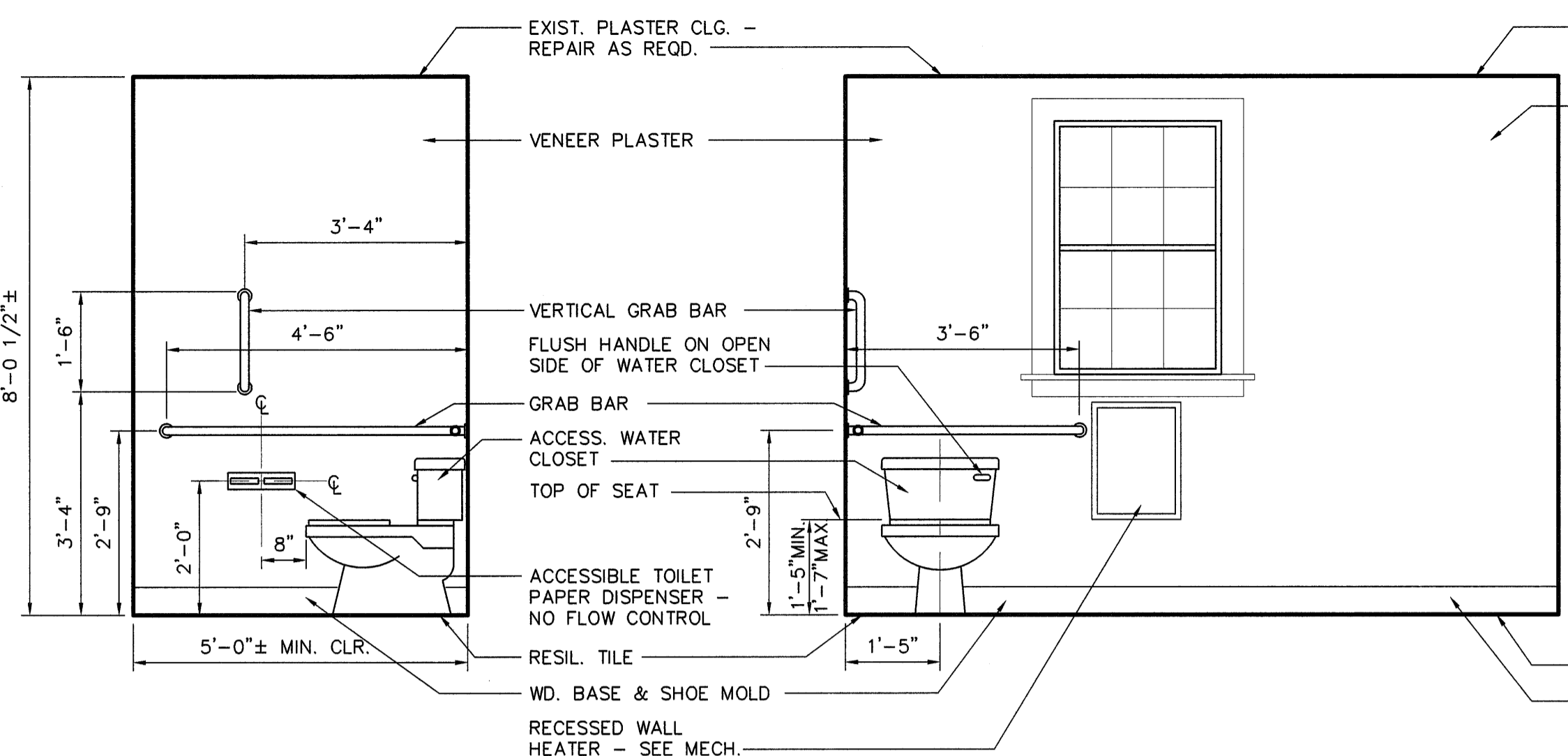
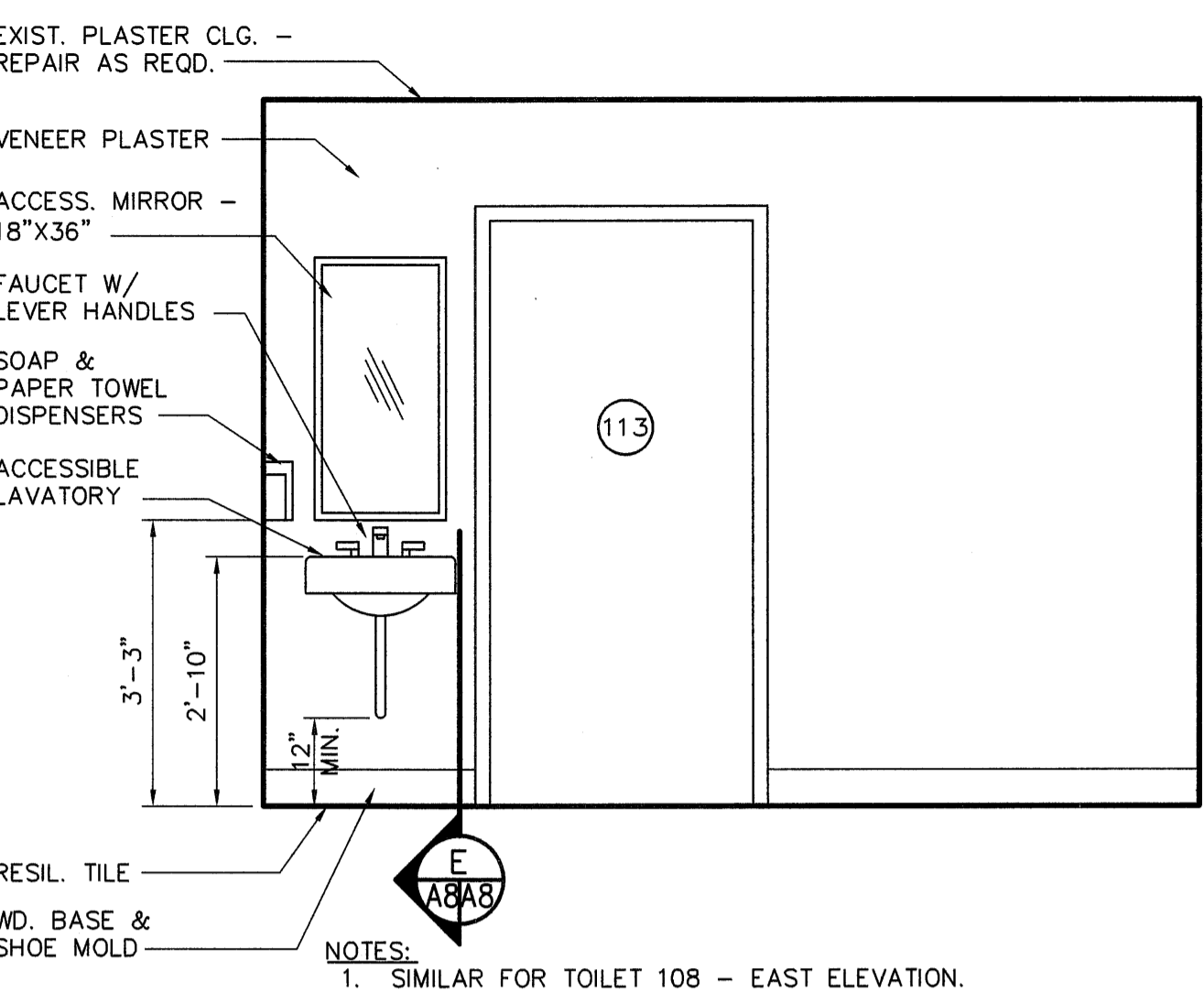


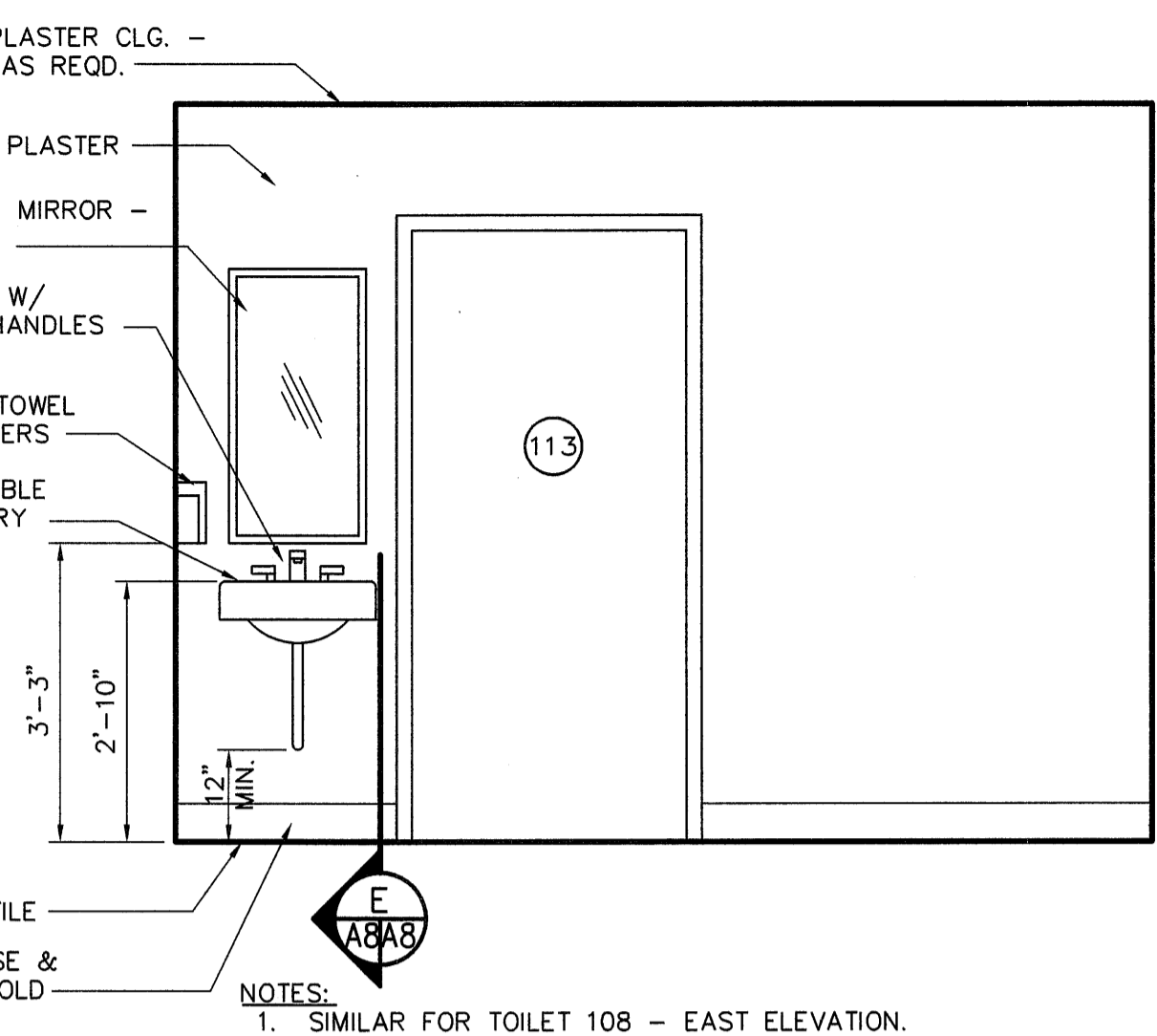
**A ENLARGED TOILET PLAN**  
 A2/A8 SCALE: 1/2" = 1'-0"



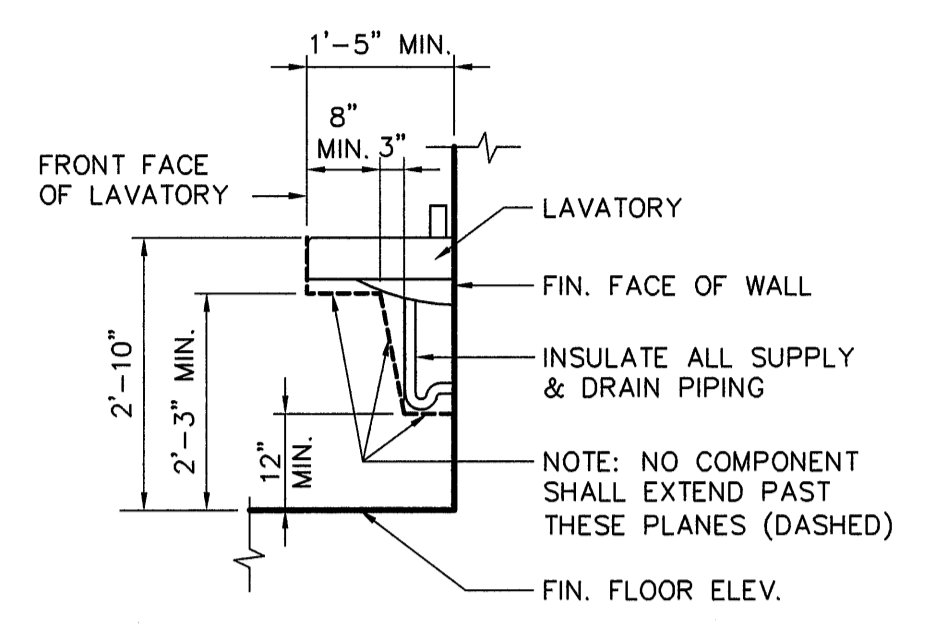
**B TOILET 117 - NORTH ELEV.**  
 A8/A8 SCALE: 1/2" = 1'-0"



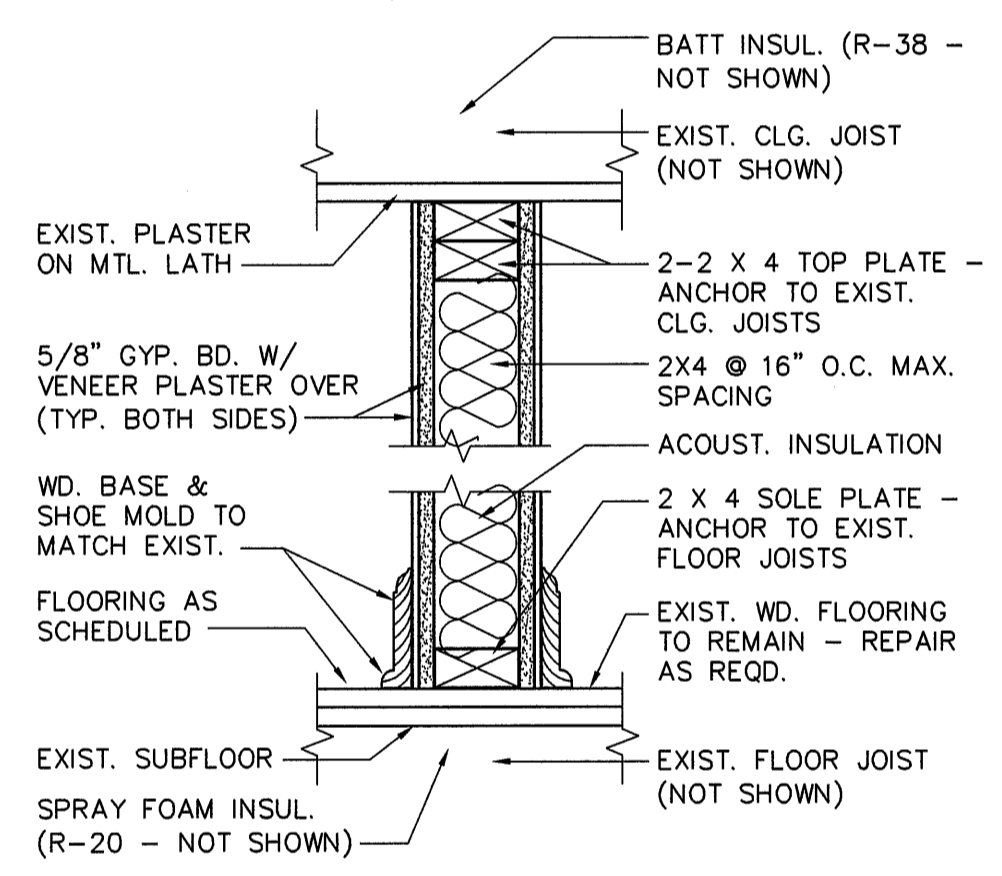
**C TOILET 117 - EAST ELEV.**  
 A8/A8 SCALE: 1/2" = 1'-0"



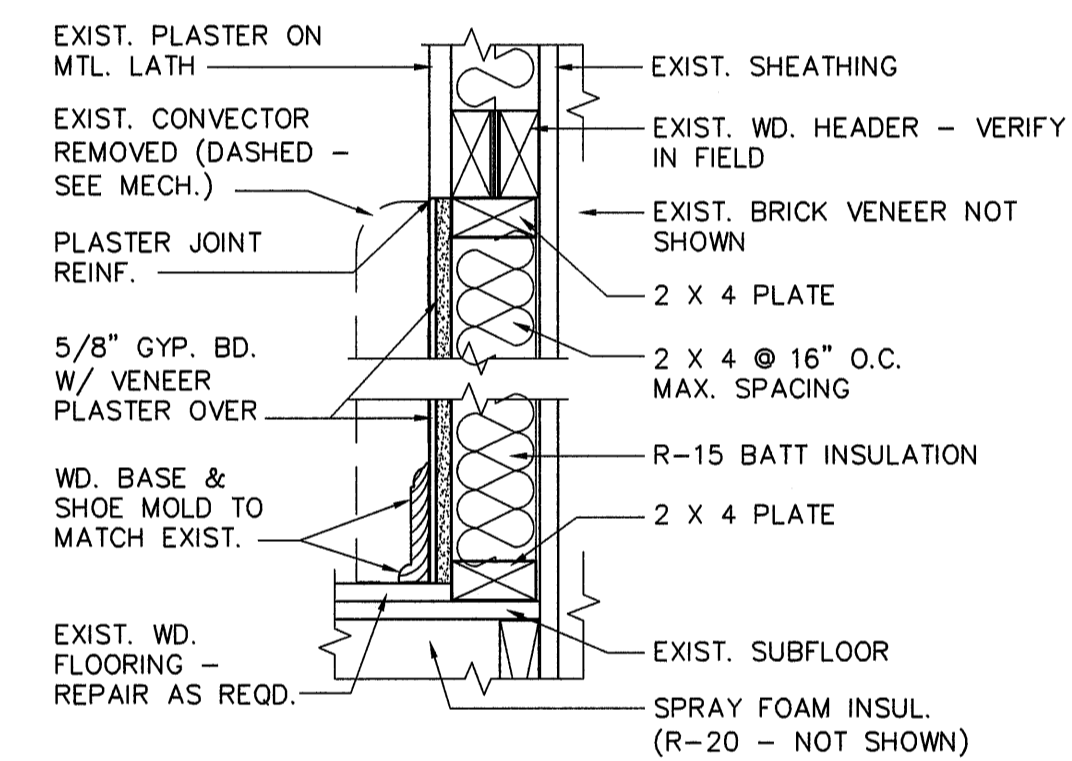
**D TOILET 117 - WEST ELEV.**  
 A8/A8 SCALE: 1/2" = 1'-0"



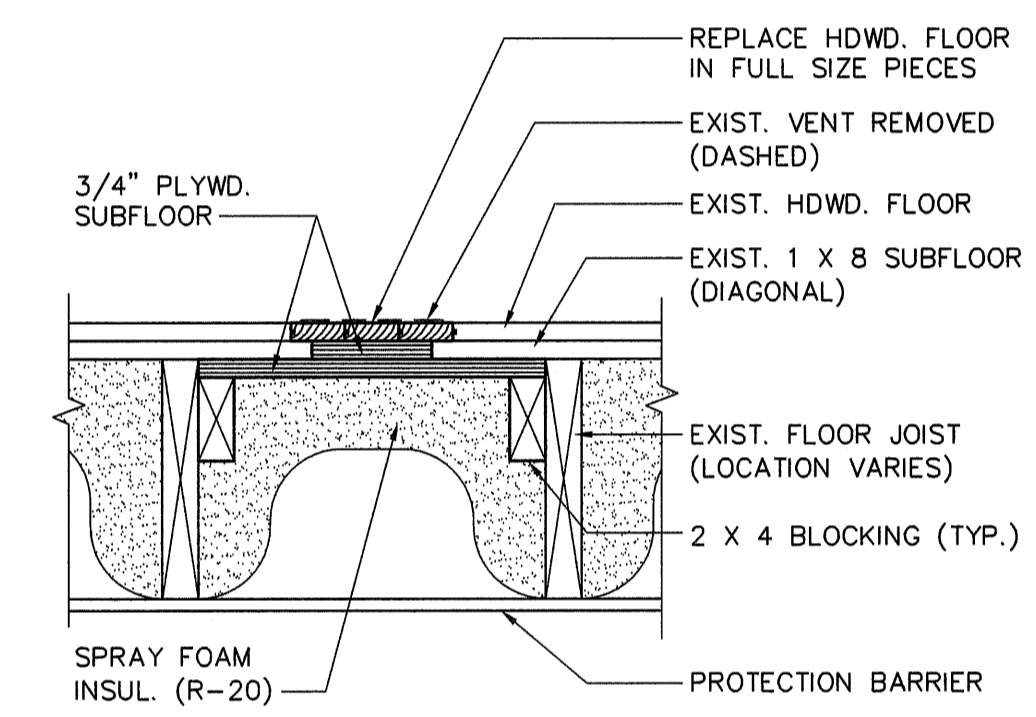
**E ACCESSIBLE LAVATORY CLEARANCE DETAIL**  
 A8/A8 SCALE: 1/2" = 1'-0"



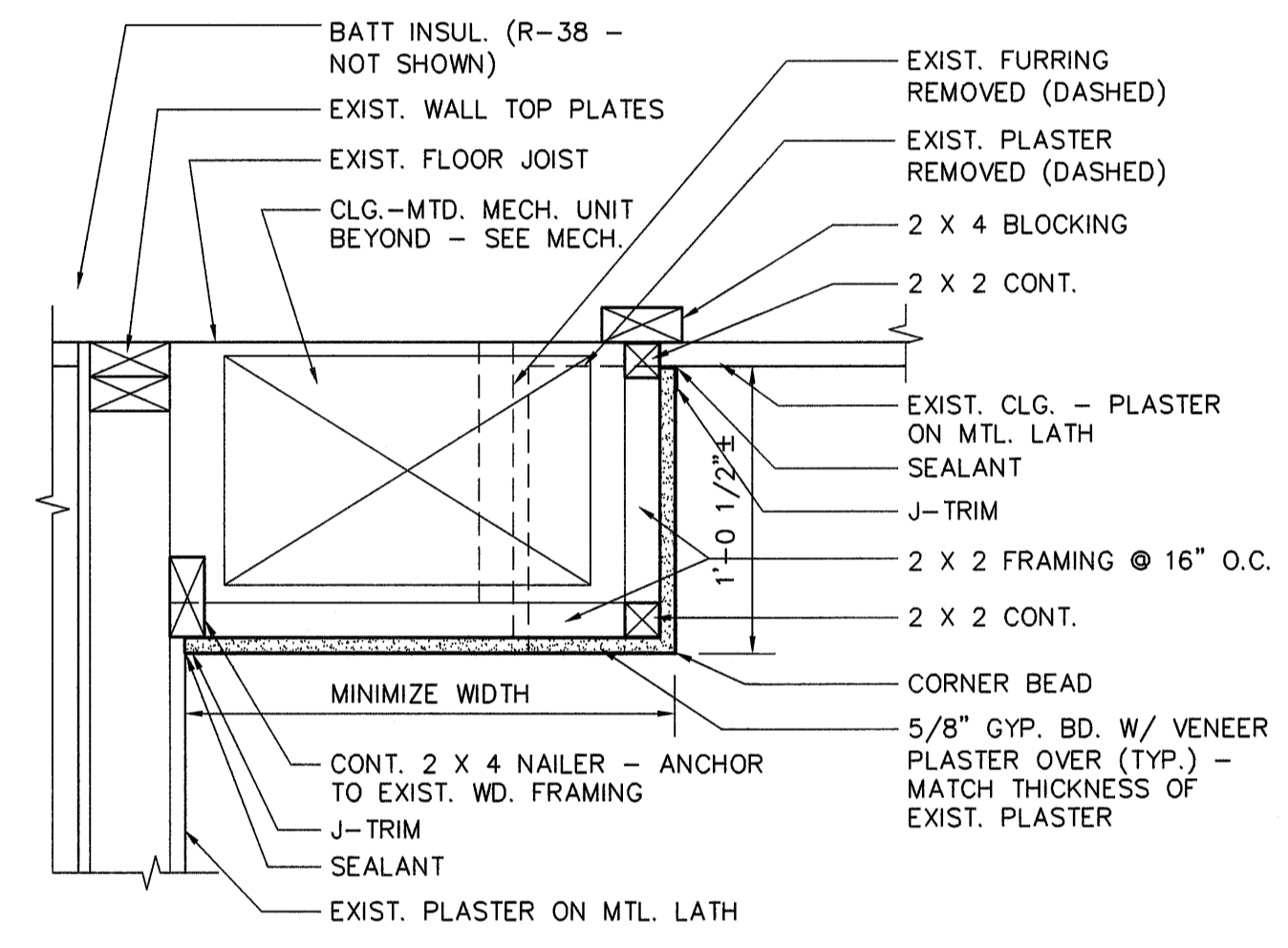
**F PARTITION DETAIL**  
 A2/A8 SCALE: 1 1/2" = 1'-0"



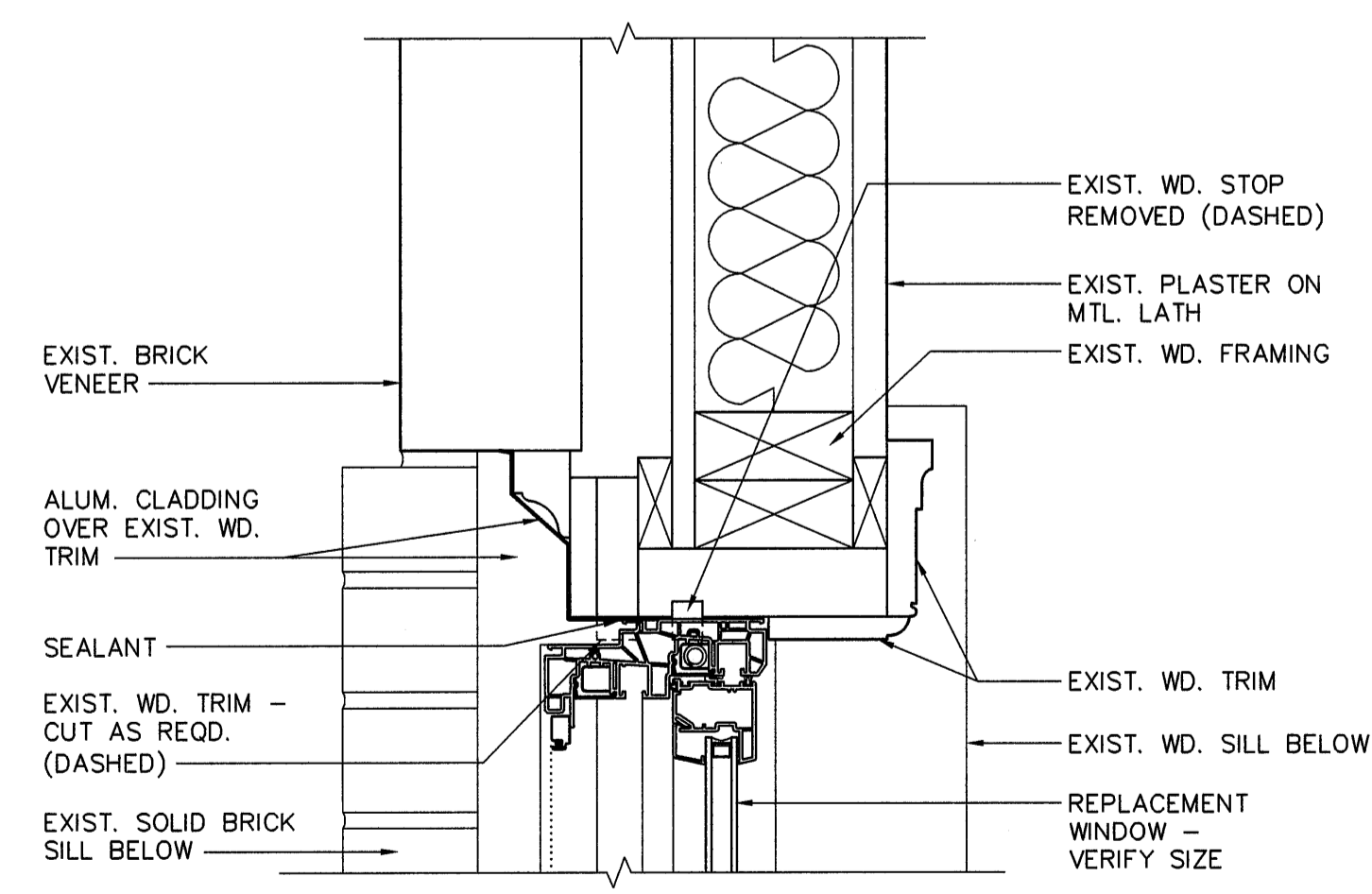
**G WALL REPAIR DETAIL**  
 A2/A8 SCALE: 1 1/2" = 1'-0"



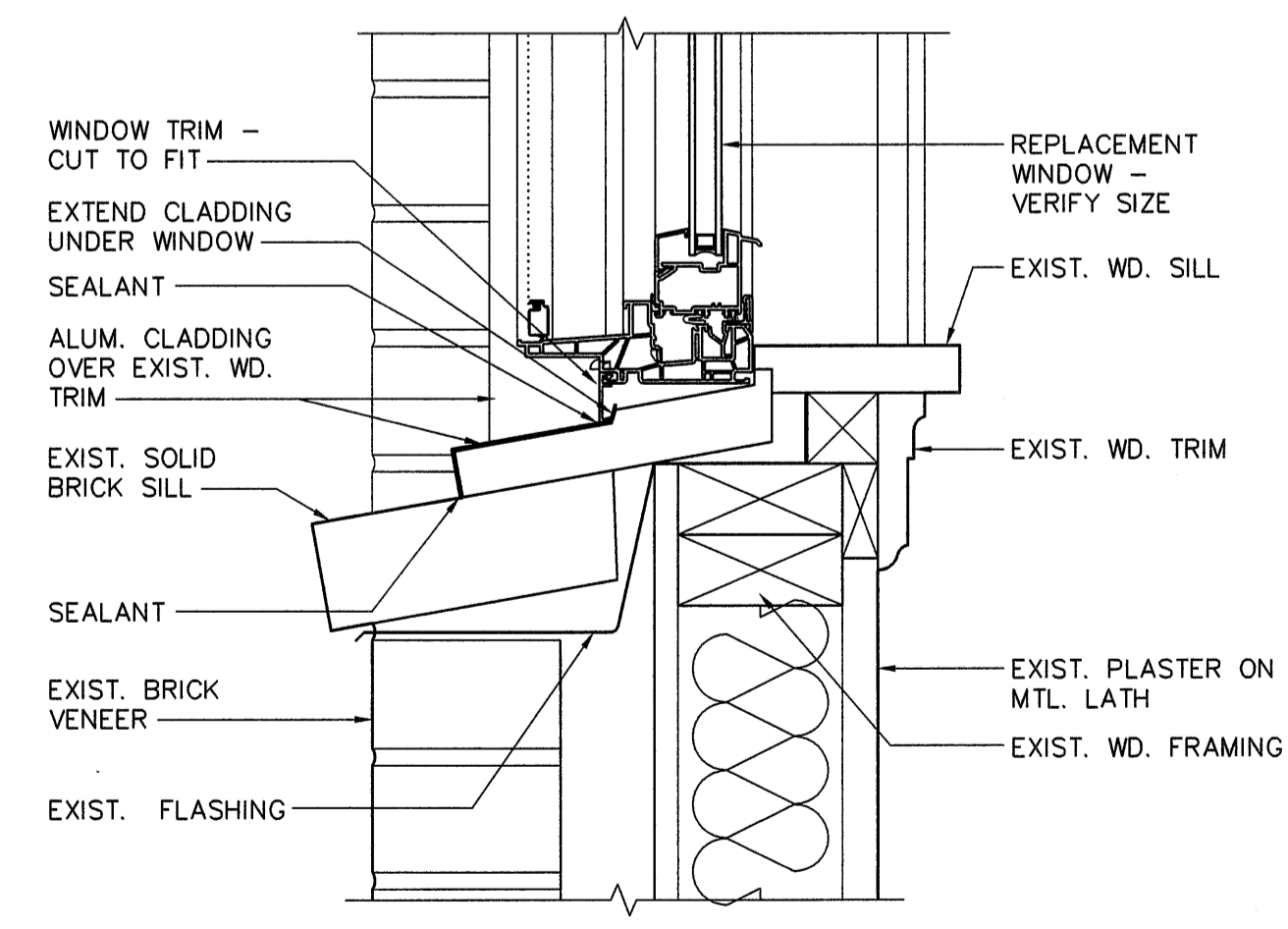
**H FLOOR REPAIR DETAIL**  
 A2/A8 SCALE: 1 1/2" = 1'-0"



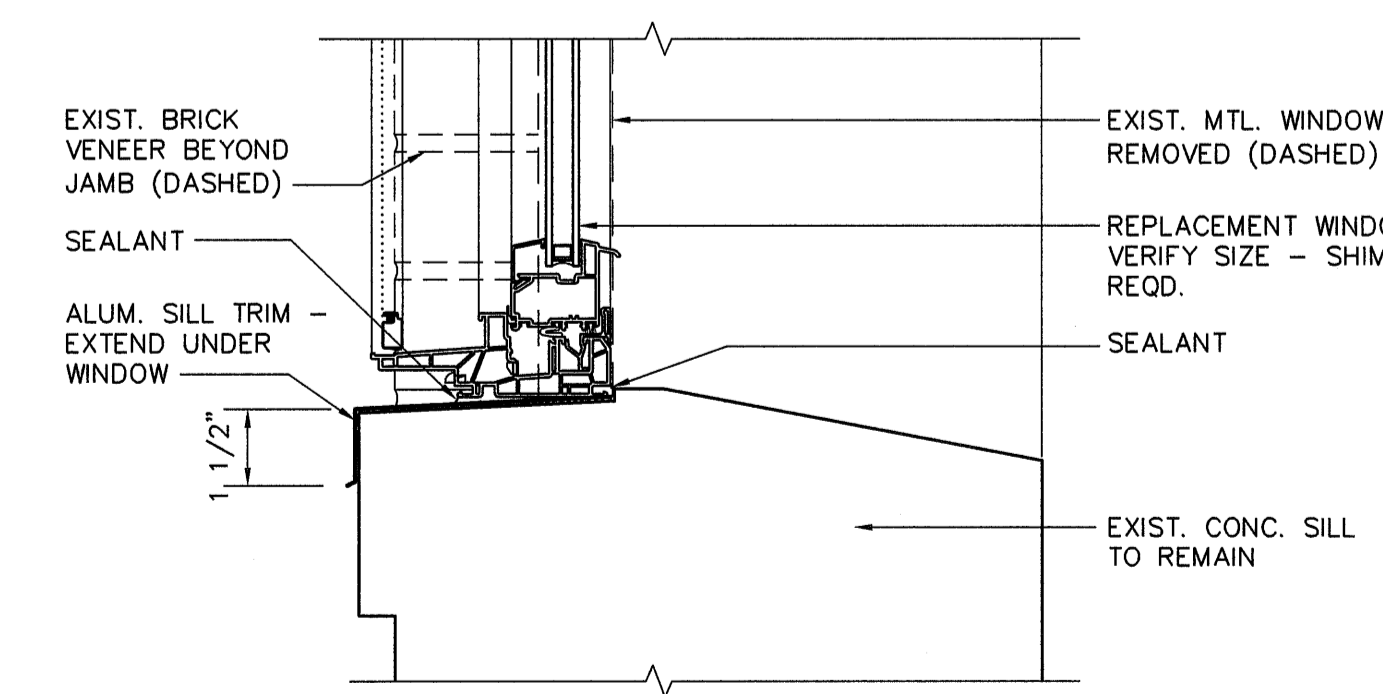
**J BULKHEAD DETAIL - OFFICE 204**  
 A3/A8 SCALE: 1 1/2" = 1'-0"



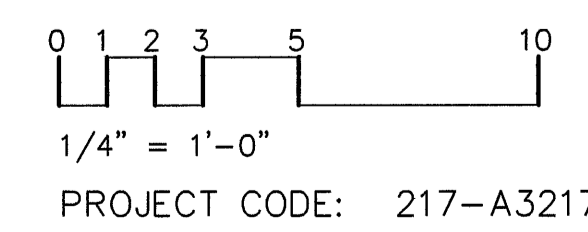
**K WINDOW JAMB DETAIL**  
 A5/A8 SCALE: 3" = 1'-0"



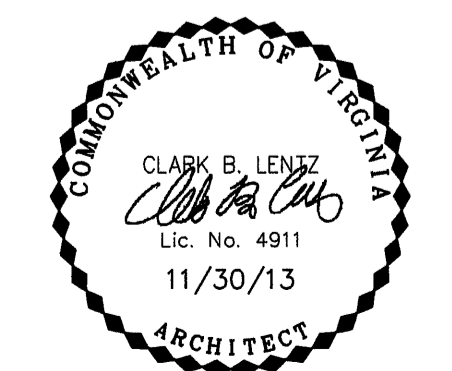
**L WINDOW SILL DETAIL**  
 A5/A8 SCALE: 3" = 1'-0"



**M BASEMENT WINDOW SILL DETAIL**  
 A1/A8 SCALE: 3" = 1'-0"



PROJECT CODE: 217-A3217-023



DATE  
 REVISIONS

RENOVATIONS for  
**BUCHANAN HOUSE**  
 Radford University - Radford, Virginia

DESIGNED BY:  
 CBL  
 DRAWN BY:  
 DAR  
 CHECKED BY:  
 CBL

The Architects Alliance Inc.  
 Blacksburg, Virginia  
 540 951-4853

PROJECT NO:  
 125442  
 DATE:  
 11/30/13

**A8**